

PRODUCT SPECIFICATIONS

PL20 PARLOR Vent Free Fireplace System



ACTUAL DIMENSIONS

19-1/2" W x 31-7/8" H x 10-1/2" D

TECHNICAL INFORMATION

Max. Btu Input: 20,000 BTU/HR

Thermal Efficiency: Up to 99%

Framing Dimensions: 20" W x 32-18" H x 10" D

Fireplace Opening: 17-3/8" W x 22-1/4" H

Wall Cabinet Dimensions: 46-3/4" W x 82" H x 17" Top Depth to Wall

Corner Cabinet Dimensions: 45" W x 82" H x 31" Top Depth to Corner

Viewing Area: 353 Sq. In.

Accent Light

Ceramic Fiber Log Set

Millivolt Control Operation

CSA Design Certified

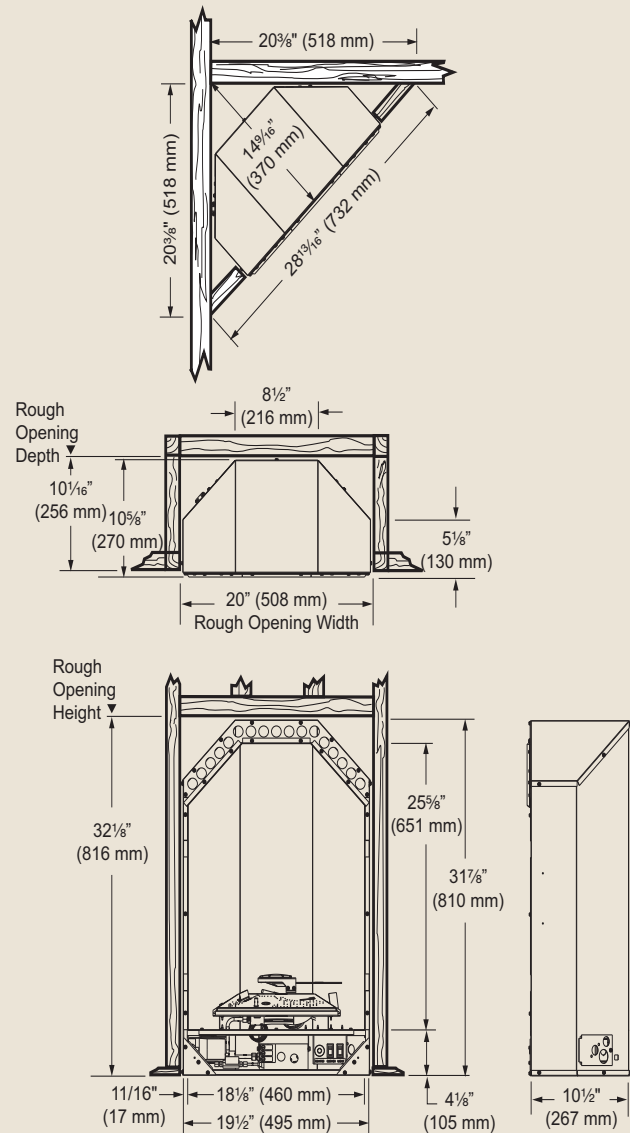
FIELD INSTALLED ACCESSORIES

Wood cabinets in flush and corner configurations in two finishes (Unfinished and Dark Walnut)

Removable screen front

Arched Fronts (one required): Classic Arch Textured Black Front (PLCAFTB) Classic Arch Iron Age Front (PLCAFIA) Colonial Arch Textured Black Front (PLCOLAFTB) and Colonial Arch Iron Age Front (PLCOLAFIA)

Firebrick Liners (one required): Adobe Arched Firebrick Liner (PLAAFBA); Tuscan Arched Firebrick Liner (PLTAFBA); Cobble Fieldstone Arched Firebrick Liner (PLCFAFBA) and Grey Cobble Fieldstone Arched Firebrick Liner (PLGCFAFBA)



A Brand of Monessen Hearth Systems Co.
149 Cleveland Drive, Paris, Kentucky 40361

www.monessenhearth.com



To avoid personal injury or property damage, the product described by this brochure must be installed, operated and maintained in strict compliance with the instructions packaged with the product and all applicable building or fire codes. Contact local building or fire officials about restrictions and installation inspection requirements. All photographs and drawings on this brochure are for illustrative purposes only and are not intended for, nor should they be used as a substitute for the instructions packaged with the unit. Appearance and specifications of the product are subject to change without notice. © 2010 Monessen Hearth Systems Co.