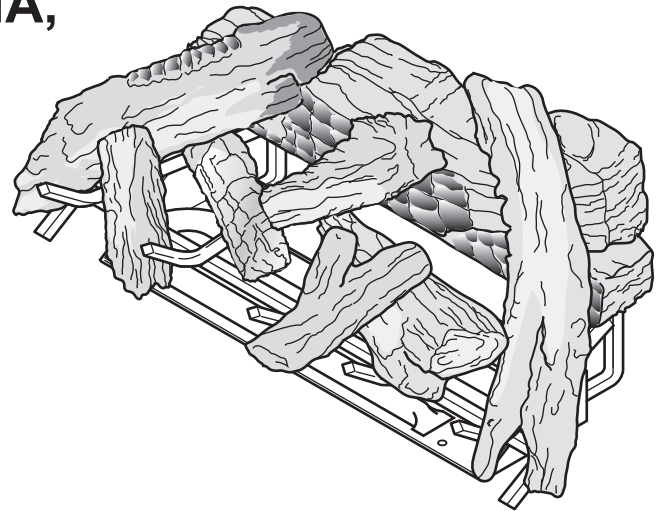




Vented Gas Log Set

Models: VWF18NA, VWF24NA,
VWF30NA, VWF36NA



WARNINGS

If the information in this manual is not followed exactly, a fire or explosion may result causing property damage, personal injury or loss of life.

- Do not store or use gasoline or other flammable vapors and liquids in the vicinity of this or any other appliance.
- **WHAT TO DO IF YOU SMELL GAS**
 - Do not try to light any appliance.
 - Do not touch any electrical switch; do not use any phone in your building.
 - Immediately call your gas supplier from a neighbor's phone. Follow the gas supplier's instructions.
 - If you cannot reach your gas supplier, call the fire department.
- Installation and service must be performed by a qualified installer, service agency or the gas supplier.

This gas log set is to be installed only in a solid-fuel burning fireplace with a working flue constructed of noncombustible material.

Installation and Operating Instructions



INSTALLER: Leave this manual with the appliance.
CONSUMER: Retain this manual for future reference.

Thank you and congratulations on your purchase of an MHSC Log Set.

PLEASE READ THE INSTALLATION AND OPERATION INSTRUCTIONS BEFORE USING THE APPLIANCE!

IMPORTANT: Read all instructions and warnings carefully before starting installation.

Failure to follow these instructions may result in a possible fire hazard and will void the warranty.

Important Safety Information	3	Operating Instructions	45
Product Specifications	4	SPK and CVTHL kits	45
Logset & Burner Dimensions	4	For Your Safety Read Before Lighting.....	45
Minimum Hearth Dimensions	4	Manual Control (SPK)	45
Getting Started	5	Hi/Lo control (CVTHL).....	45
Burner - Grate Assembly 18", 24", 30", 36".....	5	Millivolt Control	46
18", 24", 30", 36" Logs	5	Operating Instructions for MANVK Kits	47
Items for Installation	5	For Your Safety Read Before Lighting.....	47
Minimum Free Opening Area of		Manual Control Lighting Instructions.....	47
Chimney Damper for Venting	5	To Turn Off Gas to Heater	47
Minimum chimney Height and Flue Opening	5	Flame Appearance	48
Placement in a Fireplace with a Restrictive Barrier 6		Check Burner Flames	48
Installation	7	Pilot Flame Appearance	48
Damper Stop Installation.....	7	Fireplace Draft Test	49
Before Installing the Appliance.....	7	Remote Control Receiver Replacement	50
Installation for Gas Valve Kits	8	Cleaning and Servicing	50
Supplemental Instructions:		Replacement Parts	51
SPL-NGA/SPL-LPA.....	8	Assembly.....	51
MANVK	10	Massive Oak Logs.....	52
MVVKLPA.....	10	American Oak Logs.....	53
MVVKNA	10	Birch Logs	53
CVTHL-NG.....	11	Split River Oak Logs	53
CVTHL-LP.....	11	Split Pine Logs	54
Wiring (Millivolt)	12	Weathered Pine Logs.....	55
Connect the Gas	13	Massachusetts Requirements	58
Log Placement	14	Warranty	59
Filling the Burner Pan.....	14		
Placement of Glowing Embers (Rock Wool)	14		
Placement of Decorative Volcanic Rock	14		
VWF18MO (Massive Oak)	14		
VWF24MO (Massive Oak)	16		
VWF30MO (Massive Oak)	17		
VWF36MO (Massive Oak)	19		
VWF18AO (American Oak).....	21		
VWF24AO (American Oak).....	22		
VWF30AO (American Oak).....	23		
VWF24B (Birch)	25		
VWF24/18SRO (Split River Oak)	26		
VWF30/24SRO (Split River Oak)	28		
VWF36/30SRO (Split River Oak)	30		
VWF18SPA (Split Pine)	32		
VWF24SPA (Split Pine)	35		
VWF30SPA (Split Pine).....	37		
VWF24/18WP (Weathered Pine)	39		
VWF30/24WP (Weathered Pine)	41		
VWF36/30WP (Weathered Pine)	43		

INSTALLER

Please leave these instructions with the appliance.

IMPORTANT

Read these instructions carefully before installing or trying to operate this vent-free gas heater.

OWNER

Please retain these instructions for future reference.

WARNING

This product must be installed by a licensed plumber or gas fitter when installed within the Commonwealth of Massachusetts.

WARNING

- **Any change to this heater or its controls can be dangerous.**
- **Improper installation or use of the heater can cause serious injury or death from fire, burns, explosion or carbon monoxide poisoning.**
- **Do not allow fans to blow directly into the stove. Avoid any drafts that alter burner flame patterns.**
- **Do not use a blower insert, heat exchanger insert or other accessory, not approved for use with this heater where applicable.**

1. The installation, combustion and ventilation air must conform with local codes or, in the absence of local codes, with the National Fuel Gas Code, ANSI Z223.1.
2. Installation and repair should be done by a qualified service person. MHSC Vented Gas Logs must be installed only in a masonry or a UL 127 solid-fuel fireplace with minimum venting requirements, see installation section.
3. To prevent malfunction, gas log set and flue should be cleaned at least annually by a professional service person. More frequent cleaning may be required due to excessive lint from carpeting, etc. It is imperative that control compartments, burners and circulating air passageways be kept clean.
4. **A damper clamp must be installed to provide the minimum permanent vent opening to vent flue products, Refer to installation instructions.**
5. Never burn solid fuels in a fireplace where a gas log set is installed.
6. ***This appliance must NOT be used with glass doors in the closed position.*** A fireplace screen must be in place when the log set is burning. Provisions for adequate combustion air must be provided. Adequate combustion air usually results in all flames curling into the fireplace away from screen and up the flue.
8. Keep room area clear and free from combustible materials, gasoline and other flammable vapors and liquids.
9. Children and adults should be alerted to the hazard of high surface temperature and should stay away to avoid burns or clothing ignition.
10. Young children should be carefully supervised when they are in the same room with the gas log set in operation.

11. Do not place clothing or other flammable material near the fireplace when the gas logs are in use.
12. Do not use this gas log set if any part has been underwater. Immediately call a qualified service technician to inspect the gas logs and replace any part of the control system and any gas control which has been under water.
13. The gas log set must be isolated from the gas supply piping system by closing its individual manual shutoff valve during any pressure testing of the gas supply piping system at test pressures equal to or less than 1/2 psig (3.5kPa).
14. Secure gas log set to fireplace.
15. This log set will burn off the paint on the front grate bar. **Note: See cleaning section for refurbishing.**
16. LP sets must be installed with SPK-LP or MVVKLP kits.
17. **FOR MASSACHUSETTS RESIDENTS ONLY:**

Installation of this vented gas log in the Commonwealth of Massachusetts requires the damper be permanently removed or welded in the full open position. In addition, a naturally vented gas log may not be installed in a bedroom or bathroom in the Commonwealth of Massachusetts. Flex line installation must not exceed 36".

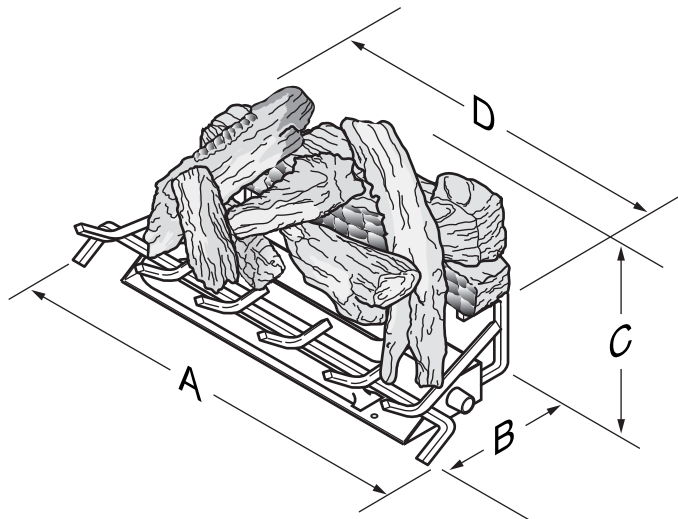
WARNING

This appliance is for installation only in a solid fuel burning fireplace (masonry fireplace or manufactured fireplace)



We recommend that our gas hearth products be installed and serviced by professionals who are certified in the U.S. by the National Fireplace Institute® (NFI) as NFI Gas Specialists.

WARNING Never connect unit to private (non-utility) gas wells. This gas is commonly known as wellhead gas.



Model	A	B	C	D
VWF18NA	18"	12"	12½"	16½"
VWF24NA	24"	12"	14"	20"
VWF30NA	30"	11"	18"	26"
VWF36NA	36"	12"	20"	28"

Figure 1 - Logset & Burner Dimensions

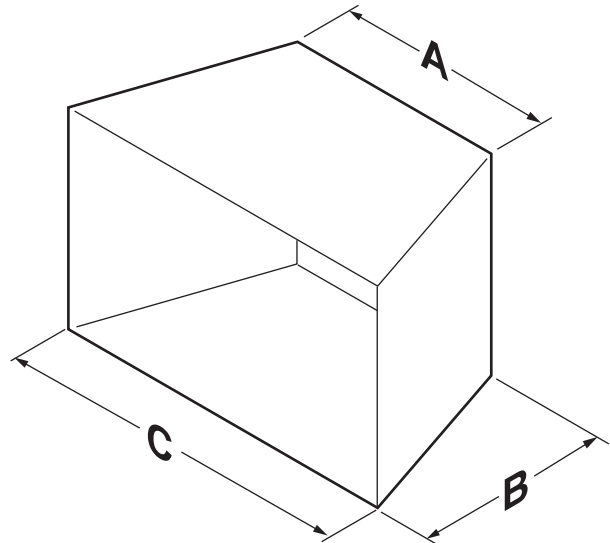
The minimum inlet gas supply pressure is 4" for natural and 10" for LP.

The maximum inlet gas supply pressure for this log set is 10" for natural and 13" for LP.

Nominal Rates (BTU/Hr)

VWF18NA	80,000	VWF30NA	90,000
VWF24NA	90,000	VWF36NA	90,000

NOTE: Actual performance, flame height, BTU/Hr will vary with specific installation, gas pressure, shutoff valve position (fully open), valve type, and firebox draft conditions.



Minimum Hearth Dimensions*

Model	A	B	C
VWF18NA	17"	13"	20"
VWF24NA	23"	13"	26"
VWF30NA	24"	13"	32"
VWF36NA	36"	13"	34"

*For SPK and CVTHL Kits, add 4" to C and A Dimensions.

For MVVK Kit, add 8" to C and A Dimensions.

For SRO and WP logs, add 8" to C and A dimensions with or without any control valve.

Figure 2 - Minimum Hearth Dimensions

MAKE SURE YOU HAVE RECEIVED ALL PARTS

Check your packing list to verify that all listed parts have been received. You should have the following:

BURNER - GRATE ASSEMBLY 18", 24", 30", 36"

- Burner and Grate Weldment Assembly
- Lava Rocks (x2)
- Reducer
- Glowing Embers (Rock Wool)
- Damper Clamp
- Injector
- Installation /Operating Instructions
- Vermiculite
- 3/8" Aluminum Tube with 3/8"
- Shield Plate
- 90° Elbow, 1/2" to 3/8" tube fitting

18", 24", 30" OR 36" CERAMIC FIBER OR REFRACTORY LOGS

- Individual Logs
- Installation Instructions

Carefully inspect the contents for shipping damage. If any parts are missing or damaged, immediately inform the dealer from whom you purchased the appliance. **Do not attempt to install any part of the appliance unless you have all parts in good condition.**

ITEMS REQUIRED FOR INSTALLATION

Ensure that the following items are available before proceeding with installation:

- External regulator (for propane/L.P.G. only)
- Shutoff valve
- Pipe wrench
- Piping which complies with local codes
- Drill with masonry bit (for mounting to the floor)
- Pipe sealant approved for use with propane/L.P.G. (Resistant to sulfur compounds)

WARNING	<ul style="list-style-type: none"> • Handle the gas log burner assembly by the grate only. Do not pick the unit up by the burner. • Gloves are recommended when handling ceramic fiber logs to prevent skin irritation from loose fibers. Logs are fragile — handle with care.
----------------	--

MINIMUM FREE OPENING AREA OF CHIMNEY DAMPER FOR VENTING

WARNING	<p>The fireplace and gas logs function as a system. If the fireplace is not drafting properly and spilling into the room (check with a match or a smoke stick), reposition the damper clamp until the positive draft is obtained by opening the damper. If negative pressure in home prevents having a positive draft, contact your dealer for assistance.</p>
----------------	--

MINIMUM CHIMNEY HEIGHT AND FLUE OPENING

Chimney Height	Flue Opening
6'	64 sq in
8'	64 sq in
10'	64 sq in
15'	51 sq in
20'	51 sq in
30'	51 sq in

IMPORTANT INFORMATION FOR THE INSTALLATION OF THIS GAS LOG SET

The following are guidelines for placing a VWF log set with SPK, MVVK, or CVTHL kit in a fireplace that has a restrictive barrier along the bottom front opening of the fireplace. Some examples of barriers are glass/screen door frames and sunken/recessed fireplaces.

Height of Restriction (X)	Minimum Depth of Fireplace/Firebox
No Restriction	13" - SPK (Manual Control)
	13½" - MVVK (Millivolt Control) and MXVK (Hi/Lo Control)
0 to 1½"	15"
Greater than 1½" to 3"	15"
Greater than 3"	Any barrier greater than three inches (3") placed in front of the gas log set is not recommended by the manufacturer

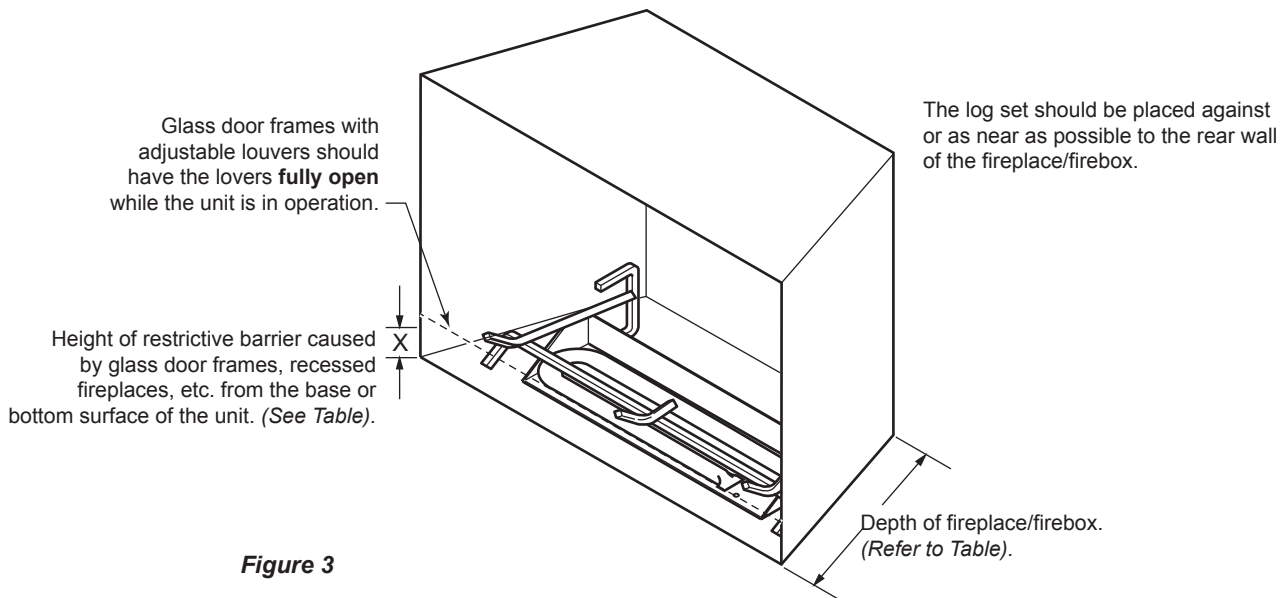


Figure 3

WARNING Barriers such as the bottom of a glass door frame placed in front of a gas log set can change the air flow characteristics of the fireplace which in turn can cause the unit to overheat and malfunction. Any deviation from the installation guidelines on this sheet will potentially void the warranty.

CAUTION If the fireplace has a restrictive barrier and is equipped with a remote receiver, it must be placed outside. Refer to Remote Control Receiver Replacement page 49.

NOTE: Non combustible material such as refractory brick may be used to line the floor of the fireplace in order to raise the height of the gas log set in relation to a restrictive barrier.

INSTALL AND OPERATE THE APPLIANCE AS DIRECTED IN THIS MANUAL.

DAMPER STOP INSTALLATION

A damper stop must be provided with the unit. The damper stop must be installed as shown in *Figure 4* to prevent full closure of the fireplace damper blade and provide a minimum flue opening, *per table on page 5*.

Should the clamp not fit, or provide the required permanent opening from the table, have the damper cut to provide a minimum permanent opening or install a permanent stop.

FOR MASSACHUSETTS RESIDENTS ONLY: Installation of this vented gas log in the Commonwealth of Massachusetts requires the damper be permanently removed or welded in the full open position. In addition, a naturally vented gas log may not be installed in a bedroom or bathroom in the Commonwealth of Massachusetts.

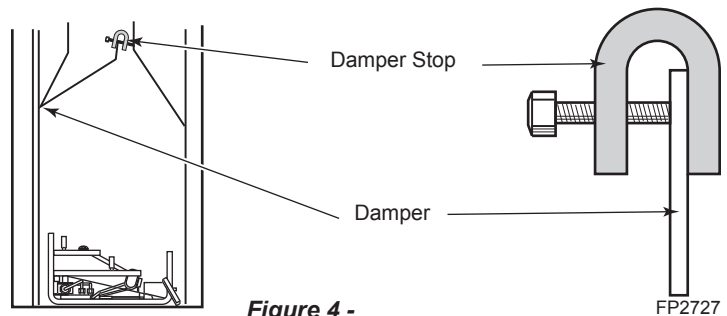


Figure 4 - Damper Stop Installation

In compliance with ANSI Z21.60-CGA2.26 and National Fuel Gas Code, Section 6.

BEFORE INSTALLING THE APPLIANCE

- Turn off gas supply to fireplace or firebox.
- Clean fireplace floor and chimney before installing log set. Seal any ash. Clean out doors to protect the unit from down drafts.

ASSEMBLY PROCEDURE

1. Place grate/burner assembly into firebox with the front pan facing forward.
2. Drill two (2) 5/32" diameter holes approximately 1½" deep.
3. Anchor the front pan to the floor using the screws provided.

Proper installation of the grate is essential to prevent any movement of the gas logs and controls during operation.

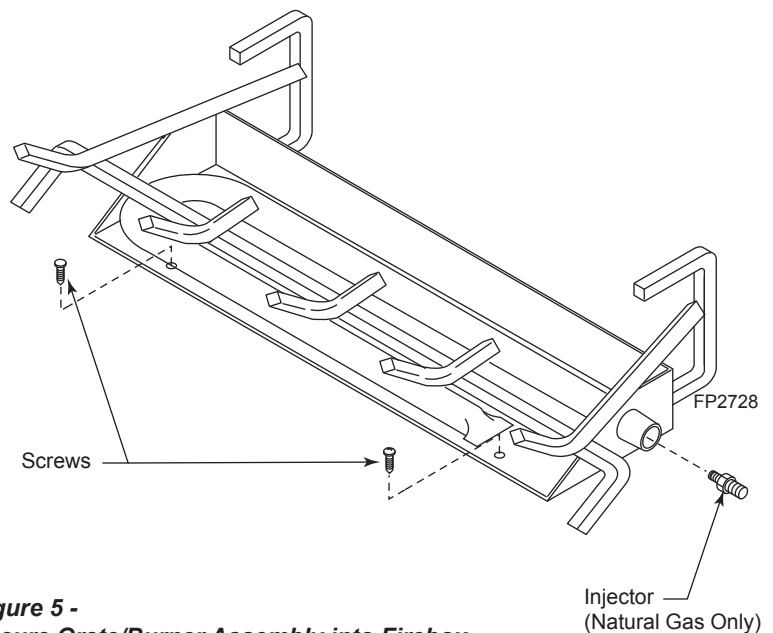


Figure 5 - Secure Grate/Burner Assembly into Firebox

SUPPLEMENTAL INSTRUCTIONS FOR SPK-NGA/SPK-LPA

WARNING LP sets must be installed with a SPK or MVVKLP Kit which includes the air mixing nut and vermiculite. The natural gas orifice must be removed.

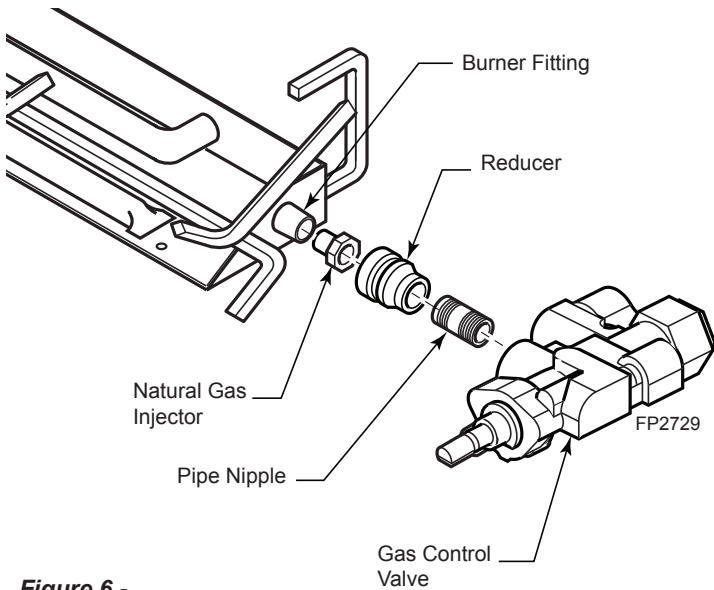


Figure 6 - Connect Valve to Unit (Natural Gas Only)

Adjust pilot flame to cover thermocouple

SPK-NGA Kit Includes

- Valve
- Pilot (Configured for NG)
- Pipe Nipple
- Heat Shield
- Knob Extenders

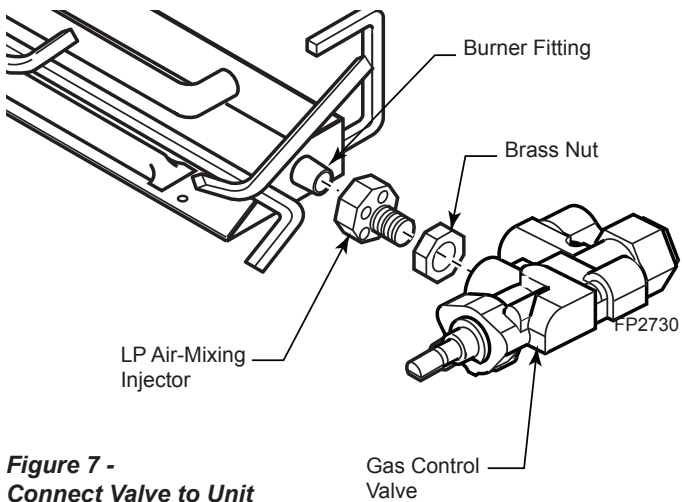
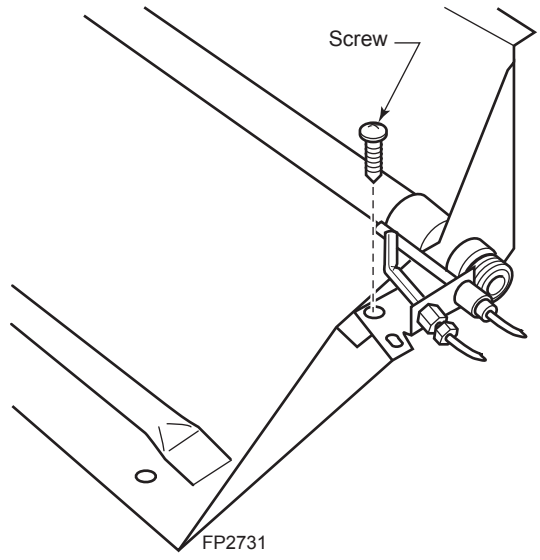


Figure 7 - Connect Valve to Unit (LP Only)

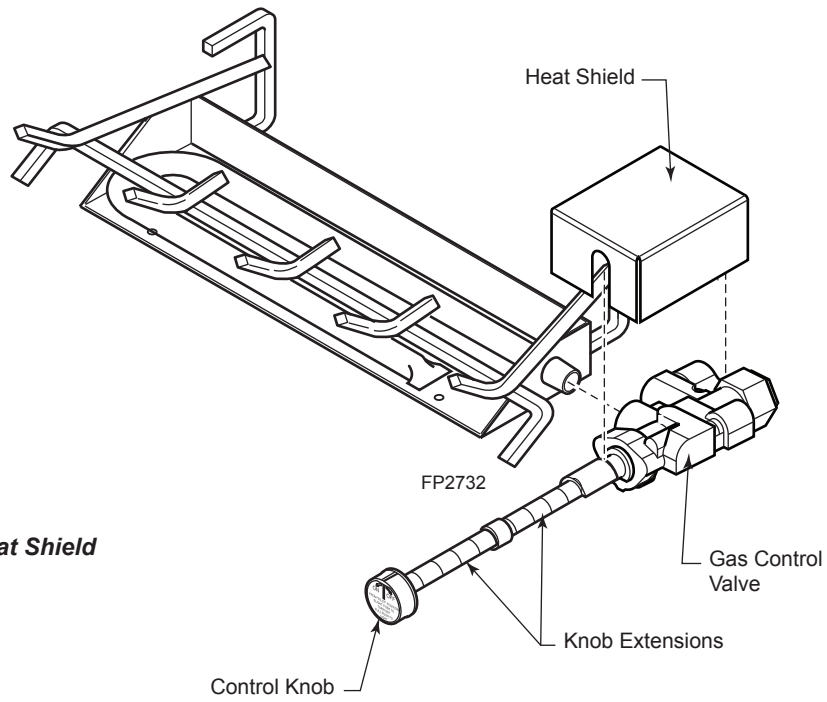
SPK-LPA Kit Includes

- Valve
- Pilot (Configured for LP)
- Air Mixing Nut
- Brass Nut
- Heat Shield
- Knob Extenders

The Safety Pilot Kit attaches to the burner pan as shown above. Use soapy water when checking all fittings for leaks.

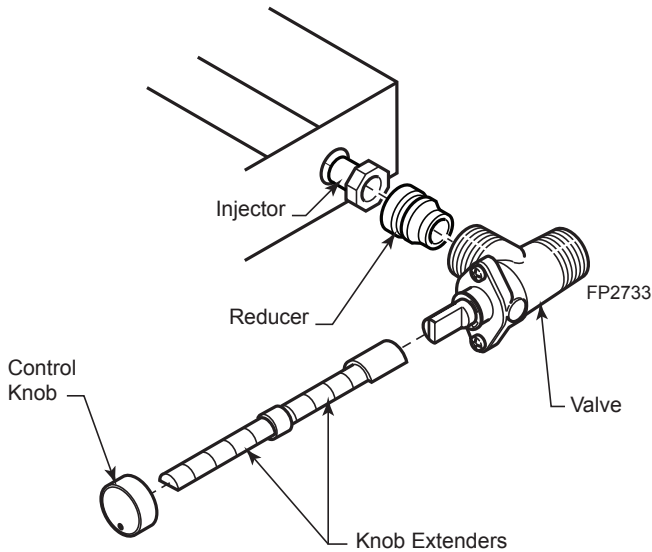


**Figure 8 -
Install Pilot**



**Figure 9 -
Install Heat Shield**

SUPPLEMENTAL INSTRUCTIONS FOR MANVK



WARNING

The MANVK kit is for Natural Gas Only

MANVK Kit Includes

- Valve
- Knob Extenders
- Control Knob

Figure 10 - MANVK

SUPPLEMENTAL INSTRUCTIONS FOR MVVKLPA

MVVKLPA Kit Includes

- Valve Assembly
- Pilot
- Heat Shield
- Air Mixing Injector
- Vermiculite
- Brass Nut

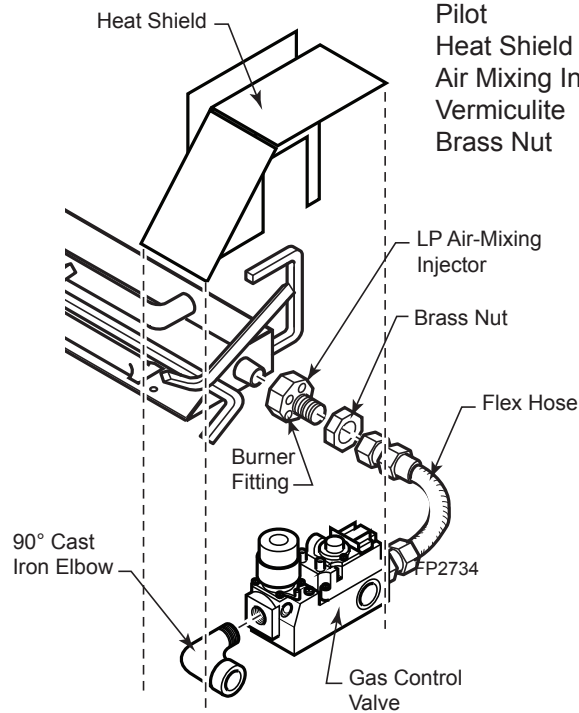


Figure 11 - MVVKLPA

SUPPLEMENTAL INSTRUCTIONS FOR MVVKNA

MVVKNA Kit Includes

- Valve Assembly
- Pilot
- Heat Shield
- Pipe Nipple

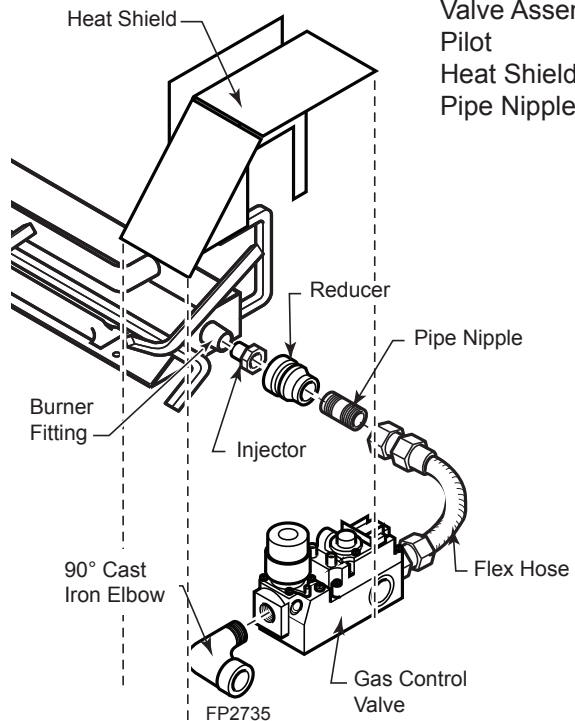


Figure 12 - MVVKNA

SUPPLEMENTAL INSTRUCTIONS FOR CVTHL-NG

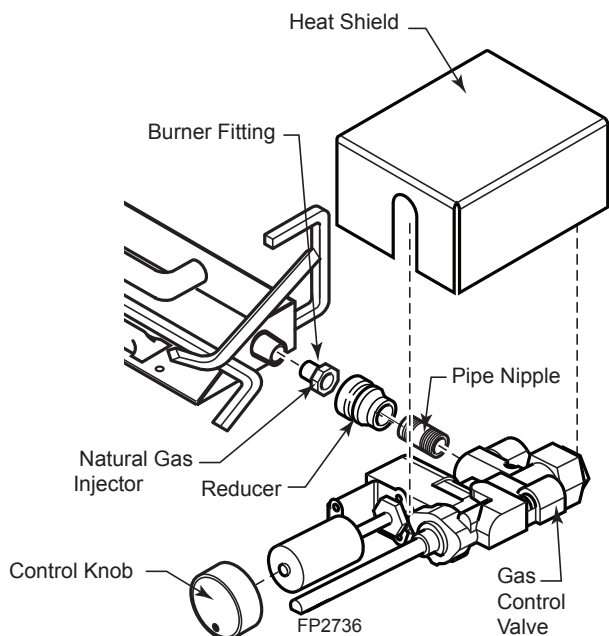


Figure 13 - CVTHL-NG Connecting Valve to Unit (Natural Gas only)

CVTHL-NG Kit Includes

- Valve
- Pilot for NG
- Pipe Nipple
- Knob Extender
- Heat Shield
- Self Tapping Screws
- Pilot Bracket

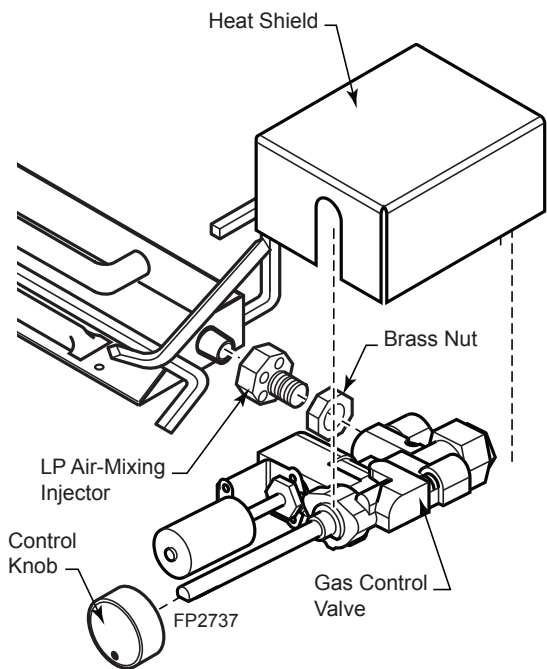


Figure 14 - CVTHL-LP Connecting Valve to Unit (LP only)

CVTHL-LP Kit Includes

- Valve
- Pilot for LP
- Brass Nut
- Vermiculite
- LP Air-Mixing Injector
- Knob Extender
- Heat Shield
- Self Tapping Screws
- Pilot Bracket

WARNING Label all wires prior to disconnection when servicing controls. Wiring errors can cause improper and dangerous operation. Verify proper operation after servicing

WARNING Do not connect to 110 Volt supply

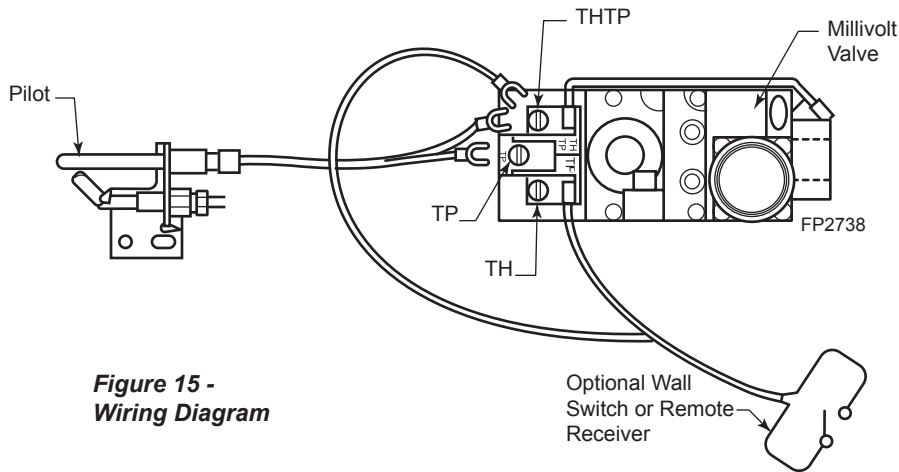


Figure 15 - Wiring Diagram

The Millivolt (thermopile) is a self powered combination gas control that does not require 110VAC to operate. See Figure 15 and installation instructions provided with optional wall switch or remote control for wiring instructions. A maximum length of 15 feet of 18 awg two conductor wire is to be used for wall switch. Note switches must be suitable for Millivolt operation. The optional wall switch and remote receiver must be mounted outside the firebox.

WARNING Keep wiring away from heat source and hot surfaces.

CHECKING SYSTEM OPERATION

The Millivolt system and individual components may be checked with a Millivolt meter having a 0-1000MV range. Conduct each check shown in chart below by connection meter test leads to terminals as indicated.

Check Test	To Test	Connect Meter Leads to Terminals	Meter Reading Should Be
A	Complete System	TH & TH/TP	Min. 100 mV
B	Thermopile Output	TYP & THTP	Min. 325 mV

A. COMPLETE MILLIVOLT SYSTEM CHECK
 ("A" READING - CONTACTS CLOSED - CONTROL KNOB "ON" - MAIN BURNER SHOULD BE COME ON)

- a. If the reading is more than 100 Millivolts and the automatic valve still does not come on — replace the control.
- b. If the closed circuit reading ("A" reading) is less than 100 Millivolts, determine cause for low reading — proceed as follows:

B. THERMOPILE OUTPUT READING CHECK
 ("B" READING - CONTACTS OPEN - MAIN BURNER OFF)

- a. 325 Millivolts minimum. If the minimum Millivolt reading is not obtainable, readjust pilot for maximum Millivolt output. If Millivolt reading is still below minimum specified, replace thermo-pile.

NOTICE NOTICE: A qualified gas appliance installer must connect the appliance to the gas supply. Consult all local codes before installation.

WARNING Connecting directly to an unregulated propane/LPG tank can cause an explosion.

CAUTION Use new black iron pipe, steel pipe, copper tubing, or internally tinned copper tubing. Copper or internally tinned copper tubing can only according to the National Fuel Gas Code, section 2.6.3, providing gas meets sulfide limits, and where permitted by local codes. Gas piping system must be sized to provide minimum inlet pressure at the maximum flow rate (BTU/Hr). Undue pressure loss will occur if the pipe is too small.
A manual shutoff valve must be installed upstream of the appliance. Union tee and plugged 1/8" NPT pressure tapping point should be installed upstream of the appliance. See Figure 16.

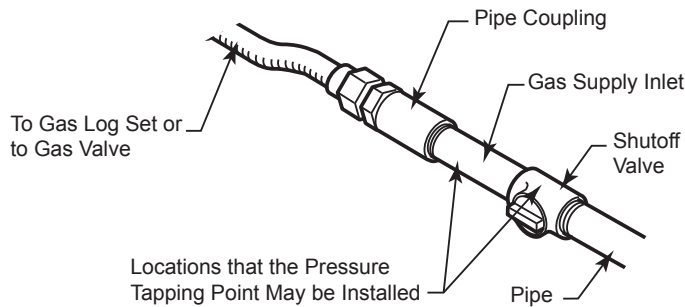


Figure 16 - Gas Connection

IMPORTANT: Hold appliance firmly with a wrench to prevent movement when connecting to inlet piping.

Always use an external regulator for all propane/LPG gas logs only, to reduce the supply tank pressure to a maximum of 13" w.c.

FILLING THE BURNER PAN

Fill the burner pan with vermiculite to the bottom of the rear log and sloped to the front edge of the burner pan. Excess vermiculite can spill forward or to the side of the burner pan. Do not overfill the propane model. Do not cover the pilot (if SPK or MVVK is installed) with vermiculite or rock wool (embers).

PLACEMENT OF GLOWING EMBERS (ROCK WOOL)

The Wildfire flame appearance can vary due to differences in draft and fireplace configurations and ember placement. After installing rear (#1) and front logs (#2 and #3), cover the entire top surface of the vermiculite in the burner pan with the rock wool supplied with unit. Tear the rock wool into pieces approximately 1/2" in size (roughly the size of a nickel) and cover the burner evenly. Do not use more rock wool than the amount supplied with the unit. To enhance the appearance of the Wildfire flame, it is recommended to form a mound of rock wool in the center of the burner, 2" to 3" high, visible through the two front logs.

PLACEMENT OF DECORATIVE VOLCANIC ROCK

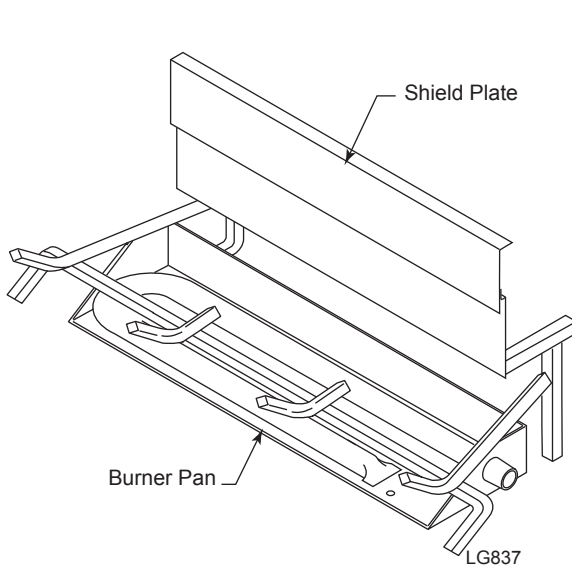
Sprinkle volcanic rock in front of front glowing embers and to both sides.

DO NOT SPRINKLE ON BURNERS, EMBER BED, PILOT OR LOGS.

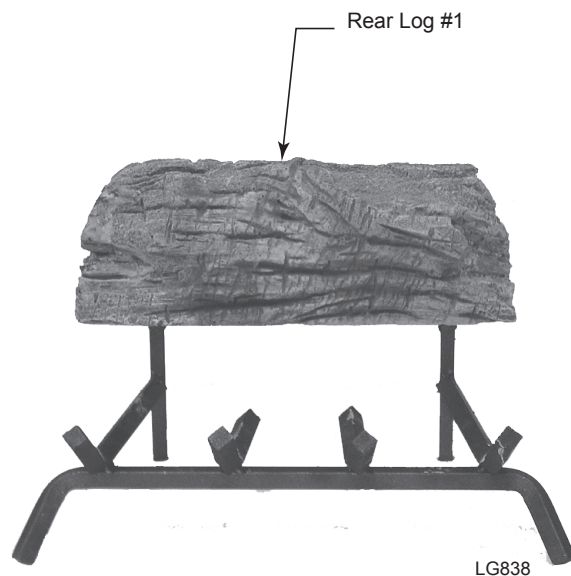
IMPORTANT: Do not handle logs with your bare hands! Always wear gloves to prevent skin irritation from ceramic fibers. After handling logs, wash your hands gently with soap and water to remove any traces of fibers.

VWF18 MASSIVE OAK LOGS

1. Slide shield plate behind burner pan. *Figure 17.*
2. Center rear log #1 on grate bars and flush with rear of the grate. *Figure 18.*



**Figure 17 -
Slide Shield Plate Behind Burner Pan**



**Figure 18 -
Center Rear Log #1 on Grate Bars**

- 3. Place front left log #2 on the front of the grate and to the left. *Figure 19*
- 4. Place front right log #3 on the front of the grate and to the right. *Figure 19*

NOTE: Allow 2" between the back log and the two front logs.

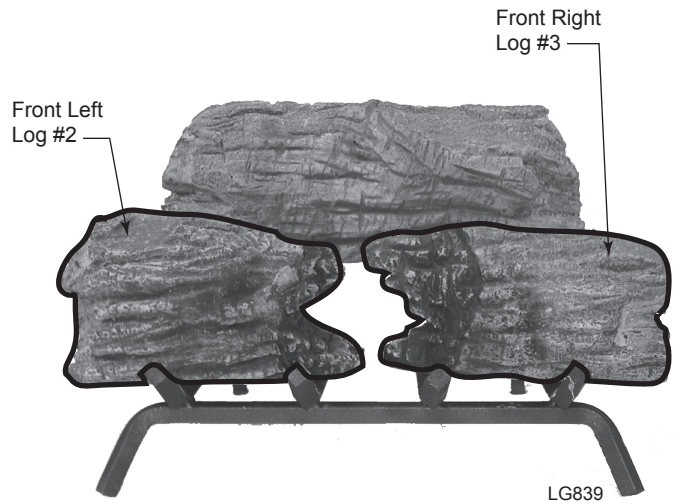


Figure 19 - Place Front Left and Right Logs on Grate

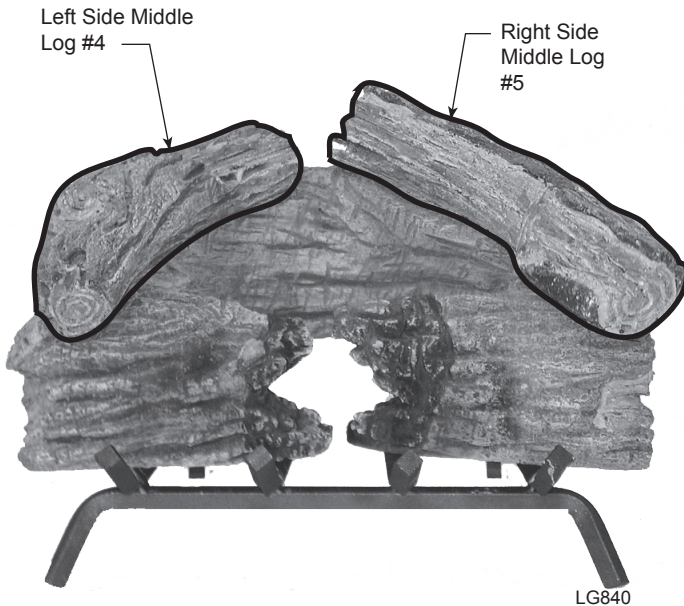


Figure 20 - Place Right and Left Side Middle Logs

- 5. Place left side middle log #4 as shown. *Figure 20*
- 6. Place right side middle log (#5). *Figure 20*

- 7. Place right top log #5 as shown. *Figure 21*

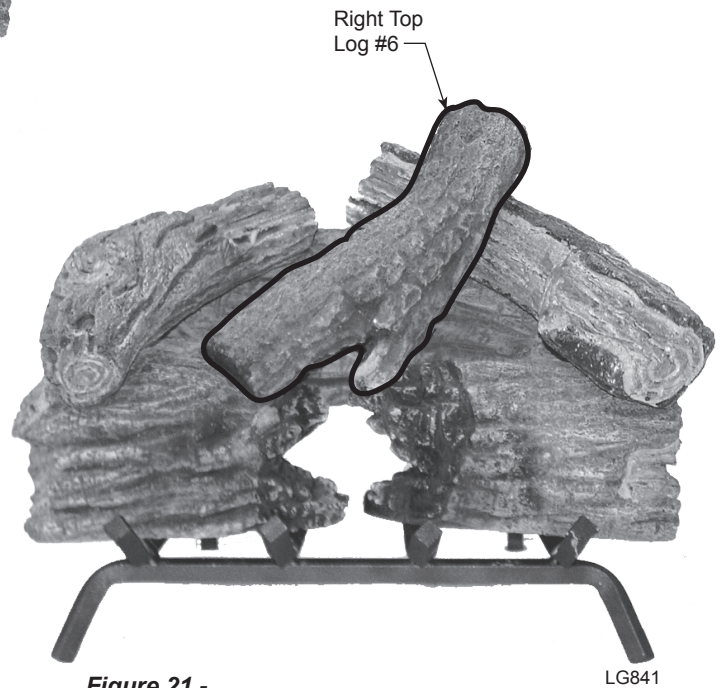
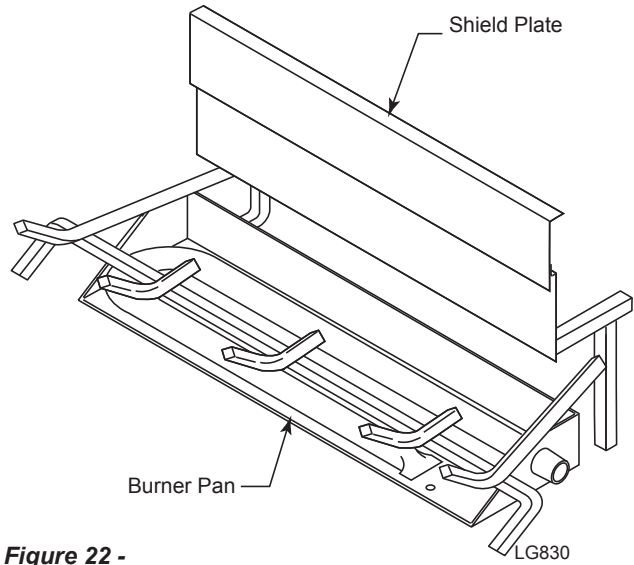


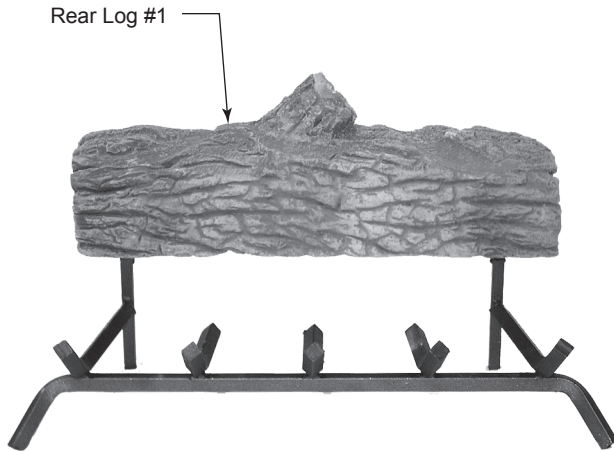
Figure 21 - Place Right Top Log

VWF24 MASSIVE OAK LOGS

1. Slide shield plate behind burner pan. *Figure 22*
2. Center rear log #1 on grate bars and flush with rear of the grate. *Figure 23*

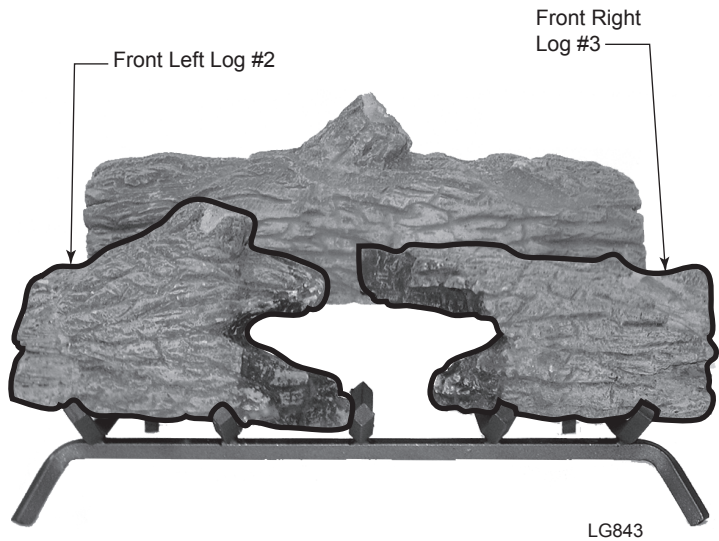


**Figure 22 -
Slide Shield Plate Behind Burner Pan**

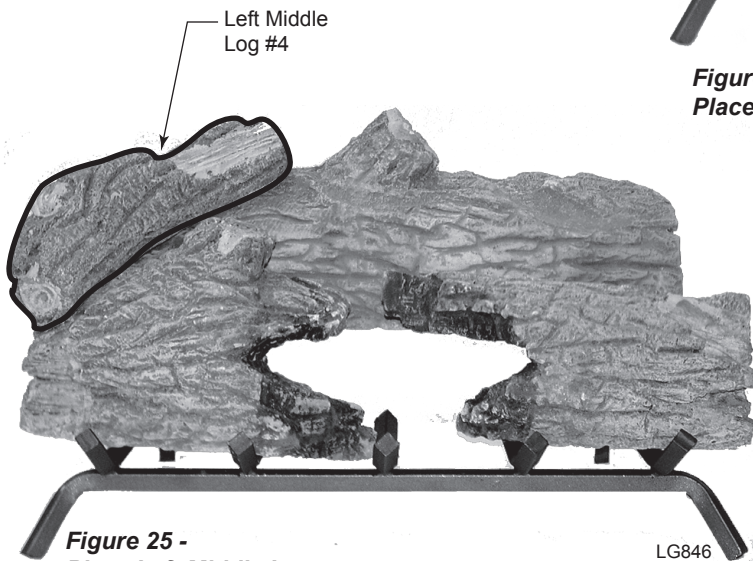


**Figure 23 -
Center Rear Log on Grate Bars**

3. Place front left log #2 on the front of the grate and to the left. *Figure 24*
 4. Place front right log #3 on the front of the grate and to the right. *Figure 24*
- NOTE: Allow 2" between the back log and the two front logs.**



**Figure 24 -
Place Front Logs**



**Figure 25 -
Place Left Middle Log**

5. Place left side middle log #4 as shown. *Figure 25*

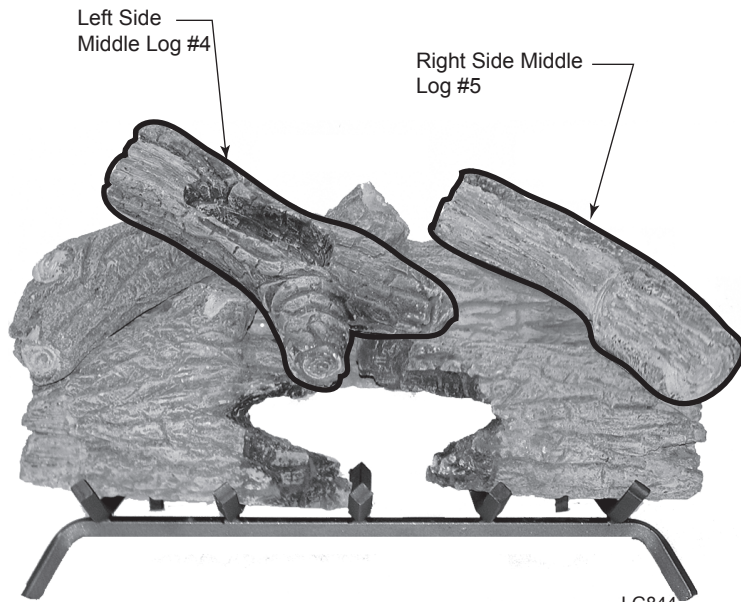


Figure 26 - Place Right Side Middle Log and Left Top Log

LG844

6. Place right side middle log #5 as shown. *Figure 26*
7. Place left top log #7 as shown. *Figure 26*

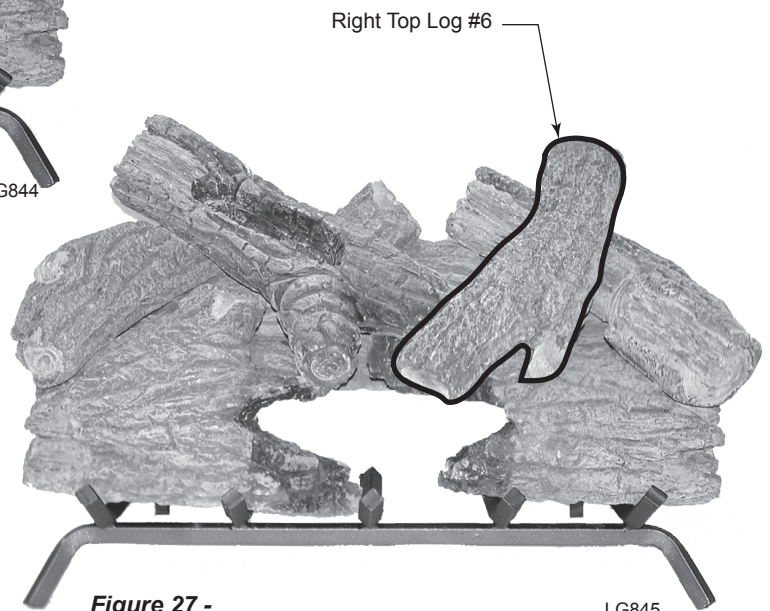


Figure 27 - Place Right Top Log

LG845

8. Place right top log #6 as shown. *Figure 27*

VWF30 MASSIVE OAK LOGS

1. Slide shield plate down back of burner pan. *Figure 28*

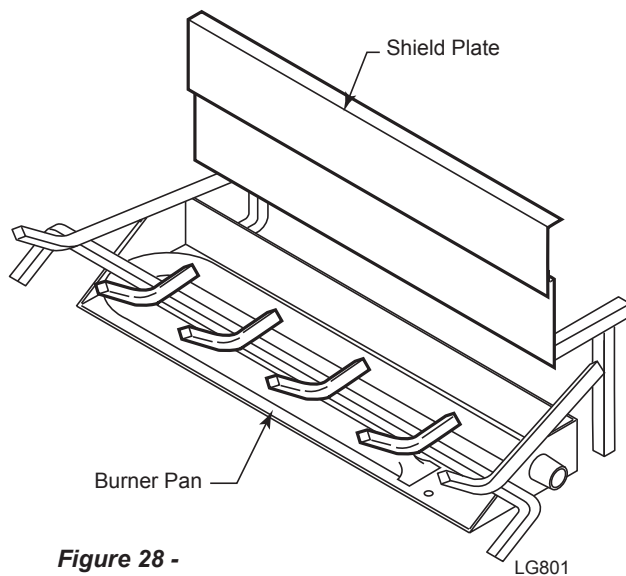


Figure 28 - Slide Shield Plate Behind Burner Pan

LG801

2. Center rear log #1 on grate bars and flush with rear of the grate. *Figure 29*

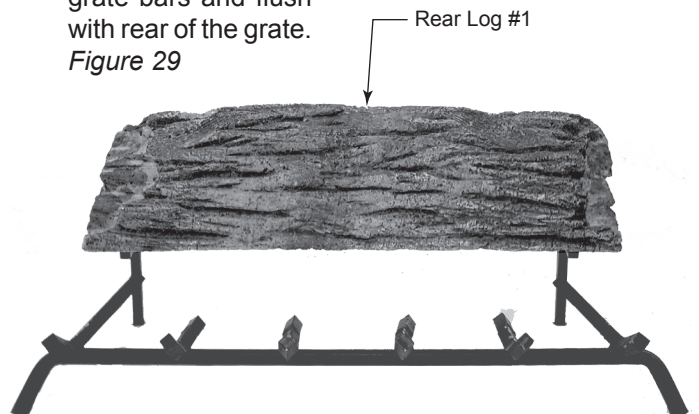


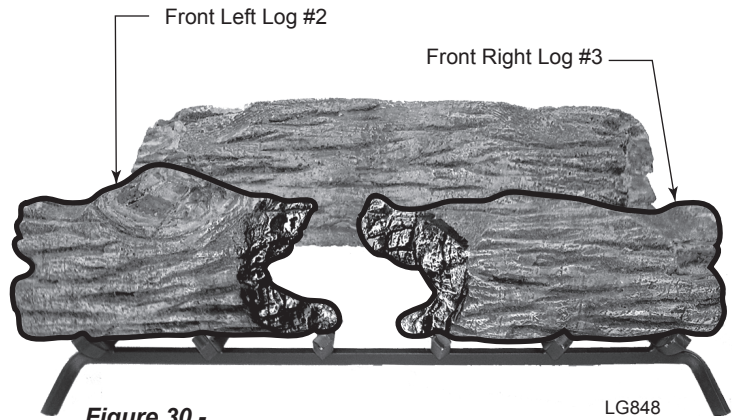
Figure 29 - Center Rear Log on Grate

LG847

3. Place front left log #2 on the front of the grate and to the left. *Figure 30*

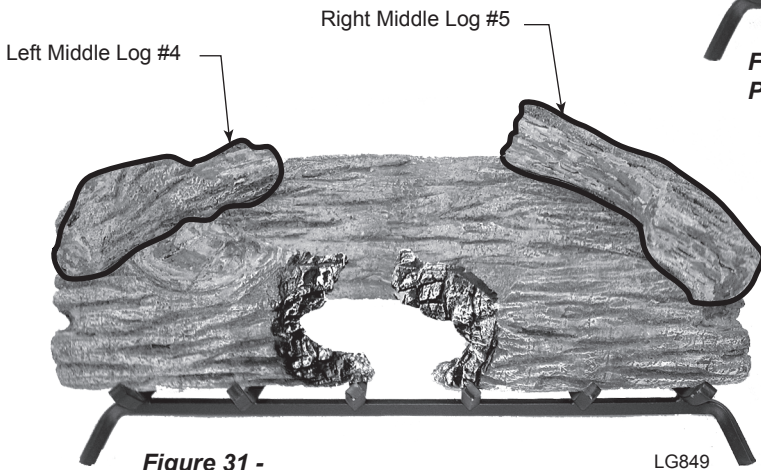
4. Place front right log #3 on the front of the grate and to the right. *Figure 30*

NOTE: Allow 2" between the back log and the two front logs.



**Figure 30 -
Place Front Logs**

LG848



**Figure 31 -
Place Middle Logs**

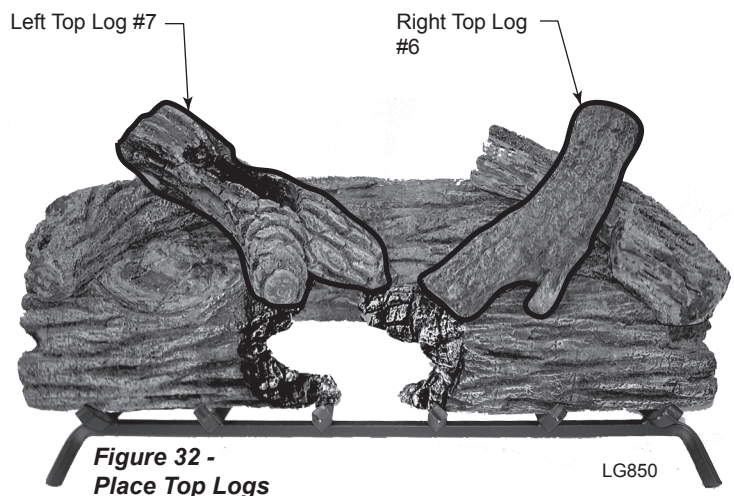
LG849

5. Place left middle log #4 as shown. *Figure 31*

6. Place right middle log #5 as shown. *Figure 31*

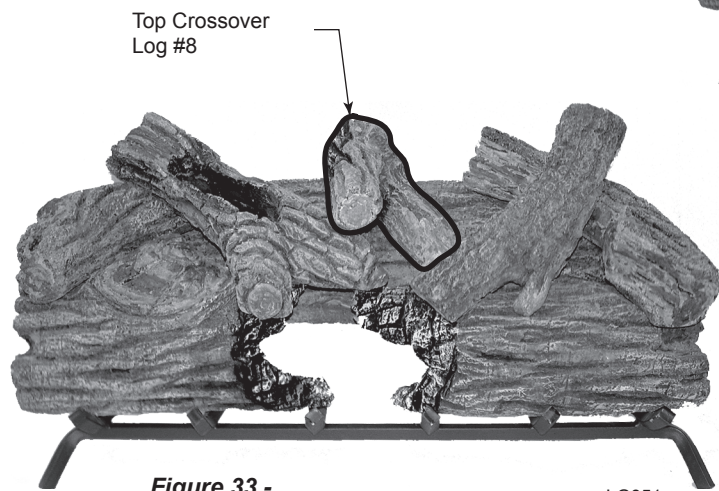
7. Place right top log #6 as shown. *Figure 32*

8. Place left top log #7 as shown. *Figure 32*



**Figure 32 -
Place Top Logs**

LG850



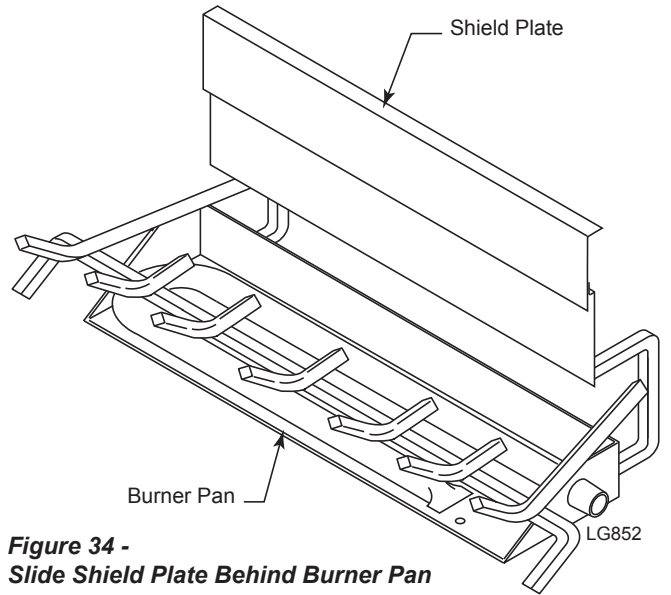
**Figure 33 -
Place Top Crossover Log**

LG851

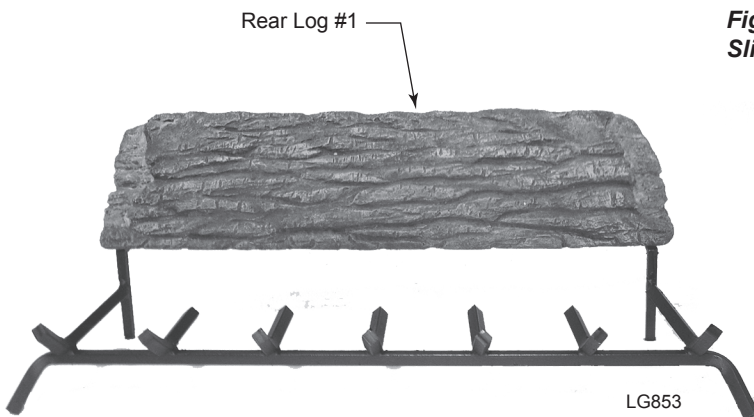
9. Place top crossover log #8 as shown. *Figure 33*

VWF36 MASSIVE OAK LOGS

1. Slide shield plate behind burner pan. *Figure 34*



**Figure 34 -
Slide Shield Plate Behind Burner Pan**



**Figure 35 -
Center Rear Log on Grate**

2. Center rear log #1 on grate bars and flush with rear of the grate. *Figure 35*

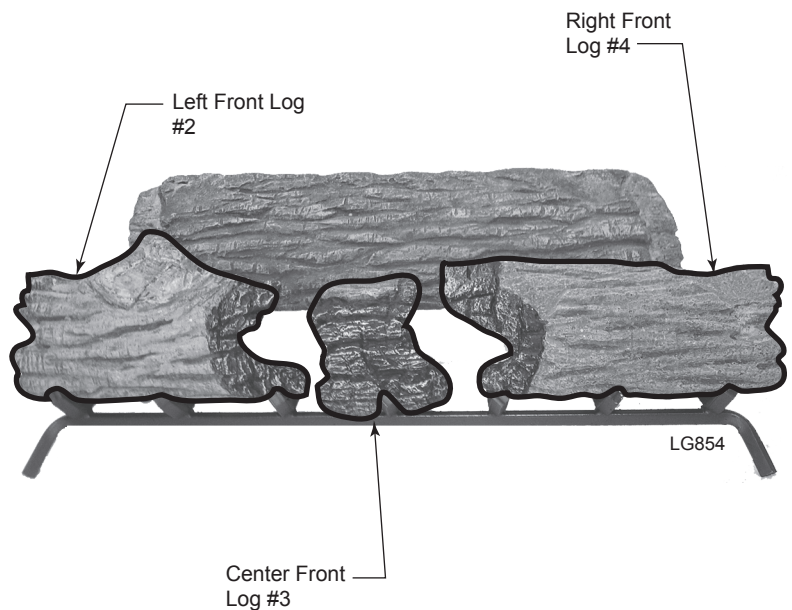
3. Place front left log #2 in front of the plate and to the left. *Figure 36*

NOTE: Allow 2" between the back log and the front left log.

4. Place center front log #3 on middle grate prong. *Figure 36*

5. Place front right log #4 in front of the plate and to the right. *Figure 36*

NOTE: Allow 2" between the back log and the right front log.



**Figure 36 -
Place Front Logs**

- 6. Install left side log #6. *Figure 37*
- 7. Install right side middle log #7. *Figure 37*
- 8. Install right side log #10. *Figure 37*

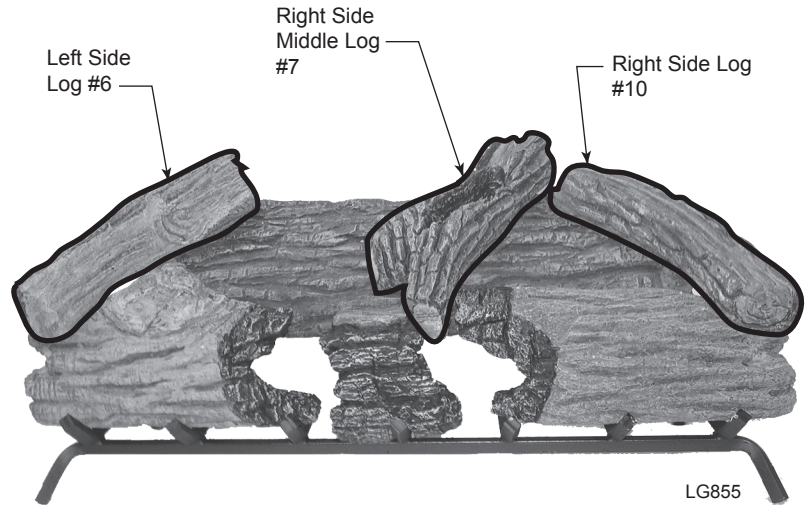


Figure 37 - Place Left & Right Side Logs and Right Side Middle Logs

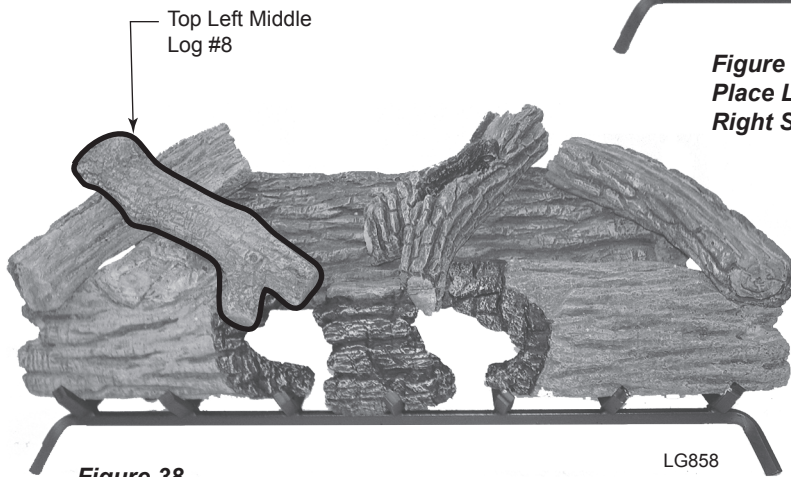


Figure 38 - Place Top Left Middle Log

- 9. Install top left middle log #8. *Figure 38*

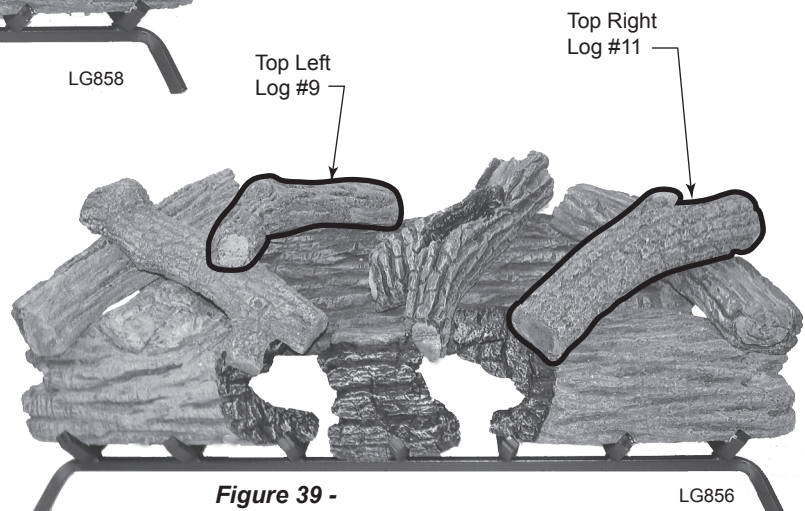


Figure 39 - Place Top Left Log

- 10. Install top left log #9. *Figure 39*
- 11. Install top right log #11. *Figure 39*

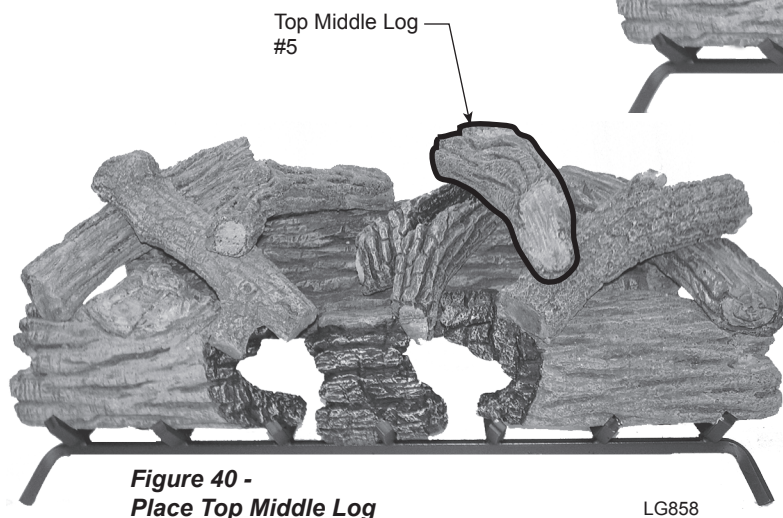


Figure 40 - Place Top Middle Log

- 12. Install top middle log #5. *Figure 40*

VWF18 AMERICAN OAK LOGS

NOTE: Each log has an identifying number embossed on bottom surface.

1. Place Back Log #2 on grate bars on back of grate. *Figure 41*

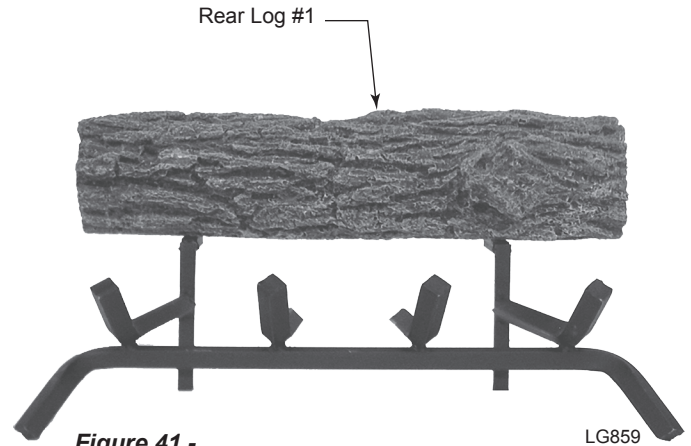


Figure 41 - Place Rear Log on Grate Bars

LG859

2. Place Front Log #1 on front of grate. *Figure 42*

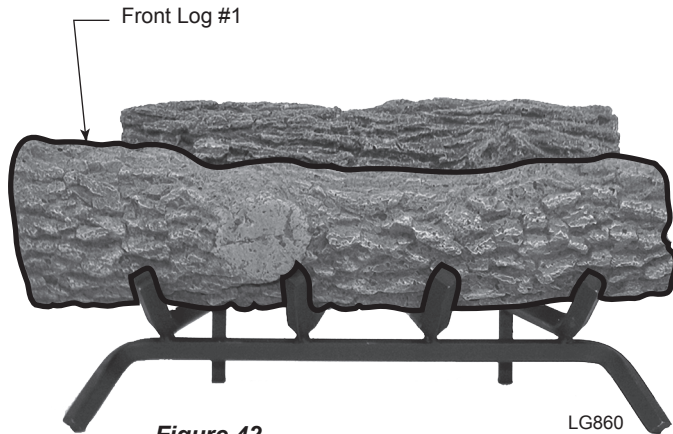


Figure 42 - Place Front Log

LG860

3. Position Right/Left Middle Log #4 on top right of Log #1 and Log #2. *Figure 43*
4. Place Right/Left Middle Log #4 on top left of Log #1 and Log #2. *Figure 43*

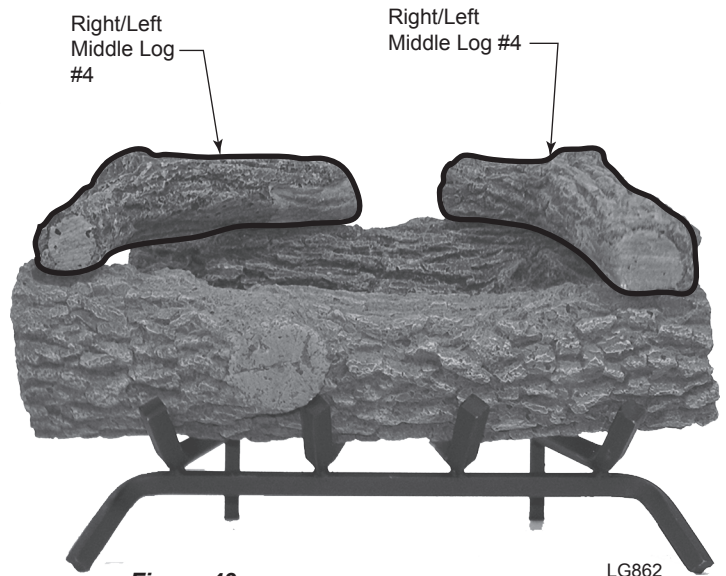


Figure 43 - Place Right/Left Middle Logs

LG862

5. Rest Top Right/Left Log #7 on Log # 4 and Log #1. *Figure 44*
6. Rest Top Right/Left Log #7 on Log #4 and Log #1. *Figure 44*

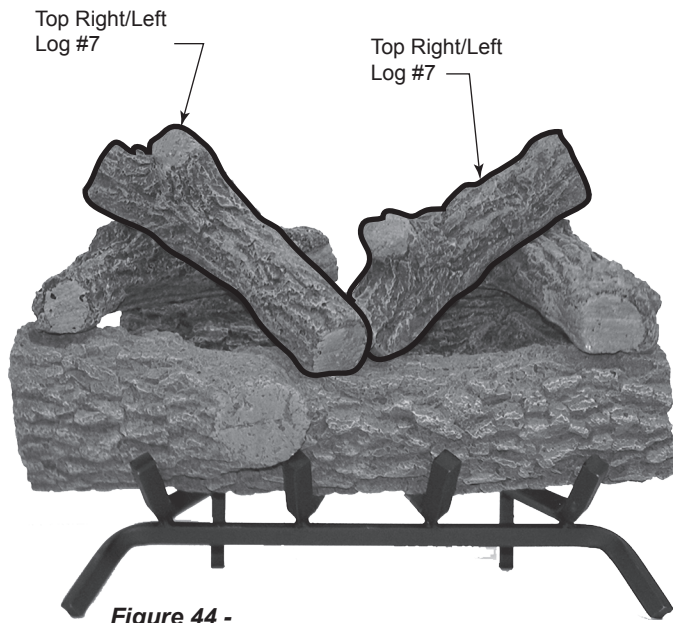


Figure 44 - Place Top Right/Left Logs

LG861

VWF24 AMERICAN OAK LOGS

NOTE: Each log has an identifying number embossed on bottom surface.

1. Place Back Log #2 on grate bars on back of grate. *Figure 45*

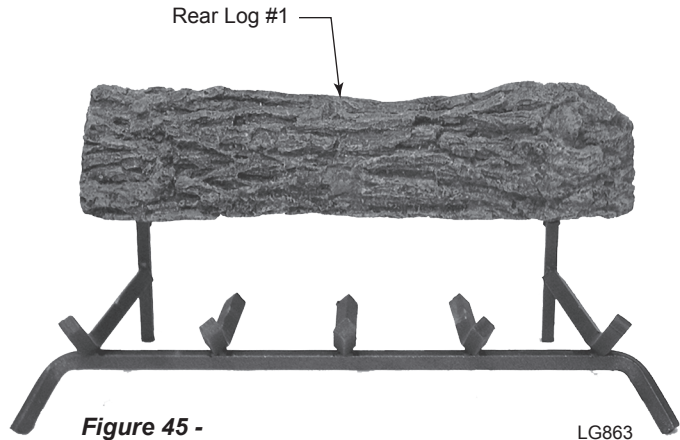


Figure 45 - Place Back Log on Grate

LG863

2. Place Front Log #1 on front of grate. *Figure 46*

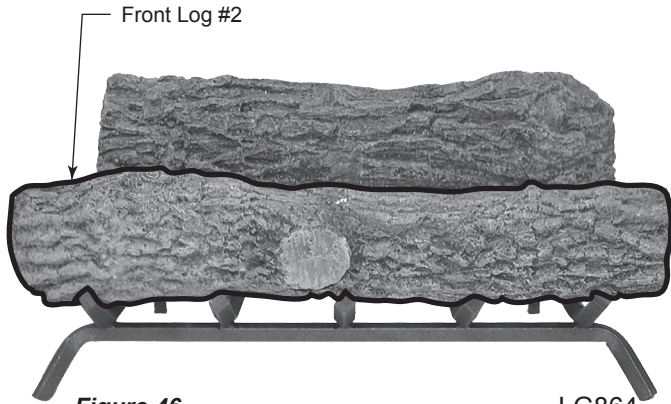


Figure 46 - Place Front Log on Grate

LG864

3. Position Right Log #3 on top right of Log #1 and Log #2. *Figure 47*
4. Place Right/Left Log #4 on top left of Log #1 and Log #2. *Figure 47*

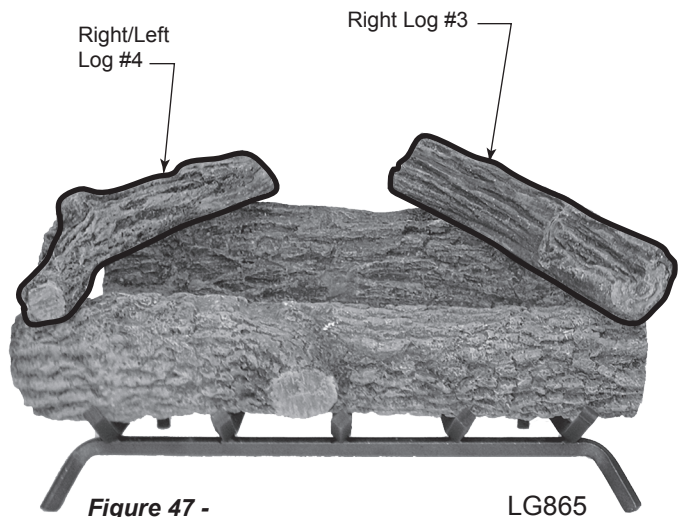


Figure 47 - Place Right and Right/Left Log

LG865

5. Rest Right/Left Log #4 on Log # 3 and Log #1. *Figure 48*
6. Rest Top Left Log #6 on Log #4 and Log #1. *Figure 48*

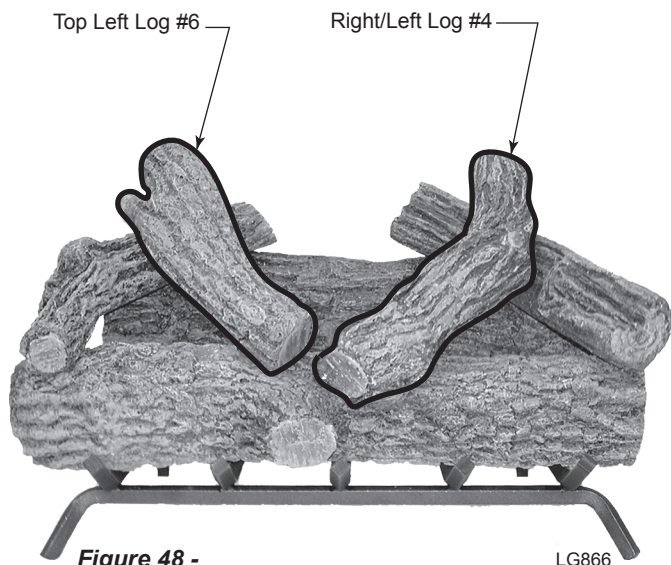


Figure 48 - Place Right/Left and Top Left Log

LG866

VWF30 AMERICAN OAK LOGS

NOTE: Each log has an identifying number embossed on bottom surface.

1. Place Back Log #2 on grate bars on back of grate. *Figure 49*

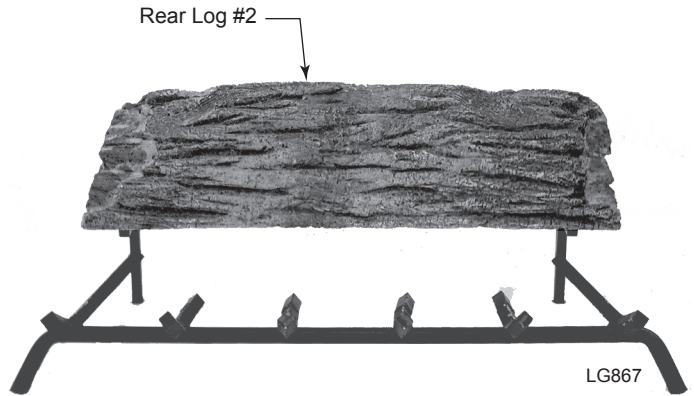


Figure 49 - Place Rear Log on Grate

2. Place Front Log #1 on front of grate. *Figure 50*

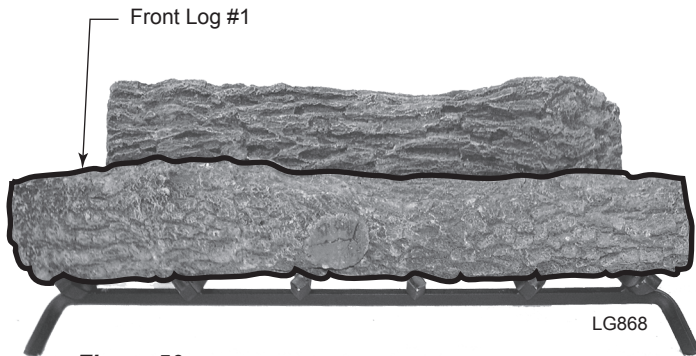


Figure 50 - Place Front Log

3. Position Right/Left Middle Log #4 on top right of Log #1 and Log #2. *Figure 51*
4. Place Right/Left Middle Log #4 on top left of Log #1 and Log #2. *Figure 51*

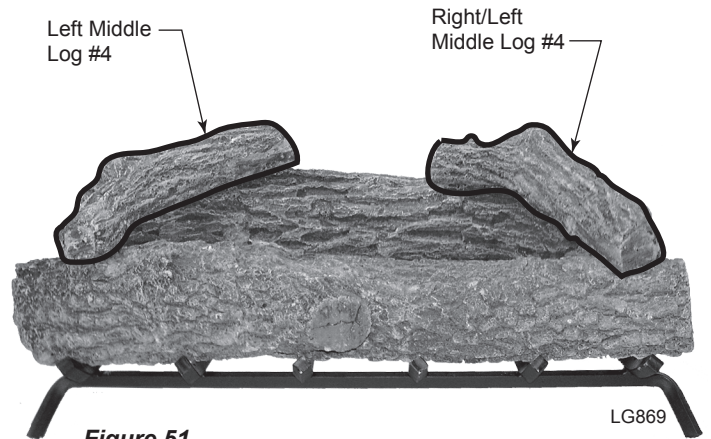


Figure 51 - Place Right/Left Middle and Left Middle Logs

5. Rest Top Right/Left Log #5 on Log # 4 and Log #1. *Figure 52*
6. Rest Top Right/Left Log #5 on Log 4 and Log #1. *Figure 52*

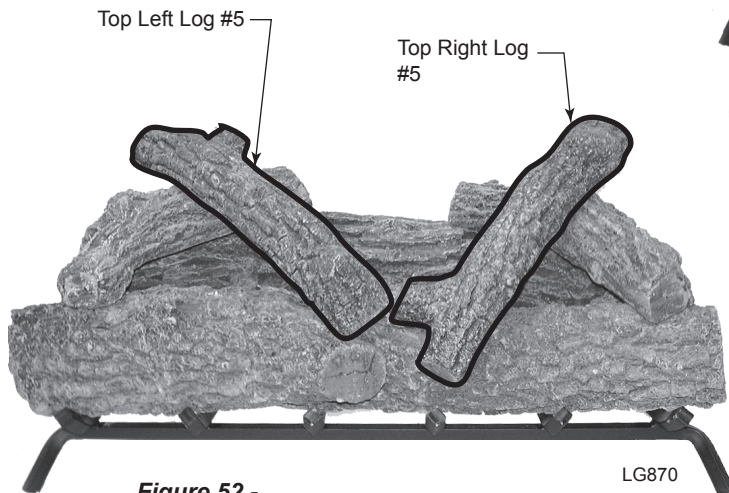
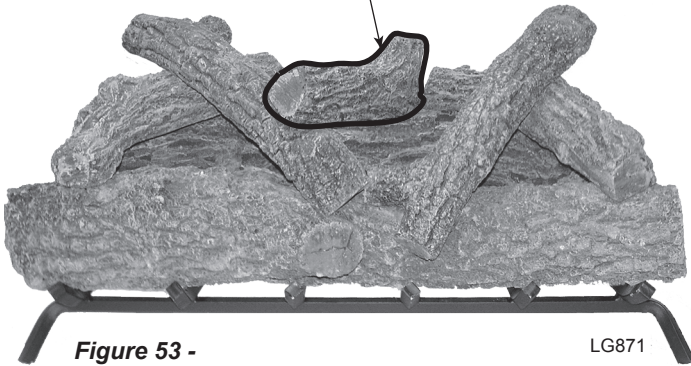


Figure 52 - Place Top Logs

Left Crossover
Log #7



**Figure 53 -
Place Left Crossover Log #7**

LG871

7. Place Left Crossover Log #7 on Log #2 and Log #5. *Figure 53*

Right Crossover Log
#8



**Figure 54 -
Place Right Crossover Log**

LG872

8. Place Right Crossover Log #8 on Log #3 and Log #7. *Figure 54*

MODELS VWF24B (6 Logs)

Figure 55

1. Slide shield plate down back of burner pan.
2. Place Back Log #1 on grate bars on back of grate.
3. Place Middle Log #2 in front of Log #1.
4. Position Right Front Log #3 on right front side of grate.
5. Position Left Front Log #4 on left front side of grate. Make sure notch in bottom of log sits on grate prong.
6. Rest Top Right Log #5 across top right sides of Log #1 and Log #2.
7. Rest Top Left Log #6 across top left side of Log #1 and Log #2.

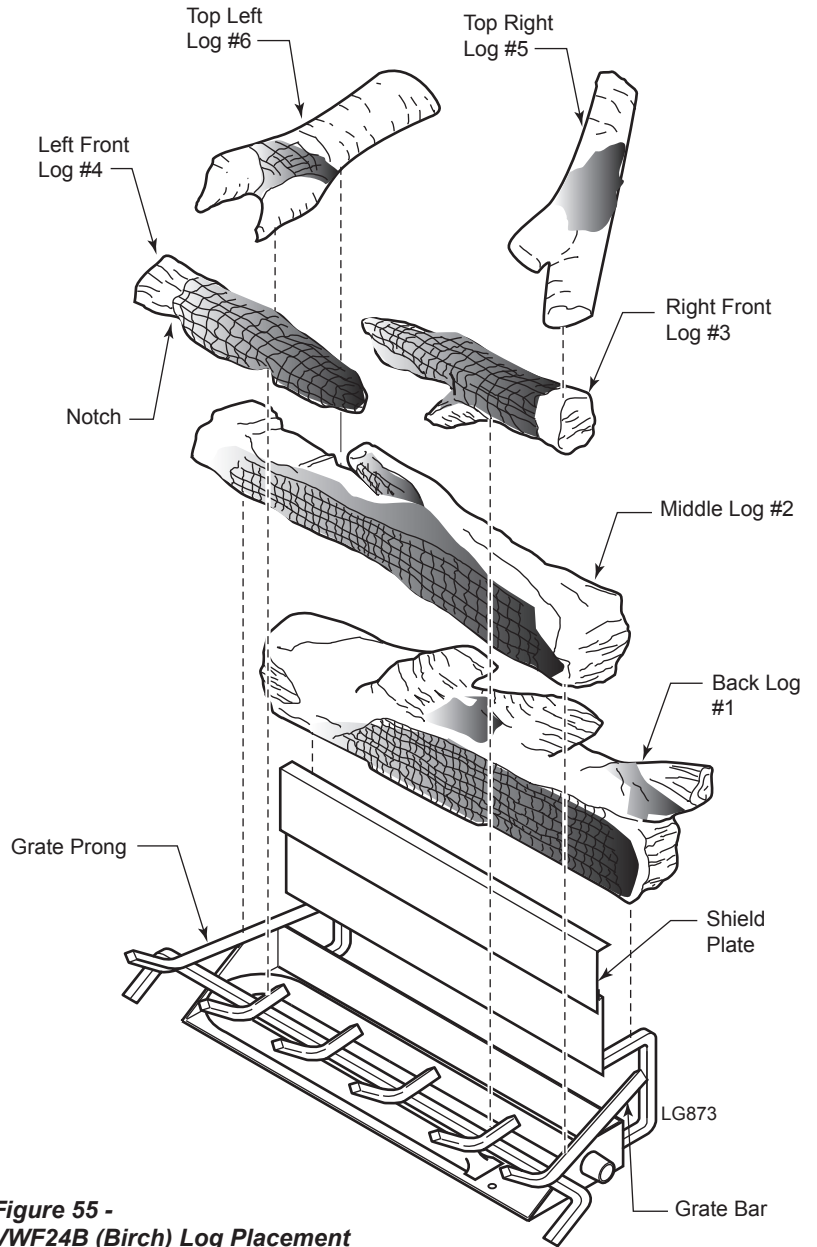


Figure 55 - VWF24B (Birch) Log Placement

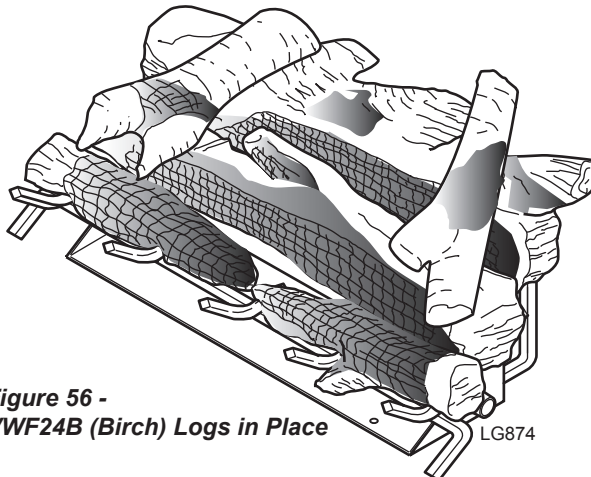
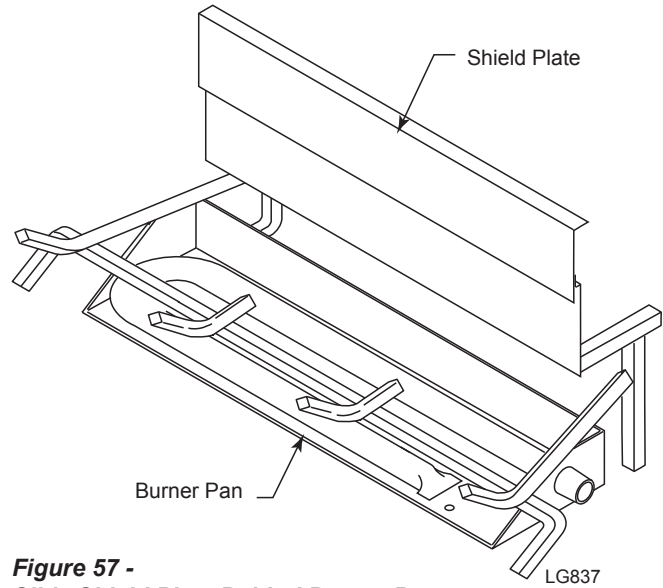


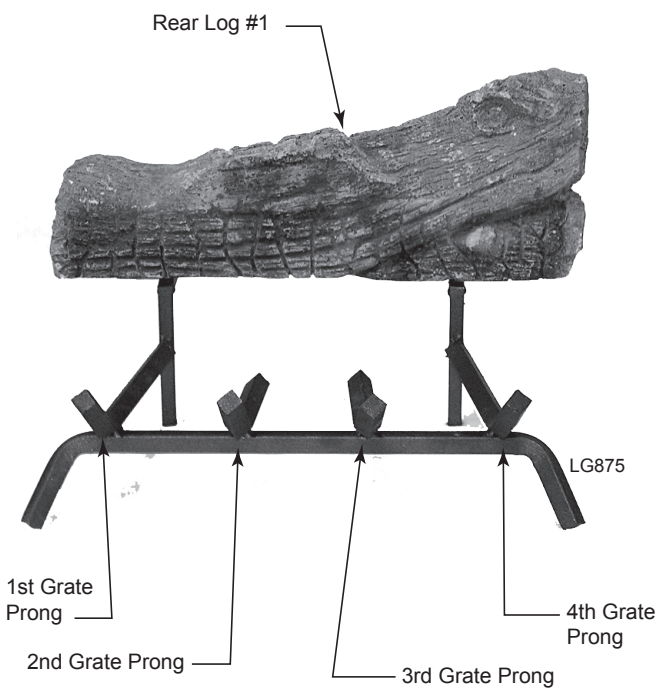
Figure 56 - VWF24B (Birch) Logs in Place

MODELS VWF24/18 SPLIT RIVER OAK

1. Slide shield plate behind burner pan. *Figure 57*



**Figure 57 -
Slide Shield Plate Behind Burner Pan**

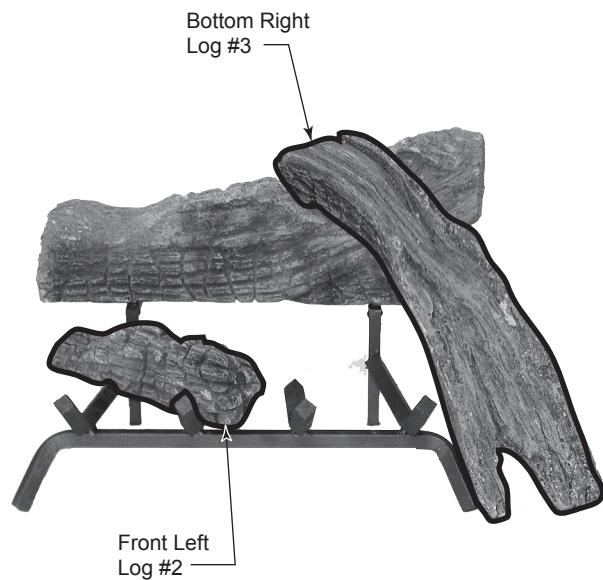


**Figure 58 -
Place Rear Log**

2. Place Rear Log #1 on back of grate. *Figure 58*

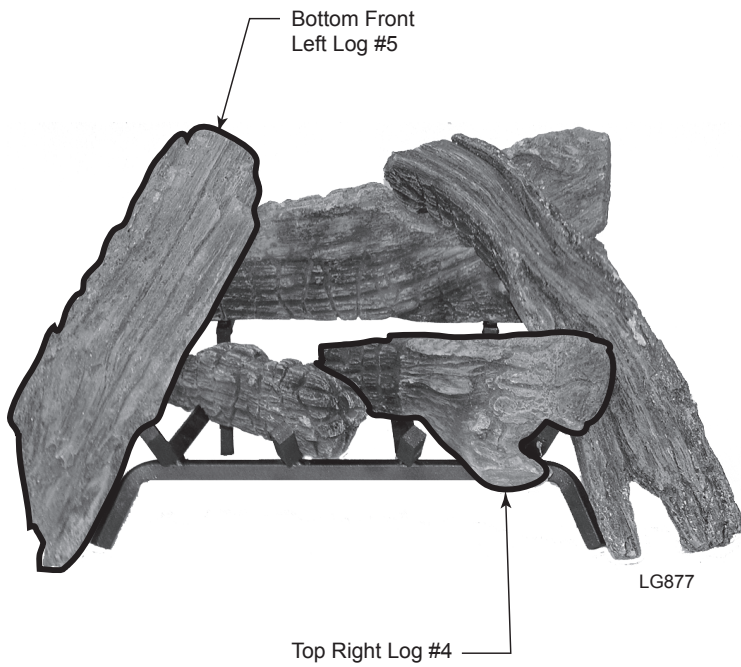
3. Place Front Left Log #2 in front of back log on left arm of grate. Rest end of bottom left log between second and third prong of grate. *Figure 59*

4. Place end of Bottom Right Log #3 on cutout of back log #1. Rest other end of right bottom log to the outside of fourth grate prong. *Figure 59*



**Figure 59 -
Place Front Left and Bottom Right Logs**

LG876



5. Rest Bottom Left Log #5 on back log #1 and to the outside of the first grate prong. *Figure 60*
6. Rest right end of Top Right Log #4 on bottom right log. *Figure 60*

Figure 60 - Place Bottom Front Left and Top Right Logs

7. Place end of Top Left Log #6 on bottom left log. Rest the other end between the first and second grate prongs. *Figure 61*
8. Rest Top Center Log #7 on bottom left log #2 and back log #1. *Figure 61*

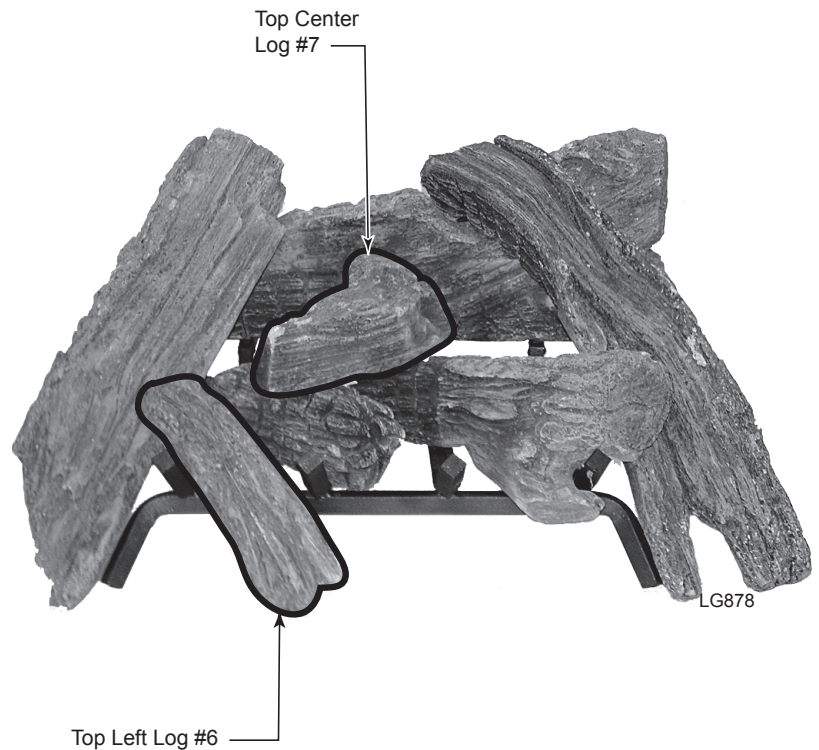
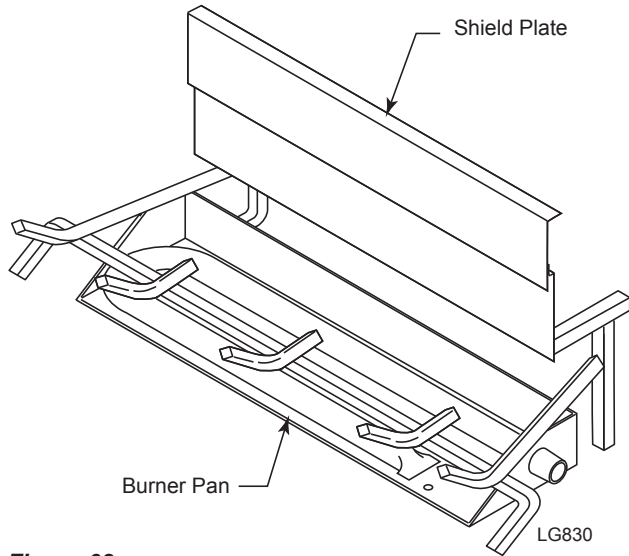


Figure 61 - Place Top Center and Top Left Logs

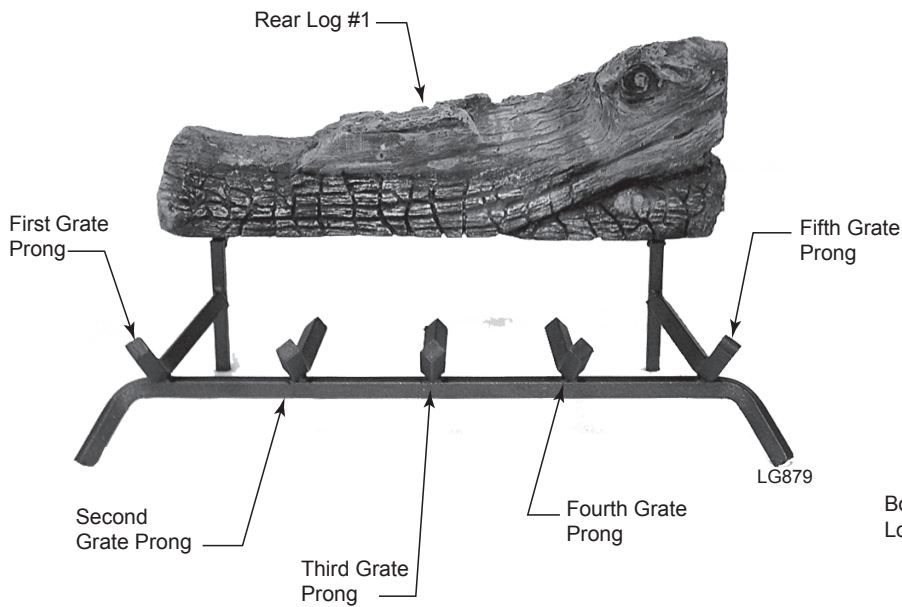
MODELS VWF30/24 SPLIT RIVER OAK

1. Slide shield plate behind burner pan. *Figure 62*



**Figure 62 -
Slide Shield Plate Behind Burner Pan**

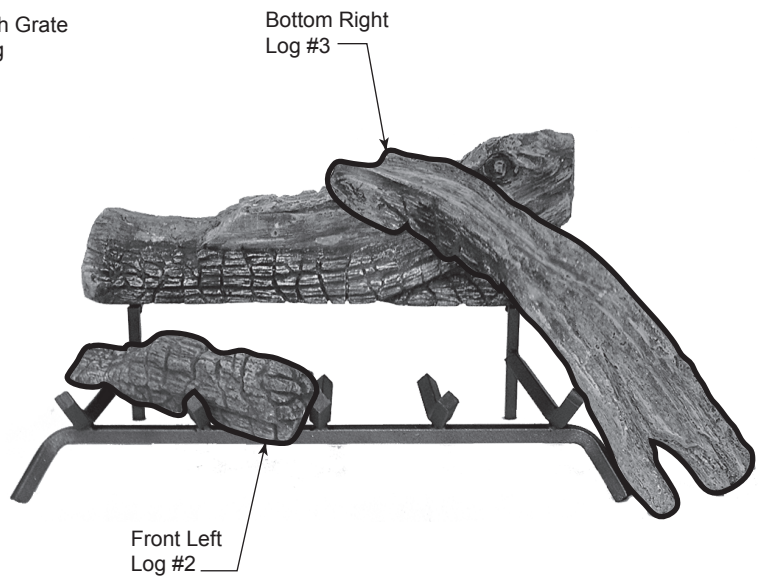
2. Place Back Log #1 on back of grate. *Figure 63*



**Figure 63 -
Place Rear Log**

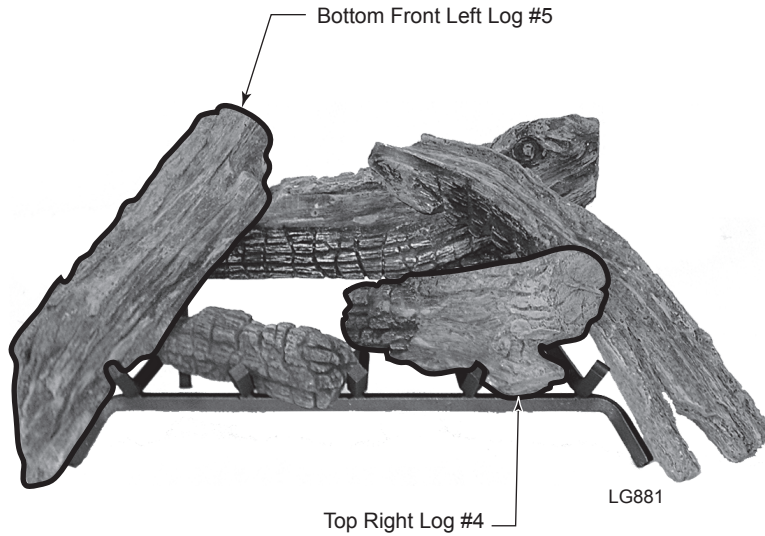
3. Place Front Left Log #2 in front of back log on left arm of grate. Rest end of bottom left log between second and third prong of grate. *Figure 64*

4. Place end of Bottom Right Log #3 on cutout of back log #1. Rest other end of right bottom log to the outside of fifth grate prong. *Figure 64*



**Figure 64 -
Place Front Left and Bottom Right Logs**

LG880



- 5. Rest right end of Top Right Log #4 on bottom right log. *Figure 65*
- 6. Rest Bottom Left Log #5 on back log #1 and to the outside of the left grate prong. *Figure 65*

Figure 65 - Place Top Right and Bottom Front Left Logs

- 7. Place end of Top Left Log #6 on bottom left log. Rest the other end between the first and second grate prongs. *Figure 66*
- 8. Rest Top Center Log #7 on bottom left log #2 and back log #1. *Figure 66*

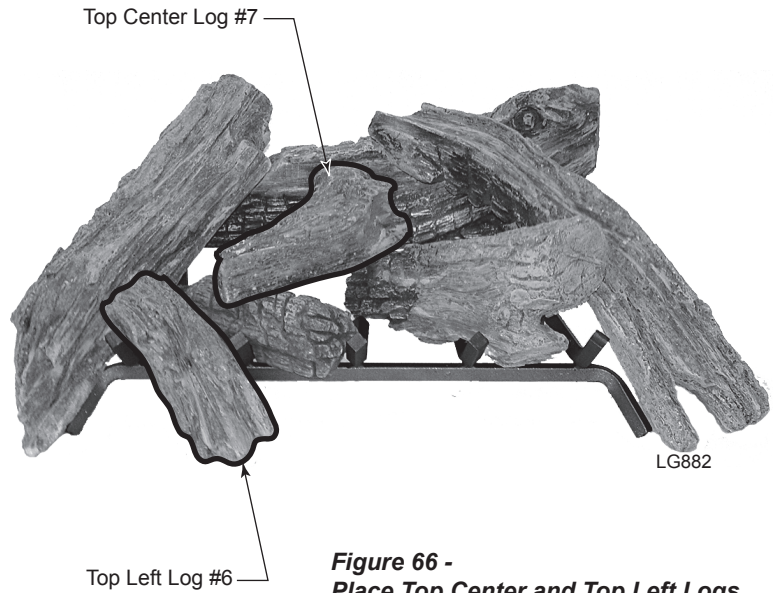
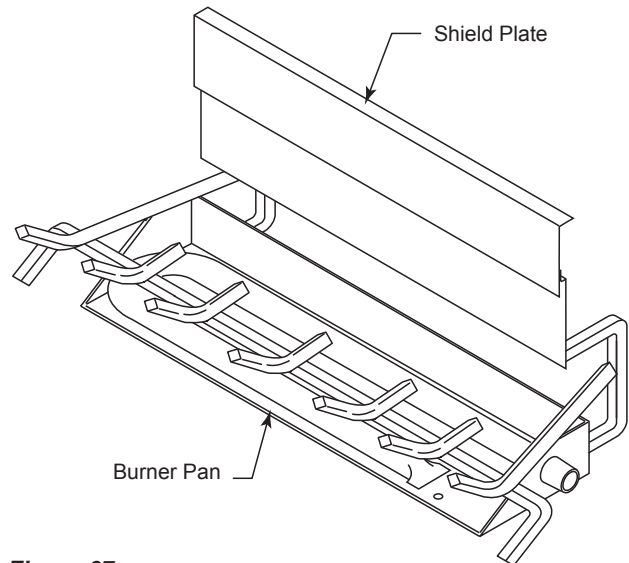


Figure 66 - Place Top Center and Top Left Logs

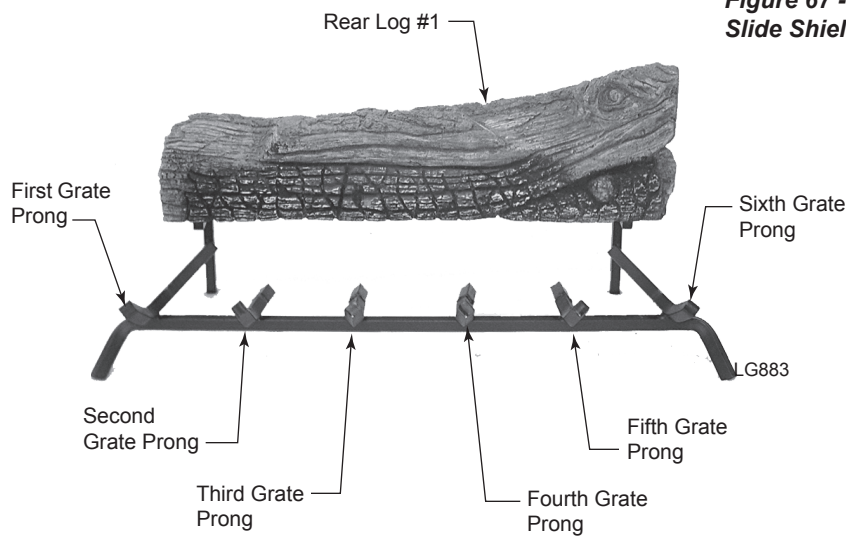
MODELS VWF36/30 SPLIT RIVER OAK

1. Slide shield plate behind burner pan. *Figure 67*



**Figure 67 -
Slide Shield Plate Behind Burner Pan**

LG852

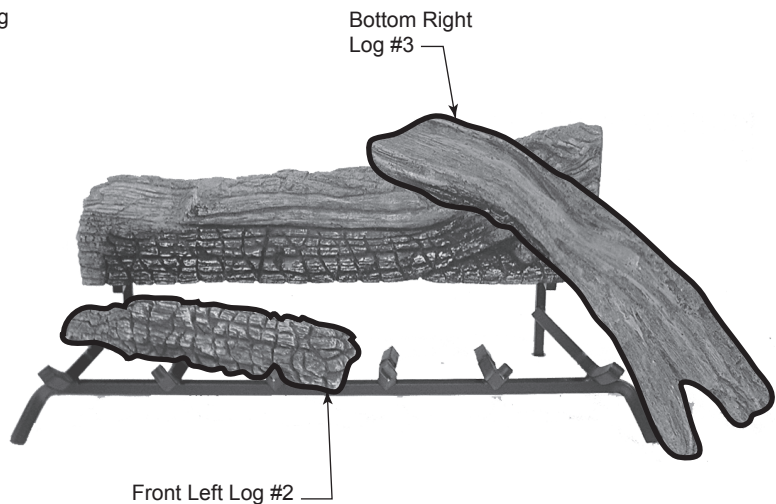


2. Place Back Log #1 on back of grate. *Figure 68*

**Figure 68 -
Place Rear Log**

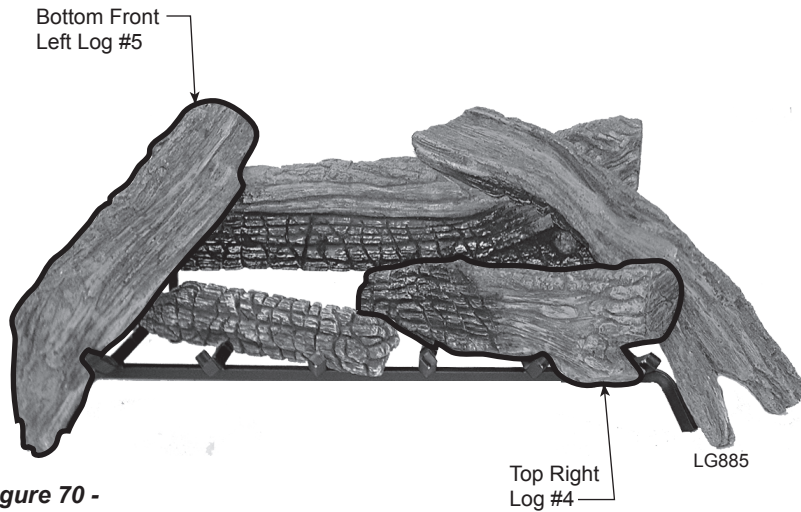
3. Place Front Left Log #2 in front of back log on left arm of grate. Rest end of bottom left log between third and fourth prong of grate. *Figure 69*

4. Place end of Bottom Right Log #3 on cutout of back log #1. Rest other end of right bottom log to the outside of sixth grate prong. *Figure 69*



**Figure 69 -
Place Front Left Log and Bottom Right Logs**

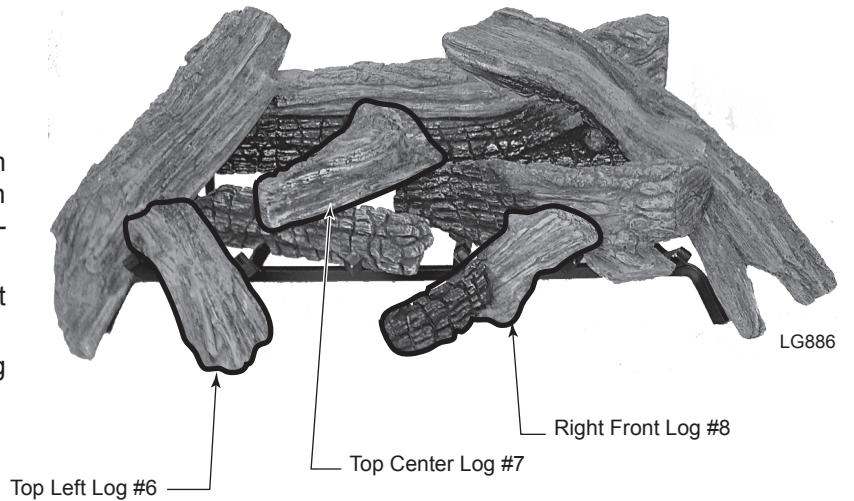
LG884



**Figure 70 -
Place Top Right Log and Bottom
Front Left Log**

5. Rest right end of Top Right Log #4 on bottom right log. *Figure 70*
6. Rest Bottom Left Log #5 on back log #1 and to the outside of the left grate prong. *Figure 70*

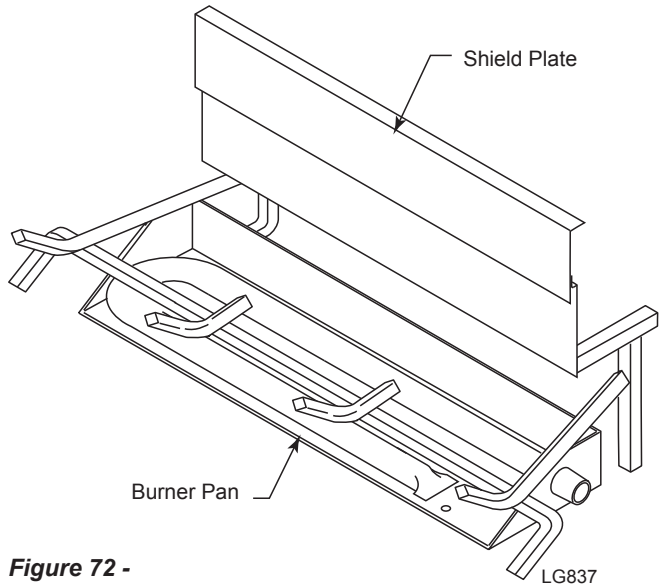
7. Place end of Top Left Log #6 on bottom left log. Rest the other end between the first and second grate prongs. *Figure 71*
8. Rest Top Center Log #7 on bottom left log #2 and back log #1. *Figure 71*
9. Rest Right Front Log #8 on top right log #4 and front of burner pan. *Figure 71*



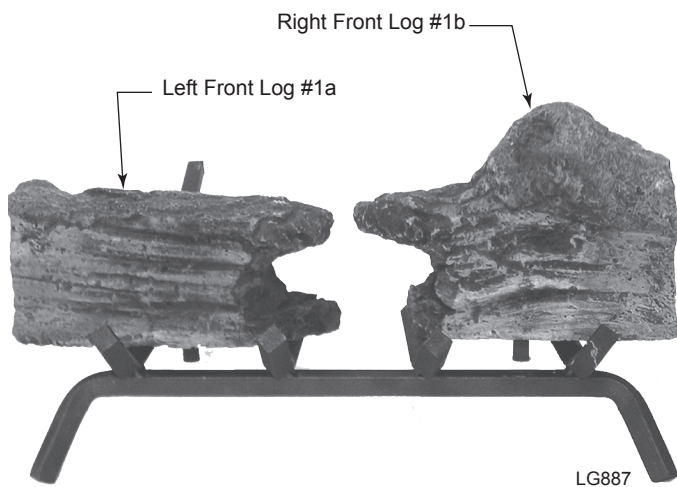
**Figure 71 -
Place Top Left, Center Top and Front Right Logs**

MODELS VWF18 SPLIT PINE

1. Slide shield plate behind burner pan. *Figure 72*



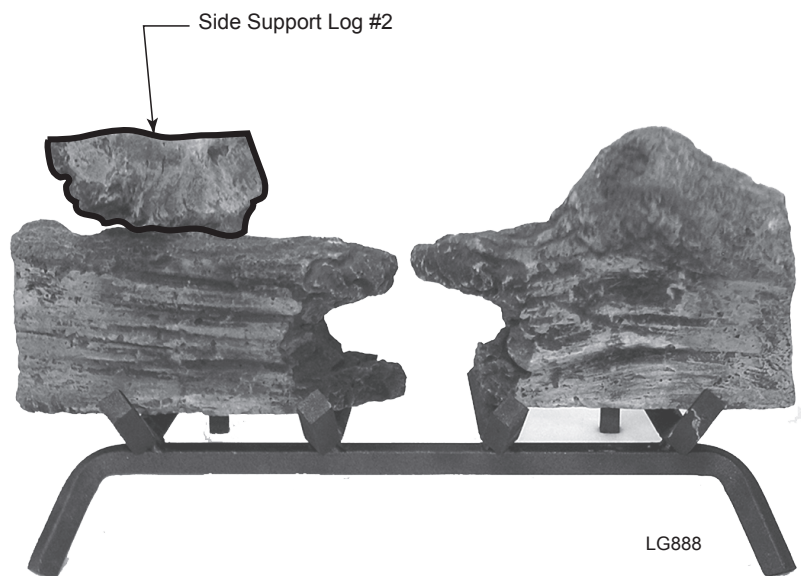
**Figure 72 -
Slide Shield Plate Behind Burner Pan**



**Figure 73 -
Place Front Logs**

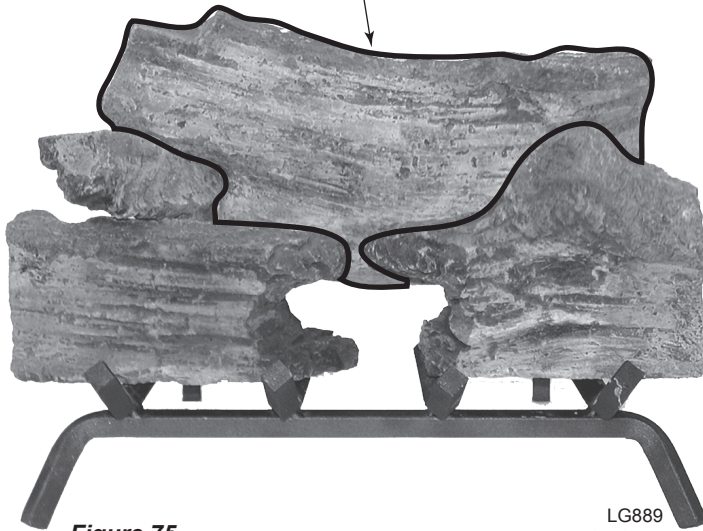
2. Place Left Front Log #1a on front left of grate. *Figure 73*
3. Place Right Front Log #1b on front right of the grate. *Figure 73*

4. Place front end of Side Support Log #2 on top left of Log #1a. Rest other end of Log #2 on rear grate bar. *Figure 74*



**Figure 74 -
Place Side Support Log**

Rear Log #3

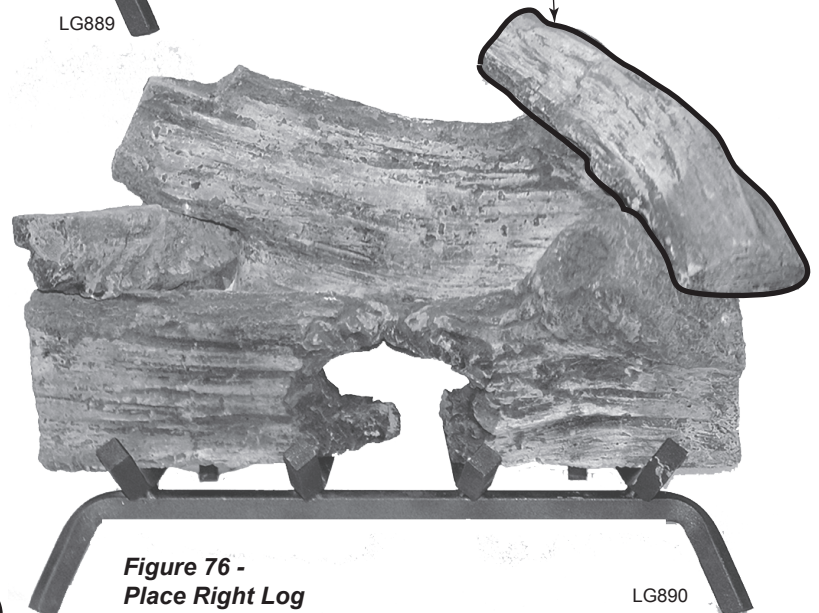


**Figure 75 -
Place Rear Log**

LG889

5. Fit cutout in the bottom left of Rear Log #3 over the back end of log #1a. Rest right end of Log #3 on rear grate bar. *Figure 75*

Right Log #4

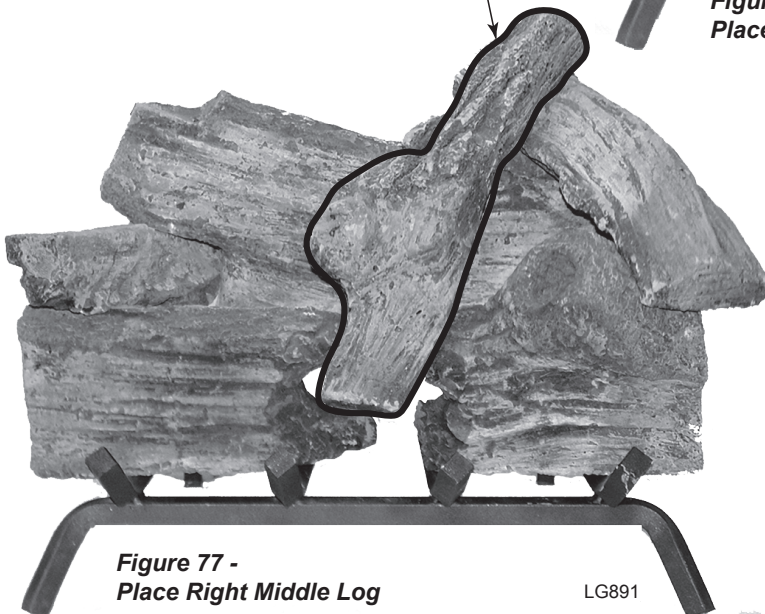


**Figure 76 -
Place Right Log**

LG890

6. Rest front end of Right Log #4 on right top of Log #1b. The back end of Log #4 rests to right hump on Log #3. *Figure 76*

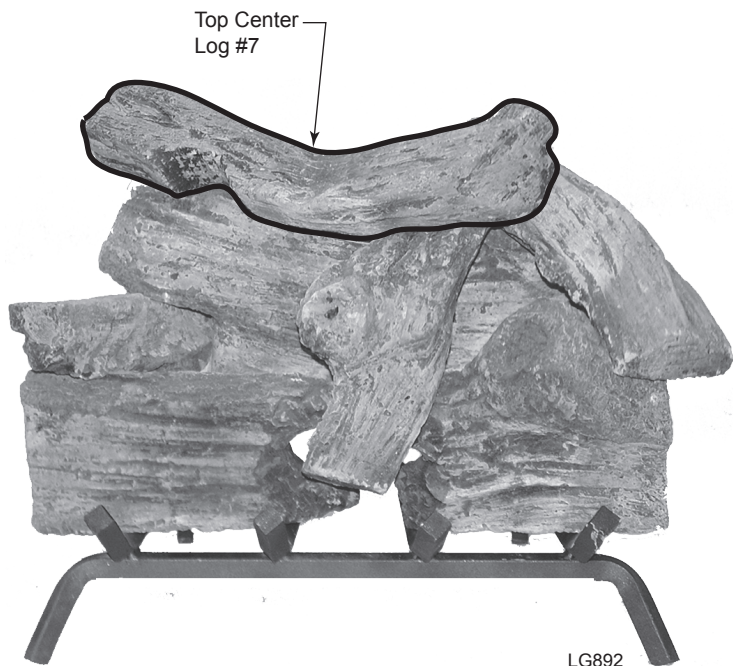
Right Middle Log #5



**Figure 77 -
Place Right Middle Log**

LG891

7. Place back end of Right Middle Log #5 on top right of Log #4. Rest front of Log #5 on top right of Log #3. *Figure 77*



**Figure 78 -
Place Top Center Log**

8. Lay Top Center Log #7 across log #5 with back end resting on Log #3. *Figure 78*

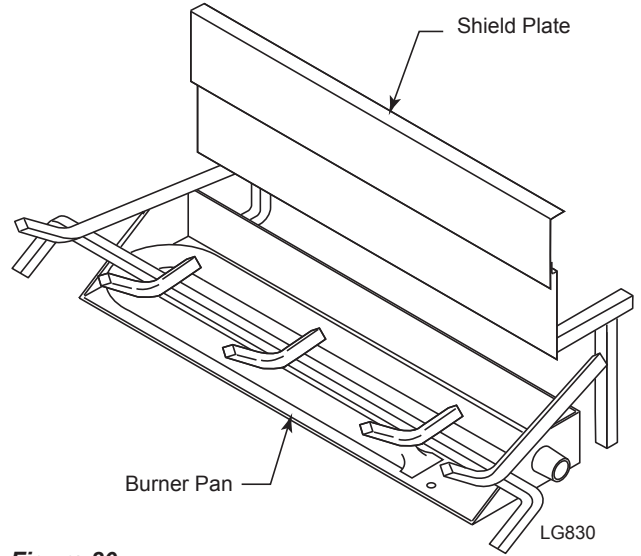
9. Place front end of Top Left Log #8 on Log #1a. Let back end of Log #8 rest on Log #7. *Figure 79*



**Figure 79 -
Place Top Left Log**

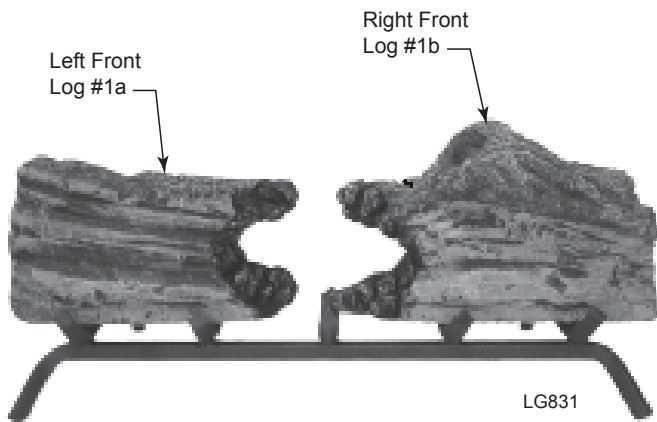
MODELS VWF24 SPLIT PINE

1. Slide shield plate behind burner pan. *Figure 80*



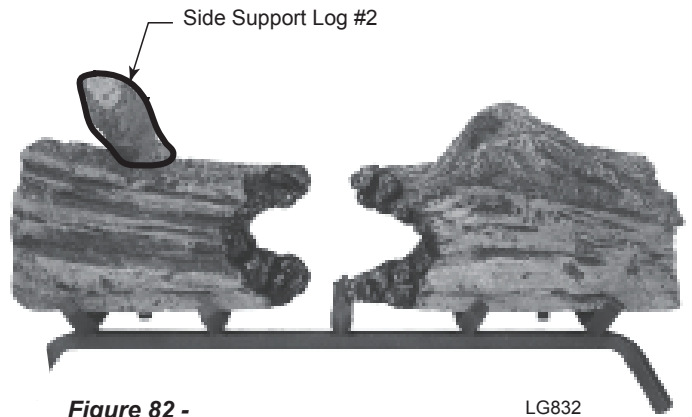
**Figure 80 -
Slide Shield Plate Behind Burner Pan**

2. Place left front log #1a on front left of grate. *Figure 81*
3. Place right front log #1b on front right of the grate. *Figure 81*



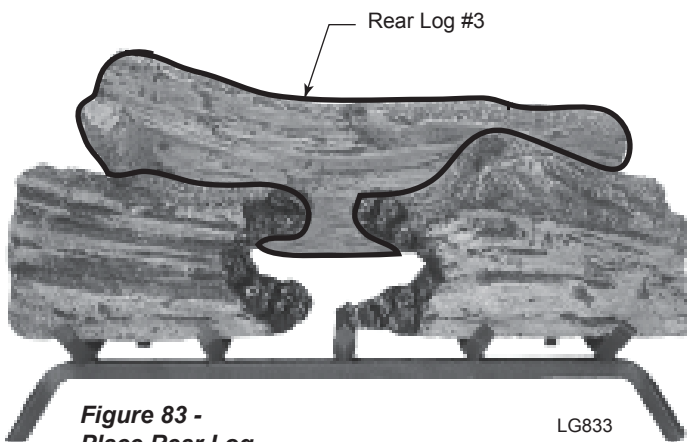
**Figure 81 -
Place Front Logs**

4. Place front end of side support log #2 on top left of log #1a. Rest other end of log #2 on rear grate bar. *Figure 82*

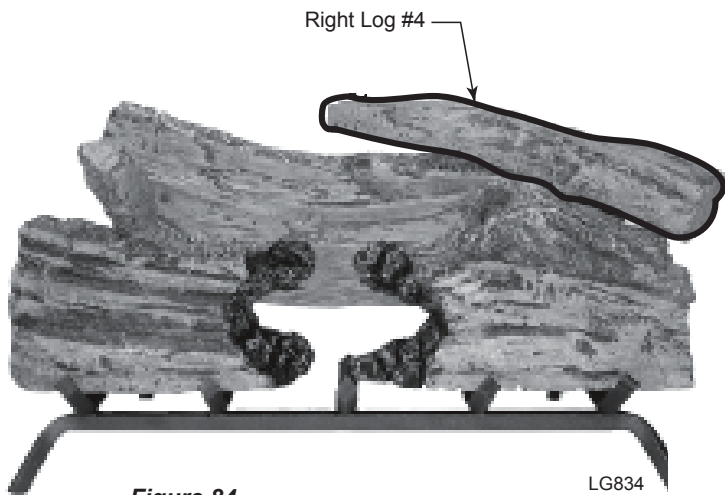


**Figure 82 -
Place Side Support Log**

5. Fit cutout in the bottom left of rear log #3 over the back end of log #2. Rest right end of log #3 on rear grate bar. *Figure 83*



**Figure 83 -
Place Rear Log**

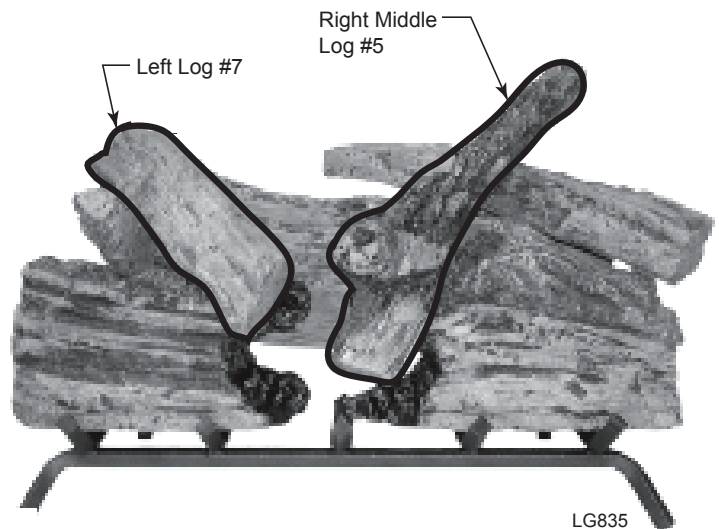


**Figure 84 -
Place Right Log**

LG834

6. Rest front end of right log #4 on right top of log #1b. The back end of log #4 rests to right hump on log #3. *Figure 84*

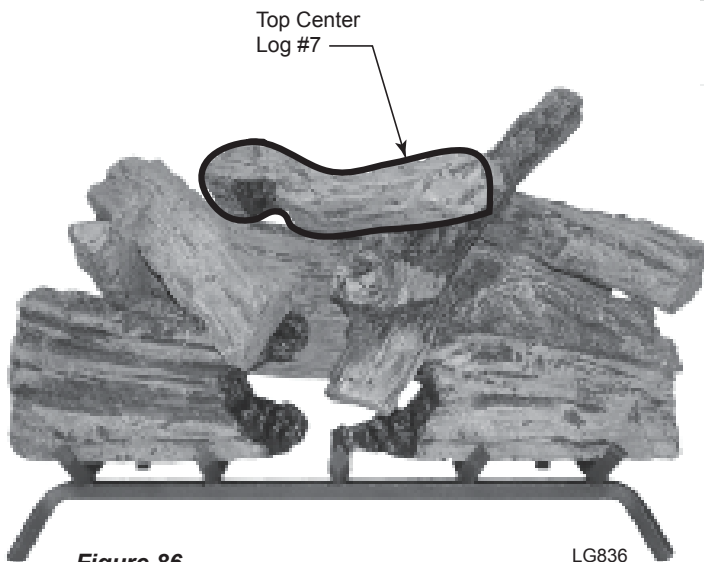
7. Place front of right middle log #5 on top right of log #1b. Rest back end of log #5 on top right of log #4. *Figure 85*



**Figure 85 -
Place Right Middle and Left Log**

LG835

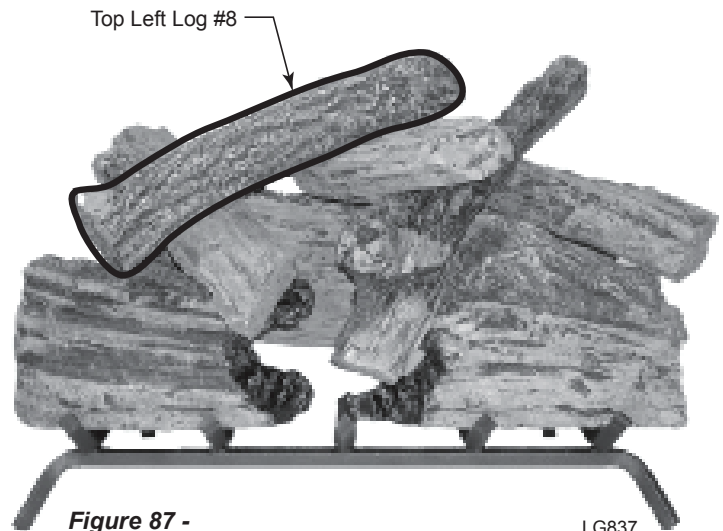
8. Rest front end of left log #6 on log #1a and back end of log #6 just left of middle log #1. *Figure 86*



**Figure 86 -
Place Top Center Log**

LG836

9. Lay top center log #7 across log #3 with front end resting on Log #5. *Figure 87*
10. Place front end of top left log #8 on log #7. Allow back end of log #8 to rest on log #6. *Figure 87*

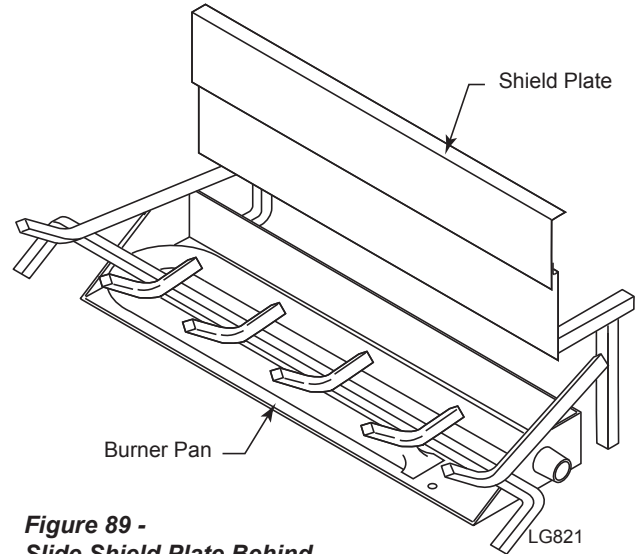


**Figure 87 -
Place Top Left Log**

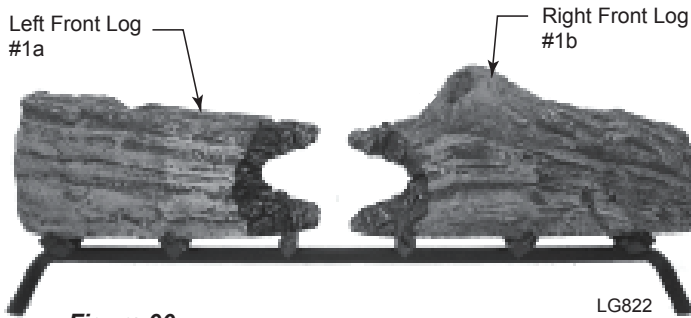
LG837

MODELS VWF30 SPLIT PINE

1. Slide shield plate behind burner pan. *Figure 89*



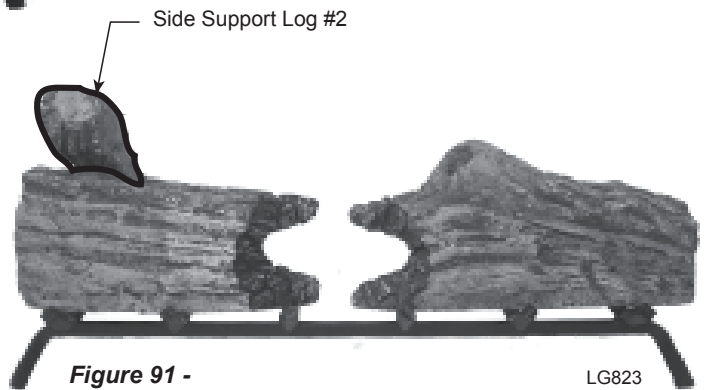
**Figure 89 -
Slide Shield Plate Behind
Burner Pan**



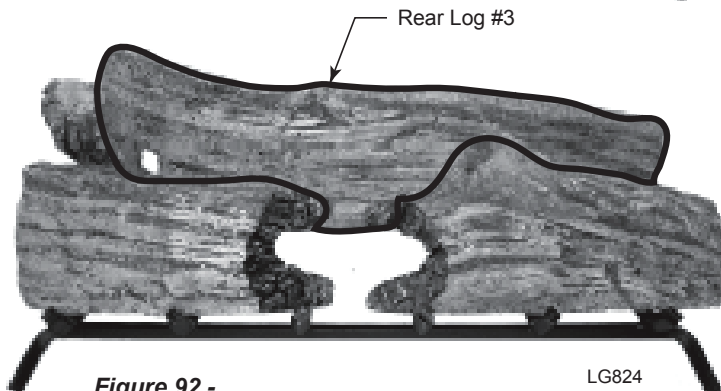
**Figure 90 -
Place Front Logs**

2. Place left front log #1a on front left of grate. *Figure 90*
3. Place right front log #1b on front right of the grate. *Figure 90*

4. Place front end of side support log #2 on top left of log #1a. Rest other end of log #2 on rear grate bar. *Figure 91*

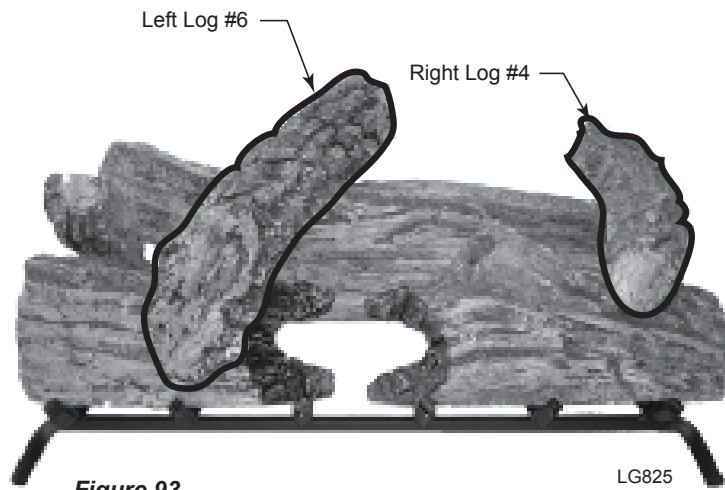


**Figure 91 -
Place Side Support Log**



**Figure 92 -
Place Rear Log**

5. Fit cutout in the bottom left of rear log #3 over the back end of log #2. Rest right end of log #3 on rear grate bar. *Figure 92*

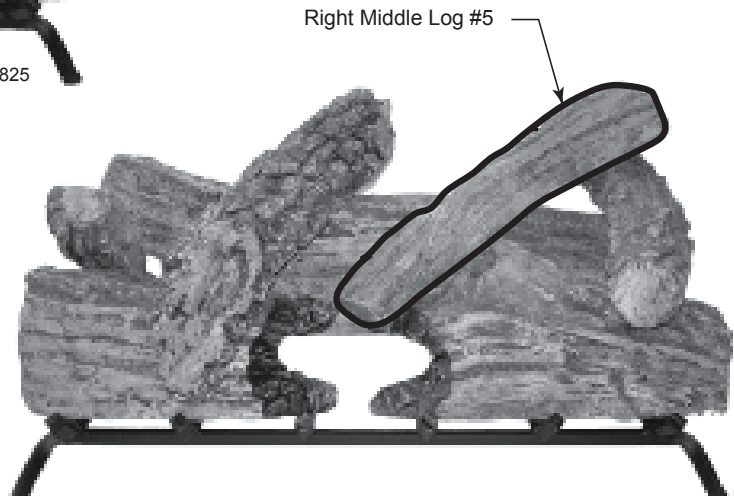


**Figure 93 -
Place Left and Right Logs**

LG825

6. Rest front end of right log #4 on right top of log #1b. The back end of log #4 rests to right hump on log #3. *Figure 93*
7. Rest front of left log #6 just left of the middle of log #1a and back end of log #6 just left of middle of log #3. *Figure 93*

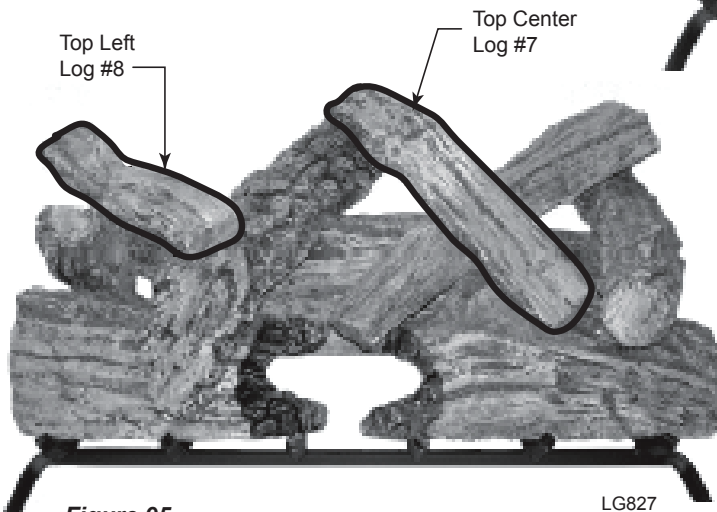
8. Place front of right middle log #5 on top right of log #1a. Rest back end of log #5 on top right of log #4. *Figure 94*



**Figure 94 -
Place Right Middle Log**

LG826

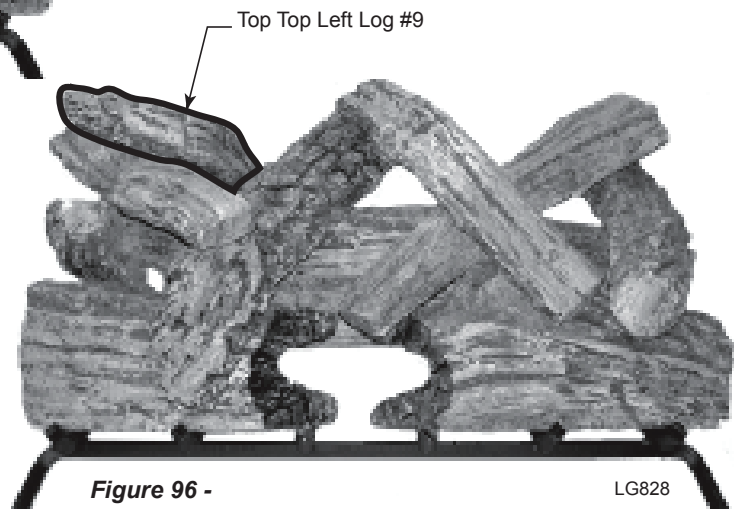
9. Lay top center log #7 across log #5 with front end resting on log #1b. *Figure 95*
10. Place front end of top left log #8 on log #6. Allow back end of log #8 to rest on log #3. *Figure 95*



**Figure 95 -
Place Top Left and Top Center Logs**

LG827

11. Rest front of top top log #9 on log #8 and back of log #9 on left end of log #3. *Figure 96*



**Figure 96 -
Place Top Top Left Log**

LG828

MODEL VWF24/18WP WEATHERED PINE LOG

1. Slide shield plate behind burner pan. *Figure 97*

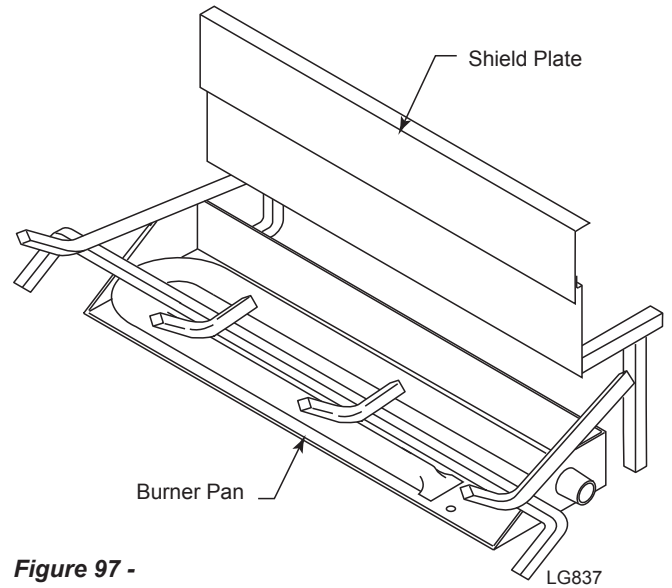


Figure 97 - Slide Shield Plate Behind Burner Pan

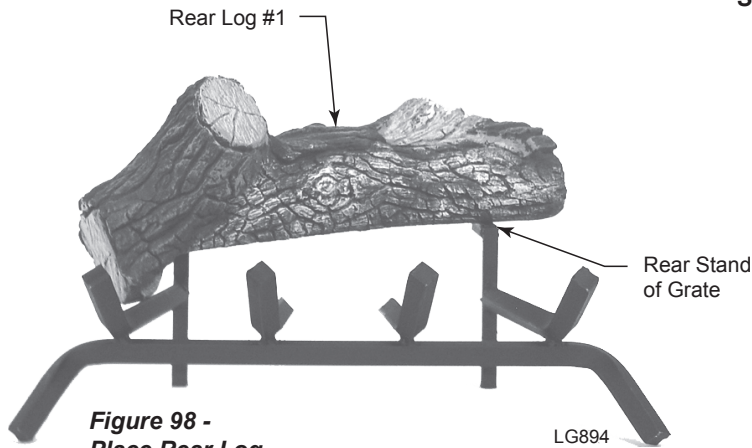


Figure 98 - Place Rear Log

2. Place Rear Log #1 on back of grate. Left side should fit on grate in front of rear stand. Right side goes on the rear stand of grate. *Figure 98*

3. Place Bottom Right Log #2 along outside of grate. Rest end on Rear Log #1. Control knob will stick through bottom notch of log. *Figure 99*

4. Place Bottom Left Log #3 on grate. The "V" of the log should straddle the end grate bar. *Figure 99*

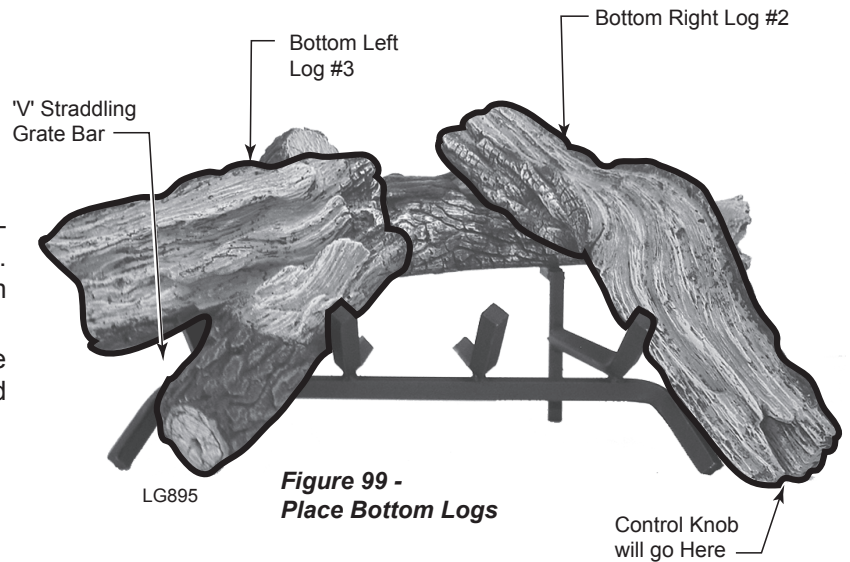
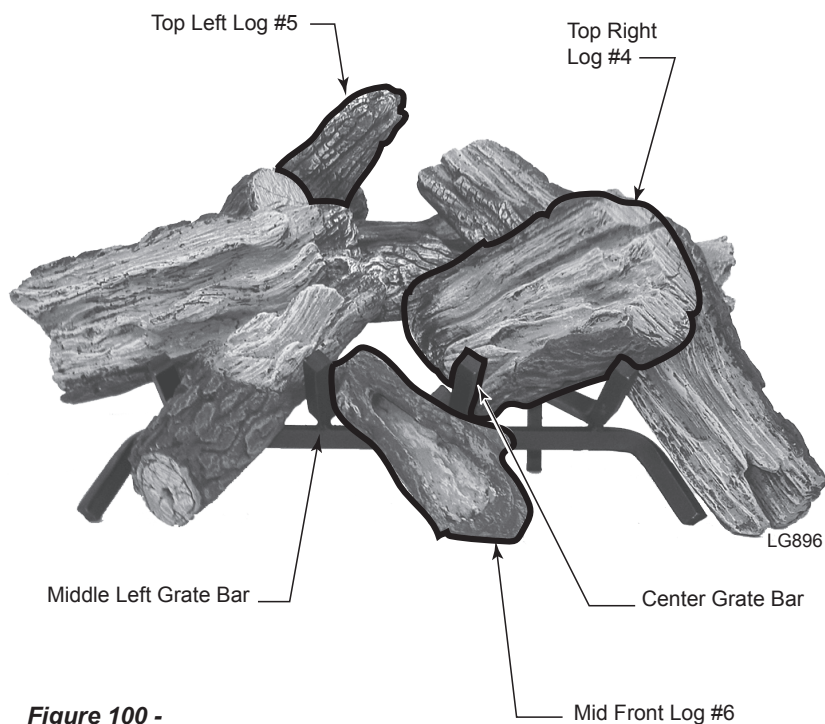


Figure 99 - Place Bottom Logs



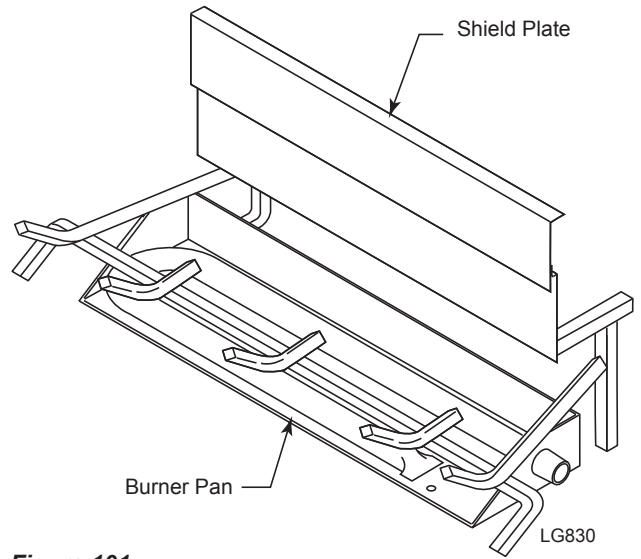
5. Place Top Right Log #4 on Bottom Right Log #2 resting on grate. *Figure 100*
6. Place Top Left Log #5 behind Rear Log #1 on the notch on rear left of grate stand. *Figure 100*
7. Place Mid Front Log #6 on grate between center and middle left grate bars. Fit notch on back of log on the cross grate bar. *Figure 100*

**Figure 100 -
Place Top Logs and Mid Front Log**

MODEL VWF30/24WP WEATHERED PINE

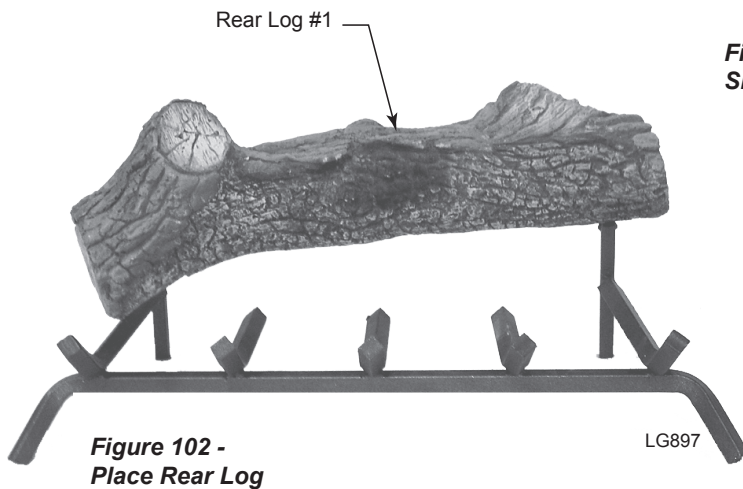
LOG

1. Slide shield plate behind burner pan. *Figure 101*



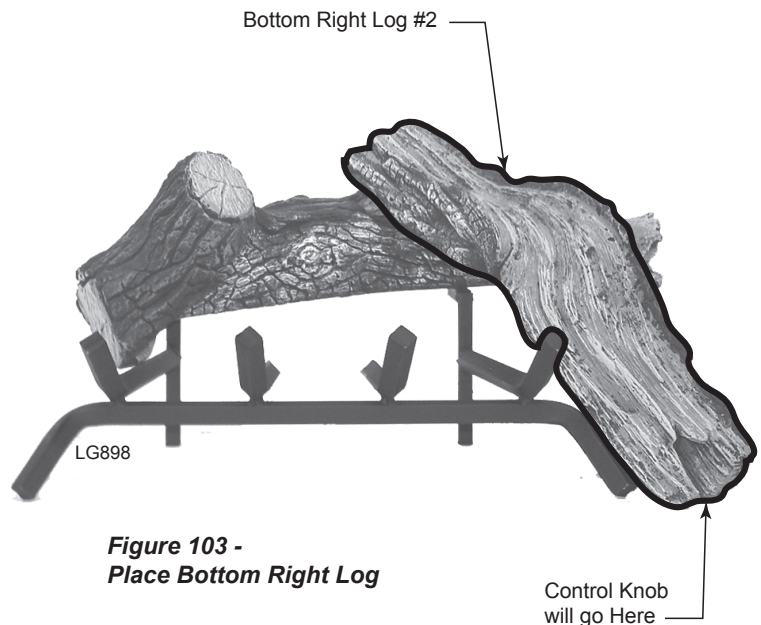
**Figure 101 -
Slide Shield Plate Behind Burner Pan**

2. Place Rear Log #1 on back of grate. Left side should fit on grate in front of rear stand. Right side goes on the rear stand of grate. *Figure 102*

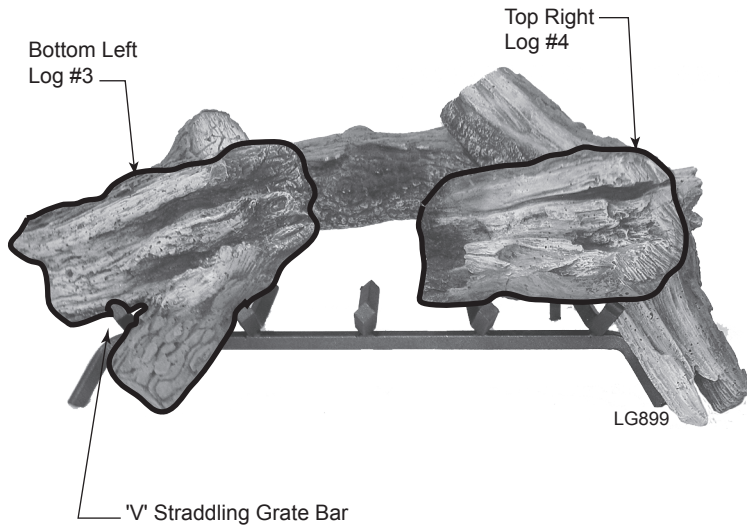


**Figure 102 -
Place Rear Log**

3. Place Bottom Right Log #2 along outside of grate. Rest end on Rear Log #1. Control knob will stick through bottom notch of log. *Figure 103*



**Figure 103 -
Place Bottom Right Log**



4. Place Top Right Log #4 on Bottom Right Log #2 resting on grate. *Figure 104*
5. Place Bottom Left Log #3 on grate. The "V" of the log should straddle the end grate bar. *Figure 104*

Figure 104 - Place Bottom Left and Top Right Logs

6. Place Top Left Log #5 behind rear log #1 on the notch on rear left of grate stand. *Figure 105*
7. Place Mid Front Log #6 on grate between center and middle left grate bars. Fit notch on back of log on the cross grate bar. *Figure 105*
8. Place wide end of Top Center Log #7 on rear log #1. Rest narrow end of top center log #7 to the left of center grate bar barely touching the mid log #6. *Figure 105*

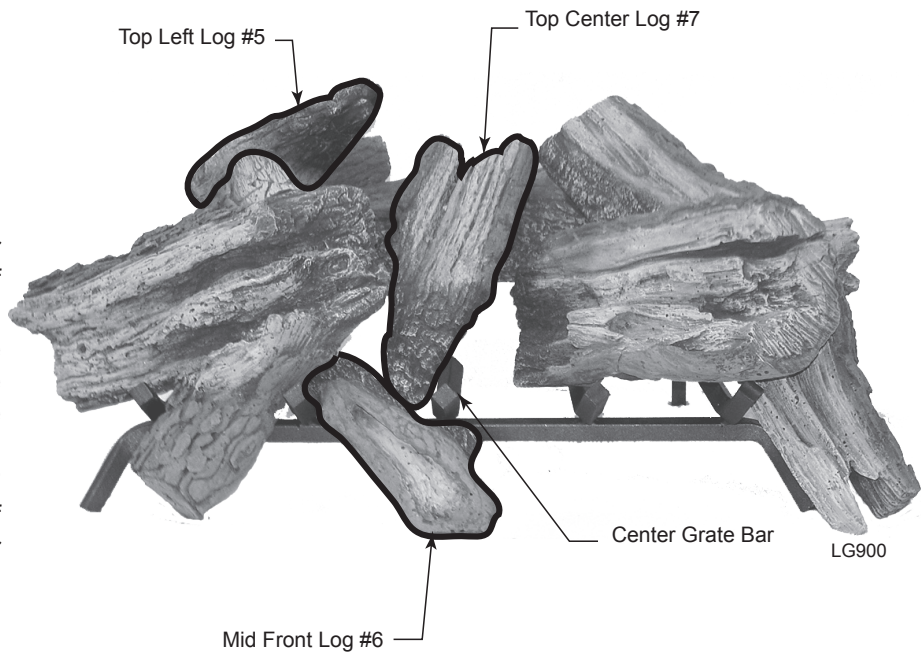


Figure 105 - Place Top Left & Center Logs and Mid Front Log

MODEL VWF36/30WP WEATHERED PINE LOG

1. Slide shield plate behind burner pan. *Figure 106*

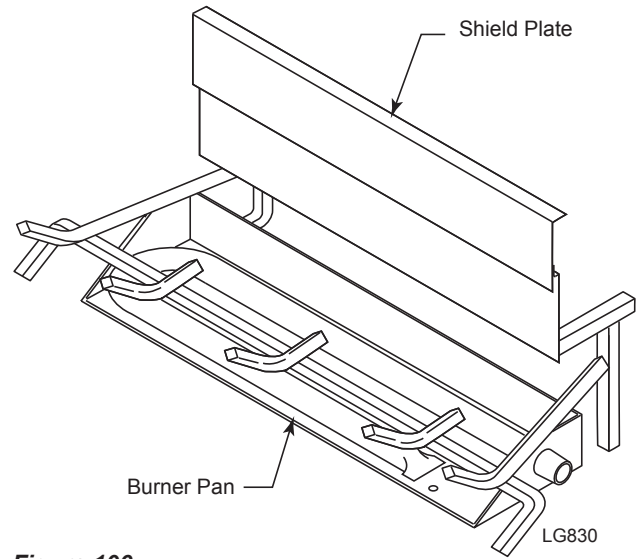


Figure 106 - Slide Shield Plate Behind Burner Pan

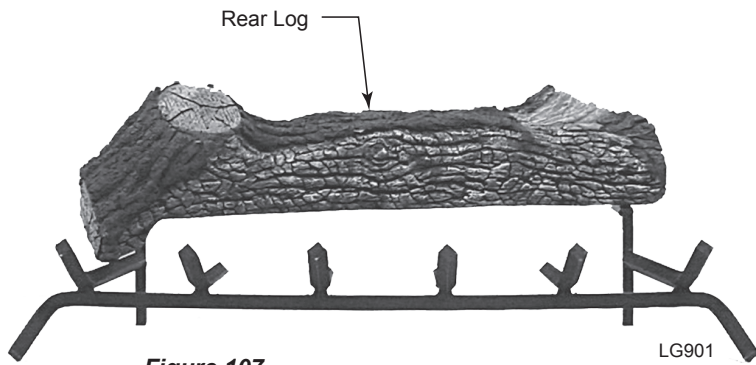


Figure 107 - Place Rear Log

2. Place Rear Log #1 on back of grate. Left side should fit on grate in front of rear stand. Right side goes on the rear stand of grate. *Figure 107*

3. Place Bottom Right Log #2 along outside of grate. Rest end on Rear Log #1. Control knob will stick through bottom notch of log. *Figure 108*
4. Place Bottom Left Log #3 on grate. The "V" of the log should straddle the end grate bar. *Figure 108*

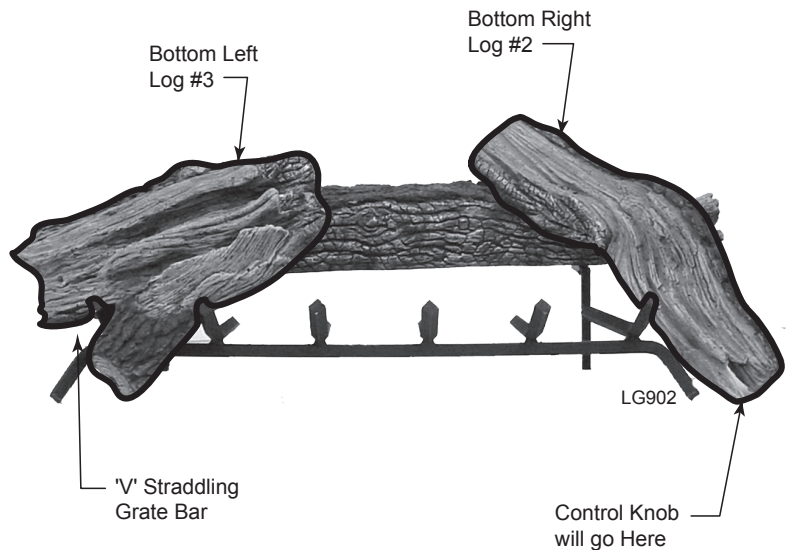
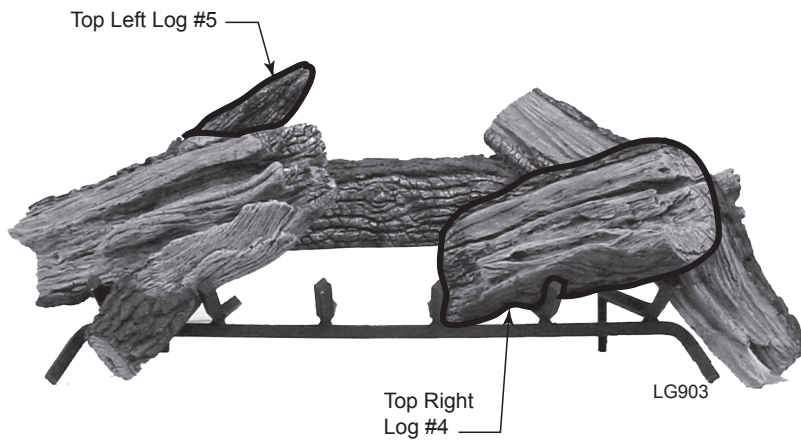


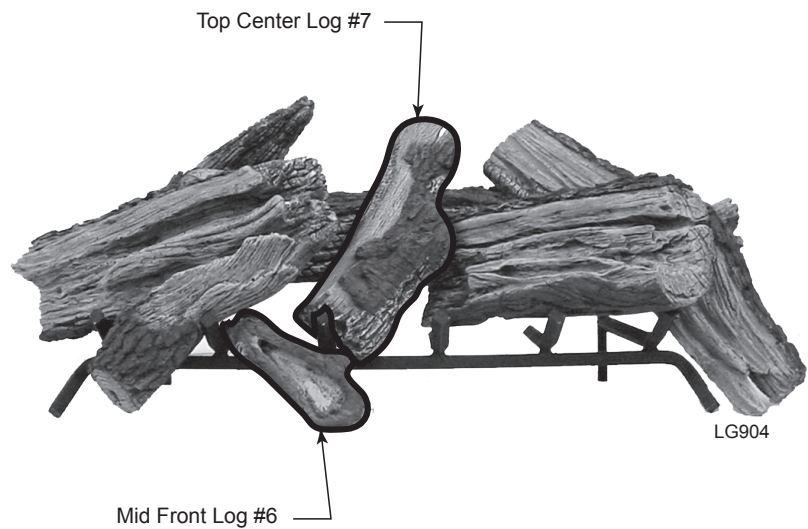
Figure 108 - Place Bottom Logs



**Figure 109 -
Place Top Left and Right Logs**

5. Place Top Right Log #4 on Bottom Right Log #2 resting on grate. *Figure 109*
6. Place Top Left Log #5 behind Rear Log #1 on the notch on rear left of grate stand. *Figure 109*

7. Place Mid Front Log #6 on grate between center and middle left grate bars. Fit notch on back of log on the cross grate bar. *Figure 110*
8. Place wide end of Top Center Log #7 on Rear Log #1. Rest narrow end of Top Center Log #7 to the left of center grate bar barely touching the Mid Log #6. *Figure 110*



**Figure 110 -
Place Top Center and Mid Front Logs**

SAFETY INSTRUCTION FOR MANUAL CONTROL (SPK) AND HI/LO CONTROL (CVTHL)

FOR YOUR SAFETY READ BEFORE LIGHTING

A. BEFORE OPERATING smell all around the appliance area for gas. Be sure to smell next to the floor because some gas is heavier than air and will settle on the floor.

WHAT TO DO IF YOU SMELL GAS:

- Do not attempt to light any appliance.
- Do not touch any electric switch; do not use any phone in your building.
- Immediately call your gas supplier from a neighbor's phone. Follow the gas supplier's instructions.
- If you cannot reach your gas supplier, call the fire department.




WARNING

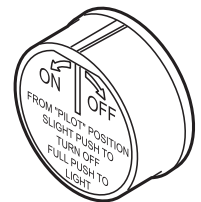
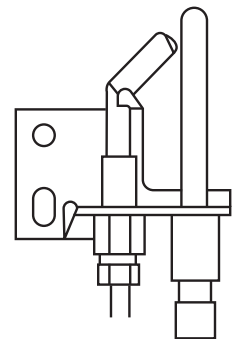
If you do not follow these instructions exactly, a fire or explosion may result causing property damage, personal injury or loss of life.


B. Use only your hand to push in, or turn the gas control knob. Never use tools. If the knob will not push in or turn by hand, don't try to repair it. Call a qualified service technician. Force or attempted repair may result in a fire or explosion.

C. Do not use this appliance if any part of it has been under water. Immediately call a qualified service technician to inspect the appliance and to replace any part of the control system and any gas control that has been under water.

MANUAL CONTROL LIGHTING INSTRUCTIONS

1. STOP! Read the safety information label.
 2. Make sure the manual shutoff valve is fully open.
 3. Push in gas control knob slightly and turn clockwise  to "OFF."
- NOTE: Knob cannot be turned to "OFF" unless knob is pushed in slightly.**
4. Wait five (5) minutes to clear out any gas. Then smell for gas, including near the floor. If you smell gas, STOP! Follow "B" in the safety information label. If you don't smell gas, go to next step.
 5. Find pilot — follow metal tube from gas control.
 6. From "OFF" position, push in gas control knob slightly and turn counterclockwise  to "PILOT." Push in control knob for 5 seconds.
 7. With the control knob pushed in, immediately light the pilot with a match. Continue to hold the control knob in for about one (1) minute after the pilot is lit. Release knob and it will pop back up. Pilot should remain lit. If it goes out, repeat steps 5 through 9.
 - If knob does not pop up when released, stop and immediately call your service technician or gas supplier.
 - If the pilot will not stay lit after several tries, turn the gas control knob to off and call your service technician or gas supplier.
 8. Turn gas control knob counterclockwise  to "ON."




**Control Knob****Manual Pilot****TO TURN OFF GAS TO HEATER**

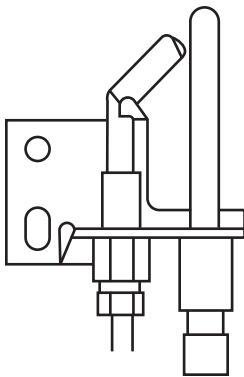
1. Push in gas control knob slightly and turn clockwise  to OFF position. Do not force.

MILLIVOLT CONTROL LIGHTING INSTRUCTIONS

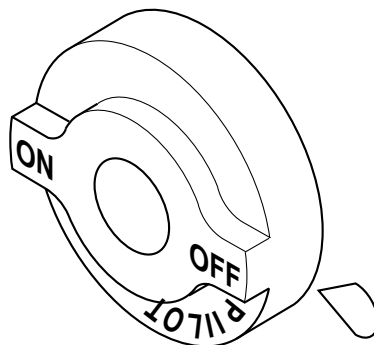
NOTICE

The Millivolt control does not come preassembled with an on/off switch so that it may be customized for the specific application with a wall switch, remote, etc. A switch/remote must be connected to enable the burner to light.

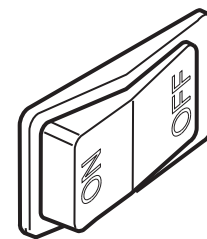
1. **STOP!** Read the safety information label.
2. Make sure the manual shutoff valve is fully open.
3. Turn gas control knob clockwise  to the "OFF" position, and turn ON/OFF switch to "OFF" position.
4. Wait (5) minutes to clear out any gas. Then smell for gas, including near the floor. If you smell gas, STOP!
5. From "OFF" position, turn the gas control knob counterclockwise  to "PILOT" position. Push in control knob for 5 seconds.
6. With the control knob pushed in, light pilot with match.
7. Continue pushing the control knob in for a further 60 seconds to prevent the flame detector from shutting off the gas while the probe is warming up. Release the control knob.
8. Turn gas control knob counterclockwise  to the "ON" position.
9. After the pilot has been lit for one minute, the burners can be turned on. Turn the ON/OFF switch to "ON" position.
10. If the gas logs will not operate, follow the instructions *To Turn Off Gas To Heater* and call your service technician or gas supplier.



Pilot




Control Knob



On/Off Switch

TO TURN OFF GAS TO HEATER

1. Turn control knob clockwise  to OFF position to completely shut off the heater.
2. If applicable: Turn ON/OFF switch to OFF position.

SAFETY INSTRUCTION FOR MANUAL CONTROL WITHOUT PILOT

WARNING

If you do not follow these instructions exactly, a fire or explosion may result causing property damage, personal injury or loss of life.



FOR YOUR SAFETY READ BEFORE LIGHTING

A. BEFORE OPERATING smell all around the appliance area for gas. Be sure to smell next to the floor because some gas is heavier than air and will settle on the floor.

WHAT TO DO IF YOU SMELL GAS:

- Do not attempt to light any appliance.
 - Do not touch any electric switch; do not use any phone in your building.
 - Immediately call your gas supplier from a neighbor's phone. Follow the gas supplier's instructions.
 - If you cannot reach your gas supplier, call the fire department.
- B.** Use only your hand to push in, or turn the gas control knob. Never use tools. If the knob will not push in or turn by hand, don't try to repair it. Call a qualified service technician. Force or attempted repair may result in a fire or explosion.
- C.** Do not use this appliance if any part of it has been under water. Immediately call a qualified service technician to inspect the appliance and to replace any part of the control system and any gas control that has been under water.

MANUAL CONTROL LIGHTING INSTRUCTIONS

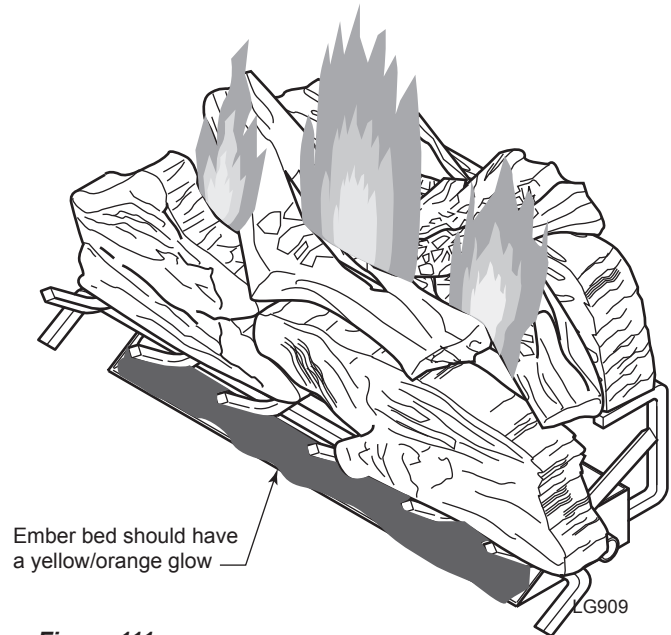
1. STOP! Read the safety information label.
2. WARNING: BE SURE THE CHIMNEY DAMPER IS FULLY OPEN.
3. Make sure the manual shutoff valve is fully open, and the gas control valve is fully off.
4. Wait five (5) minutes to clear out any gas. Then smell for gas, including near the floor. If you smell gas, STOP! Follow "B" in the safety information label. If you don't smell gas, go to next step.
5. Place a burning match on the surface of the burner embers (granules). Do not hold the match in hand. Slowly turn the manual valve counterclockwise  to "ON".
6. If the burner does not light before the match goes out, immediately turn the manual valve clockwise  to "OFF"

TO TURN OFF GAS TO HEATER

1. Turn the manual valve clockwise  to "OFF."

CHECKING BURNER FLAMES

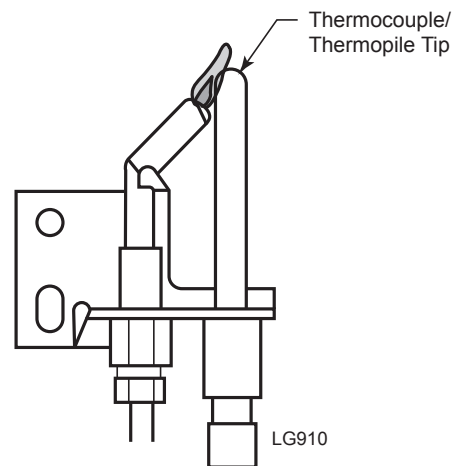
Flame should be yellow and extend vertically (not curling toward fireplace screen).



**Figure 111 -
Flame Appearance**

PILOT FLAME APPEARANCE

The pilot flame must always be present when appliance is operating. It should just touch the top of the thermocouple/thermopile tip.



**Figure 112 -
Pilot Flame Appearance**

During manufacturing, fabricating, and shipping, various components of this appliance are treated with certain oils, films, or bonding agents. These chemicals are not harmful, but may produce annoying smoke and smells as they burn off the first time the appliance is used. Operate the appliance 2 to 3 hours at the highest setting to burn off all the oils, films, etc. Never use this appliance with glassed doors closed. This could cause the pilot to go out and severe sooting outside the fireplace. Always operate this appliance with the fireplace screens in place.

IMPORTANT: Fireplace Draft Test During Initial Installation

It is critical to verify that your chimney is drafting properly because the fireplace and gas logs function as a system.

Although MHSC goes to great lengths to design vented gas log sets that minimize sooting, all vented log sets will soot over time. Sooting normally appears as areas of black powder-like substance on the logs. It is important to periodically clean and inspect the logs per the cleaning and servicing.

WARNING

Fireplace systems that do not draft properly can increase the amount of soot produced by normal operation of the log set and, in extreme cases, can cause soot to be deposited within the room. This effect can be a sign of a blocked chimney, a faulty vent system or the result of negative pressure within the home. The dealer should be able to diagnose if a problem exists and be able to provide a solution to improve the venting of the fireplace.

FIREPLACE DRAFT TEST METHOD

To determine if your fireplace is drafting properly, turn the log set on. After log set has been burning for about 10 minutes, place a match or smoke stick along the top and sides of the fireplace opening. If the flame or smoke is not pulled into the fireplace, then **the fireplace is not venting properly**. At this point, the damper stop should be adjusted so that the damper opening is increased. If the problem remains after the open area of the damper is increased, then the fireplace system should be professionally inspected to determine if your firebox/chimney is venting properly.

REMOTE CONTROL RECEIVER REPLACEMENT

The remote control receiver and batteries are very sensitive to heat. Exposure to high temperatures can cause the receiver to malfunction and shorten the life of the batteries. If your fireplace does NOT have a restrictive barrier (Page 6), such as glass doors, it is recommended that the remote receiver be affixed to the right hand side of the heat shield or placed in the front, right corner of the fireplace. If your fireplace has a restrictive barrier, it is recommended that the remote receiver be placed outside of the fireplace.

WARNING

Turn off gas logs and allow to cool before cleaning. Disconnect electrical power if applicable before cleaning or servicing.



Remove Soot with a Soft Bristle Brush

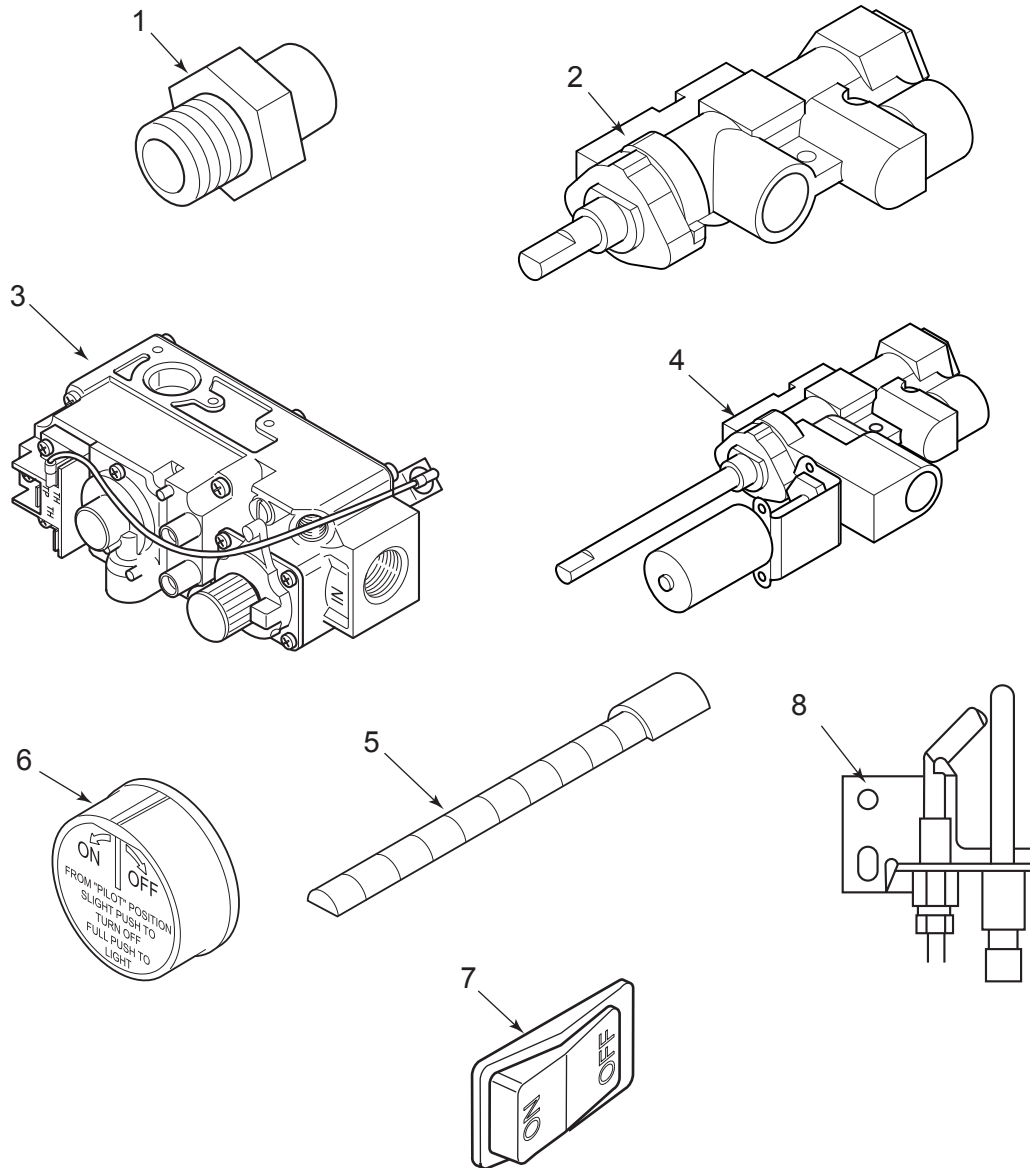
The log set should be cleaned at least once a year for maximum performance.

Turn gas supply off. Allow unit to cool. Remove logs, handling carefully by holding gently at each end. Gloves are recommended when handling the log to prevent skin irritation from ceramic fibers. If skin becomes irritated, wash gently with soap and water. Refer to manual for correct log placement. Brush each log gently with a soft bristle brush. This will remove soot that has built up on the log set. **DO NOT USE LIQUID SOOT REMOVER ON LOGS!**

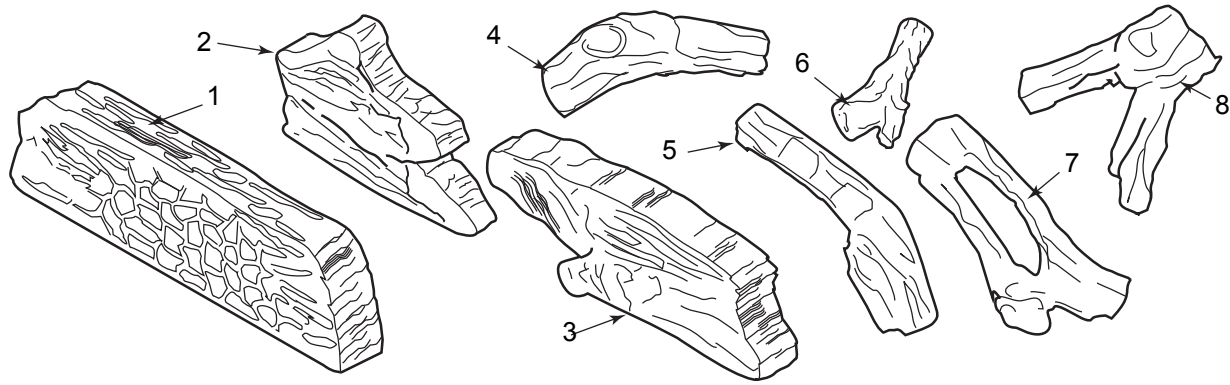
To refurbish the grate, remove grate and take it outside. Use a wire brush or sandpaper to remove any discoloration to the grate. Paint grate with high temperature black paint (barbecue paint). Reinstall grate after paint dries.

If embers (rock wool) have turned a rust color and become brittle, remove old embers (rock wool) from log set. Replace with new rock wool. Rock wool can be purchased from you local dealer. See log placement section for placement of embers.

ASSEMBLY



Ref.	Description	SPK-NGA	SPK-LPA	MVVKNA	MVVKLPA	CVTHL-NG	CVTHL-LP	MANVK
1.	Injector	27D7022	27D0406	27D7022	27D0406	27D7022	27D0406	27D7022
2.	Manual Control Valve	27D8951	27D8951	--	--	--	--	27D0303
3.	Millivolt Control Valve	--	--	27D8006	27D8005	--	--	--
4.	Hi/Lo Control Valve (CVTHL)	--	--	--	--	27D8954	27D8954	--
5.	Manual Shaft Extender (2 required)	27D0410	27D0410	--	--	--	--	27D0410
6.	Control Knob	27D0602	27D0602	--	--	--	--	27D0417
7.	Switch	--	--	32D0232	32D0232	--	--	--
8.	Pilot	27D0301	27D0302	27D2052	27D2053	27D0301	27D0302	--

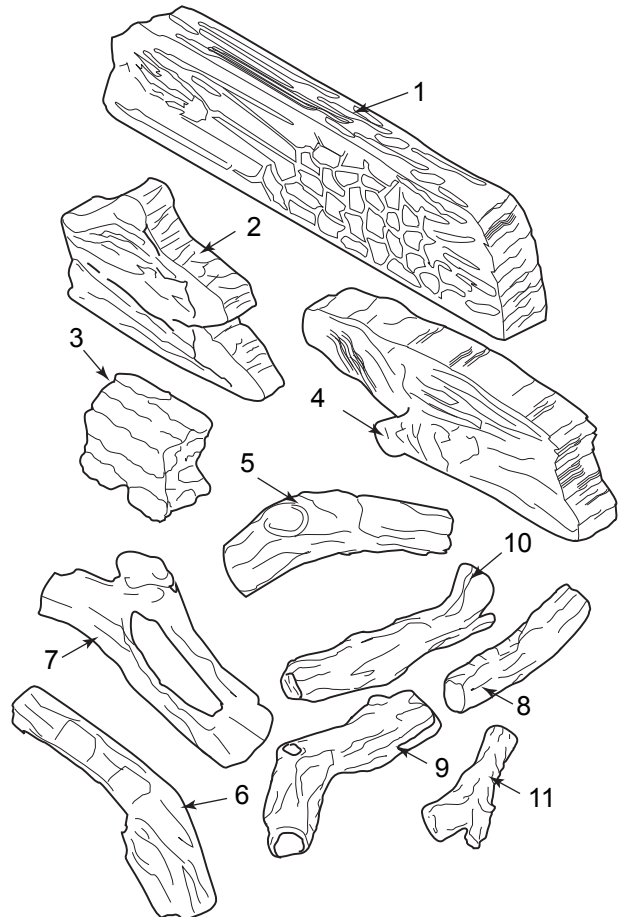


MASSIVE OAK LOGS

Ref.	Description	Qty.	VWF18MO	VWF24MO	VWF30MO
1.	Back Log	1	27D7500	27D7506	27D7510
2.	Left Front Log	1	27D7501	27D7507	27D7511
3.	Right Front Log	1	27D7502	27D7508	27D7512
4.	Left Side Middle Log	1	27D7503	27D7503	27D7503
5.	Right Side Middle Log	1	27D7504	27D7504	27D7504
6.	Right Top Log	1	27D8826	27D8826	27D8826
7.	Left Top Log	1	--	27D7509	27D7509
8.	Top Crossover Log	1	--	--	27D7513

MASSIVE OAK LOGS

Ref.	Description	Qty.	VWF36MO
1.	Rear Log	1	27D8824
2.	Left Front Log	1	27D7511
3.	Center Front Log	1	27D8825
4.	Right Front Log	1	27D7512
5.	Left Side Log	1	27D7503
6.	Right Side Log	1	27D7504
7.	Right Side Middle Log	1	27D7509
8.	Top Log	1	27D8599
9.	Top Log	1	27D8581
10.	Top Log	1	27D8586
11.	Top Left Log	1	27D8826



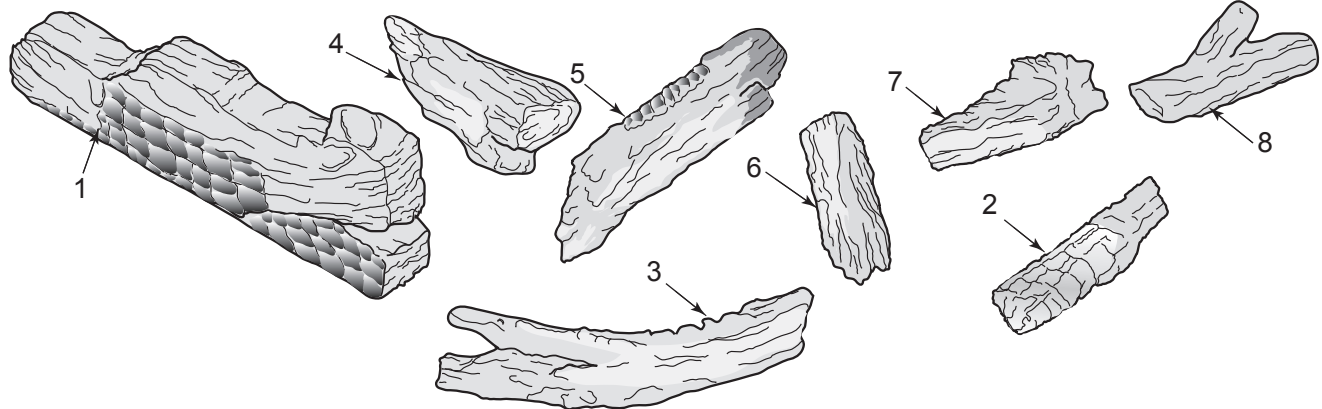
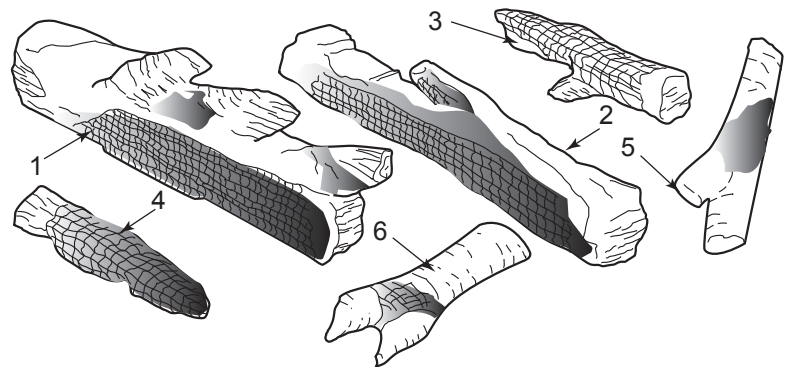


AMERICAN OAK LOGS

Ref.	Description	Qty.	VWF18AO	VWF24AO	VWF30AO
1.	Front Log	1	27D8576	27D8584	27D8592
2.	Back Log	1	27D8577	27D8585	27D8593
3.	Right Middle Log	1	--	27D8588	--
4.	Left Middle Log	2	27D8580	27D8580	27D8580
5.	Top Right Log	2	--	--	27D8594
6.	Top Left Log	1	--	27D8587	--
7.	Top Center Log	1	--	--	27D8578
7.	Top Center Log	2	27D8578	--	--
8.	Top Top Center Log	1	--	--	27D8600

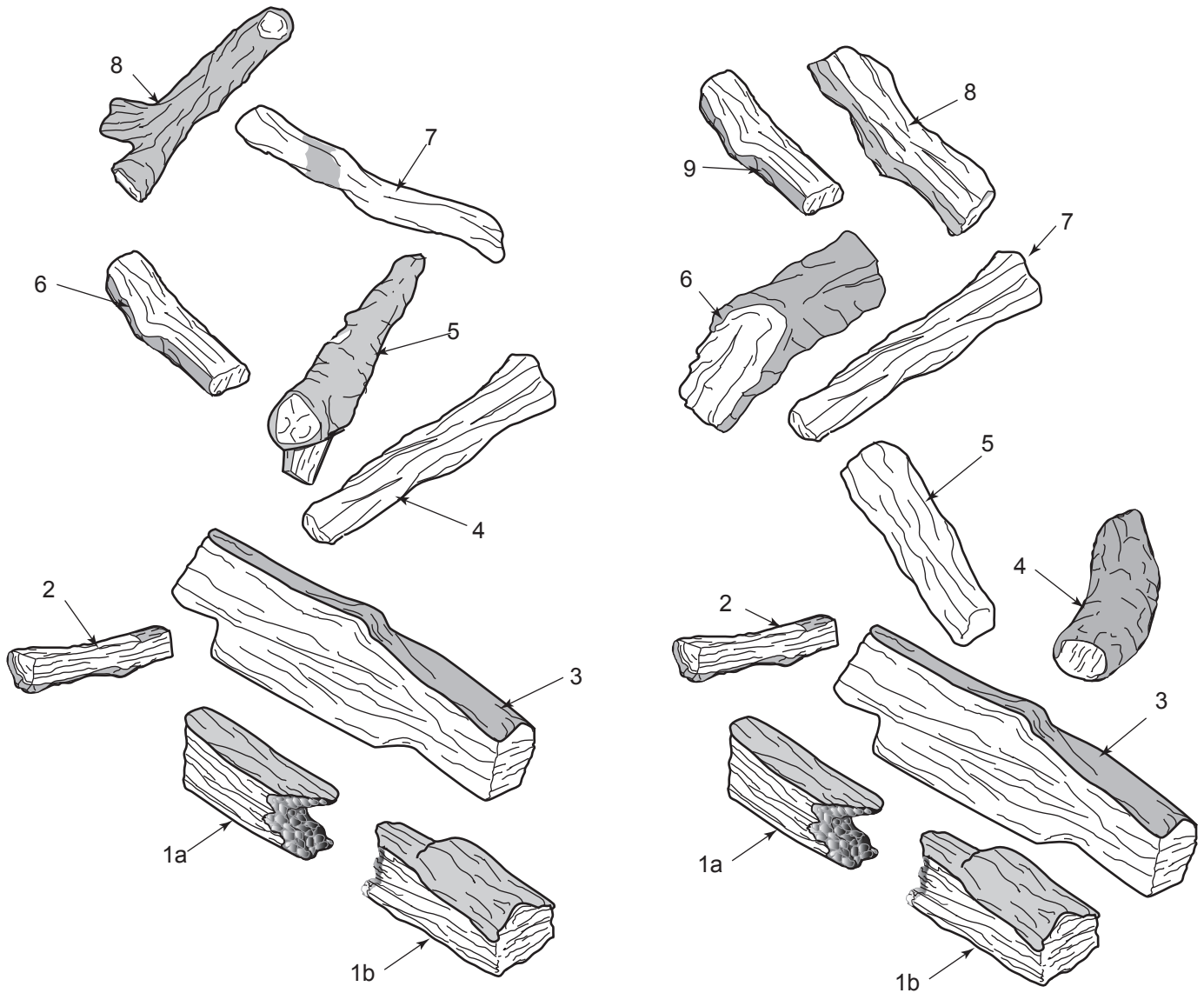
BIRCH LOGS

Ref.	Description	Qty.	VWF24B
1.	Back Log	1	27D1026
2.	Middle Log	1	27D1025
3.	Right Front Log	1	27D1024
4.	Left Front Log	1	27D1023
5.	Top Right Log	1	27D1028
6.	Top Left Log	1	27D1027



SPLIT RIVER OAK LOGS

Ref.	Description	Qty.	VWF24/18SRO	VWF30/24SRO	VWF36/30SRO
1.	Front Log	1	27D8800	27D8807	27D8814
2.	Bottom Left Log	1	27D8801	27D8808	27D8815
3.	Bottom Right Log	1	27D8802	27D8809	27D8816
4.	Top Right Log	1	27D8803	27D8810	27D8817
5.	Bottom Front Left Log	1	27D8804	27D8811	27D8818
6.	Top Left Log	1	27D8805	27D8812	27D8812
7.	Center Top Log	1	27D8806	27D8813	27D8820
8.	Front Right Log	1	--	--	27D8821

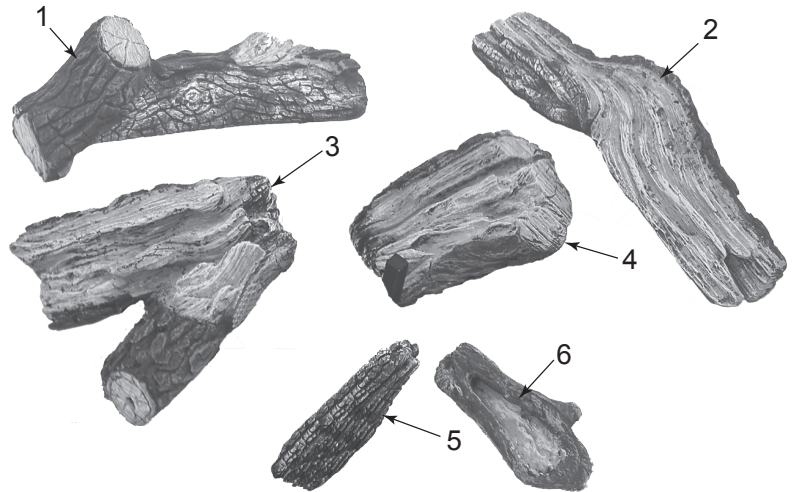


SPLIT PINE LOGS

Ref.	Description	Qty.	VWF18SP	VWF24SP	VWF30SP
1a.	Front Left Log	1	27D8700	27D8702	27D8704
1b.	Right Front Log	1	27D8701	27D8703	27D8705
2.	Side Support Log	1	27D8551	27D8559	27D8567
3.	Rear Log	1	27D8552	27D8560	27D8568
4.	Right Log	1	27D8555	27D8561	27D8569
5.	Right Middle Log	1	27D8554	27D8562	27D8570
6.	Left Log	1	--	27D8563	27D8571
7.	Top Center Log	1	27D8556	27D8564	27D8572
8.	Top Left Log	1	27D8557	27D8565	27D8573
9.	Top Top Left Log	1	--	--	27D8574

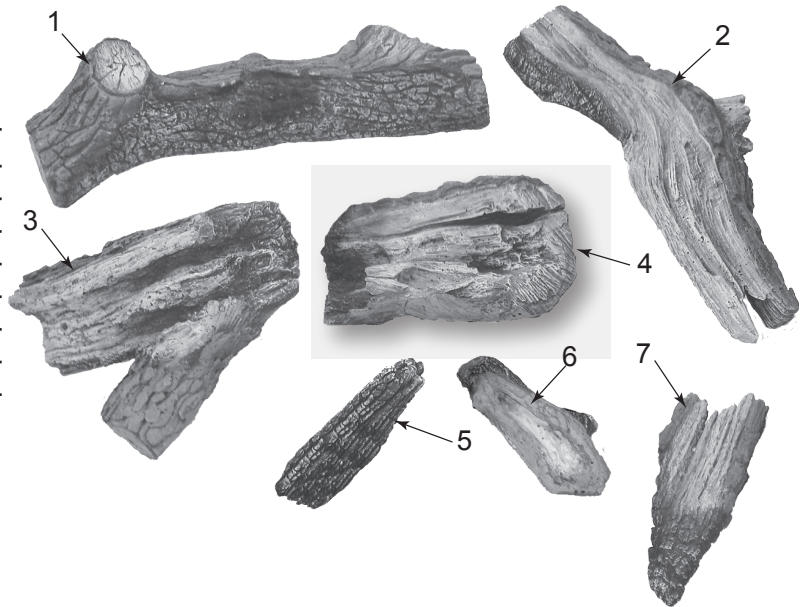
WEATHERED PINE LOGS

Ref.	Description	Qty.	VWF24/18WP
1.	Rear Log	1	27D5140
2.	Bottom Right Log	1	27D5141
3.	Bottom Left Log	1	27D5142
4.	Top Right Log	1	27D5143
5.	Top Left Log	1	27D5144
6.	Mid Front Log	1	27D5145



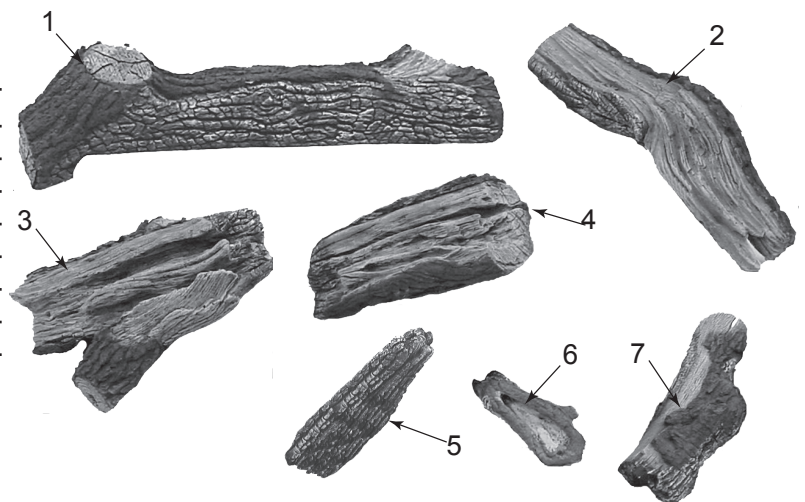
WEATHERED PINE LOGS

Ref.	Description	Qty.	VWF30/24WP
1.	Rear Log	1	27D5146
2.	Bottom Right Log	1	27D5147
3.	Bottom Left Log	1	27D5148
4.	Top Right Log	1	27D5149
5.	Top Left Log	1	27D5150
6.	Mid Front Log	1	27D5145
7.	Top Center Log	1	27D5151



WEATHERED PINE LOGS

Ref.	Description	Qty.	VWF36/30WP
1.	Rear Log	1	27D5152
2.	Bottom Right Log	1	27D5153
3.	Bottom Left Log	1	27D5154
4.	Top Right Log	1	27D5155
5.	Top Left Log	1	27D5156
6.	Mid Front Log	1	27D5145
7.	Top Center Log	1	27D5157



Massachusetts Residents Only — Please read and follow these special requirements

NOTE REGARDING VENTED PRODUCTS

This product must be installed by a licensed plumber or gas fitter when installed within the Commonwealth of Massachusetts.

Any residence with a direct vent product must have a CO detector installed in the residence.

Installation of the fireplace or vented gas log in the State of Massachusetts requires the damper to be permanently removed or welded in the fully open position.

In addition, a naturally vented gas log may not be installed in a bedroom or bathroom in the State of Massachusetts.

Flex line installation must not exceed 36 inches and must have a T shutoff valve.

NOTE REGARDING VENT FREE PRODUCTS

This product must be installed by a licensed plumber or gas fitter when installed within the Commonwealth of Massachusetts.

In addition, vent free products may not be installed in a bedroom or bathroom regardless of size or type in the State of Massachusetts.

Flex line installation must not exceed 36 inches and must have a T shutoff valve.

CARBON MONOXIDE DETECTOR REQUIREMENTS

(2) Revise 10.8.3 by adding the following additional requirements:

(a) For all side wall horizontally vented gas fueled equipment installed in every dwelling, building or structure used in whole or in part for residential purposes, including those owned or operated by the Commonwealth and where the side wall exhaust vent termination is less than seven (7) feet above finished grade in the area of the venting, including but not limited to decks and porches, the following requirements shall be satisfied:

1. **Installation of carbon monoxide detectors.** At the time of installation of the side wall horizontal vented gas fueled equipment, the installing plumber or gas fitter shall observe that a hard wired carbon monoxide detector with an alarm and battery back-up is installed on the floor level where the gas equipment is to be installed. In addition, the installing plumber or gas fitter shall observe that a battery operated or hard wired carbon monoxide detector with an alarm is installed on each additional level of the dwelling, building or structure served by the side wall horizontal vented gas fueled equipment. It shall be the responsibility of the property owner to secure the services of qualified licensed professionals for the installation of hard wired carbon monoxide detectors

a. In the event that the side wall horizontally vented gas fueled equipment is installed in a crawl space or an attic, the hard wired carbon monoxide detector with alarm and battery back-up may be installed on the next adjacent floor level.

b. In the event that the requirements of this subdivision can not be met at the time of completion of installation, the owner shall have a period of thirty (30) days to comply with the above requirements; provided, however, that during said thirty (30) day period, a battery operated carbon monoxide detector with an alarm shall be installed.

2. **Approved Carbon Monoxide Detectors.** Each carbon monoxide detector as required in accordance with the above provisions shall comply with NFPA 720 and be ANSI/UL 2034 listed and IAS certified.

3. **Signage.** A metal or plastic identification plate shall be permanently mounted to the exterior of the building at a minimum height of eight (8) feet above grade directly in line with the exhaust vent terminal for the horizontally vented gas fueled heating appliance or equipment. The sign shall read, in print size no less than one-half (1/2) inch in size, "GAS VENT DIRECTLY BELOW. KEEP CLEAR OF ALL OBSTRUCTIONS."

4. **Inspection.** The state or local gas inspector of the side wall horizontally vented gas fueled equipment shall not approve the installation unless, upon inspection, the inspector observes carbon monoxide detectors and signage installed in accordance with the provisions of 248 CMR 5.08(2)(a)1 through 4.

(b) **Exemptions:** The following equipment is exempt from 248 CMR 5.08(2)(a)1 through 4:

1. The equipment listed in Chapter 10 entitled "Equipment Not Required To Be Vented" in the most current edition of NFPA 54 as adopted by the Board; and

2. Product Approved side wall horizontally vented gas fueled equipment installed in a room or structure separate from the dwelling, building or structure used in whole or in part for residential purposes.

(c) **Manufacturer requirements — Gas Equipment Venting System Provided.** When the manufacturer of Product Approved side wall horizontally vented gas equipment provides a venting system design or venting system components with the equipment, the instructions provided by the manufacturer for installation of the equipment and the venting system shall include:

1. Detailed instructions for the installation of the venting system design or the venting system components; and

2. A complete parts list for the venting system design or venting system.

(d) **Manufacturer requirements — Gas Equipment Venting System Not Provided.** When the manufacturer of a Product Approved side wall horizontally vented gas fueled equipment does not provide the parts for venting the flue gases, but identifies "special venting systems," the following requirements shall be satisfied by the manufacturer:

1. The referenced "special venting system" instructions shall be included with the appliance or equipment installation instructions; and

2. The "special venting systems" shall be Product Approved by the Board, and the instructions for that system shall include a parts list and detailed installation instructions.

(e) A copy of all installation instructions for all Product Approved side wall horizontally vented gas fueled equipment, all venting instructions, all parts lists for venting instructions, and/or all venting design

LIMITED LIFETIME WARRANTY POLICY

LIFETIME WARRANTY

The following components are warranted for life to the original owner, subject to proof of purchase: Firebox, Combustion Chamber, Heat Exchanger, Grate, Stainless Steel Burners, and Vented Fiber Ceramic and Refractory Logs.

FIVE YEAR WARRANTY

The following components are warranted for 5 years to the original owner, subject of proof of purchase: Aluminized Burners.

BASIC WARRANTY

MHSC warrants the components and materials in your gas appliance to be free from manufacturing and material defects for a period of two years from date of installation. After installation, if any of the components manufactured by MHSC in the appliance are found to be defective in materials or workmanship, MHSC will, at its option, replace or repair the defective components at no charge to the original owner. MHSC will also pay for reasonable labor costs incurred in replacing or repairing such components for a period of two years from the date of installation. Any products presented for warranty repair must be accompanied by a dated proof of purchase.

This Limited Warranty will be void if the appliance is not installed by a qualified installer in accordance with the installation instructions. The Limited Lifetime Warranty will also be void if the appliance is not operated and maintained according to the operating instructions supplied with the appliance, and does not extend to (1) firebox/burner assembly damage by accident, neglect, misuse, abuse, alteration, negligence of others, including the installation thereof by unqualified installers, (2) the costs of removal, reinstallation or transportation of defective parts on the appliance, or (3) incidental or consequential damage. All service work must be performed by an authorized service representative.

This warranty is expressly in lieu of other warranties, express or implied, including the warranty of merchantability of fitness for purpose and of all other obligations or liabilities. MHSC does not assume for it any other obligations or liability in connection with the sale or use of the appliance. In states that do not allow limitations on how long an implied warranty lasts, or do not allow exclusion of indirect damages, those limitations of exclusions may not apply to you. You may also have additional rights not covered in this Limited Warranty.

MHSC reserves the right to investigate any and all claims against the Limited Warranty and decide upon method of settlement.

IF WARRANTY SERVICE IS NEEDED...

1. Contact your supplier. Make sure you have your warranty, your sales receipt and the model/serial number of your MHSC product.
2. DO NOT ATTEMPT TO DO ANY SERVICE WORK YOURSELF.

MHSC

149 Cleveland Drive • Paris, Kentucky 40361
www.mhsc.com