

PRODUCT SPECIFICATIONS  
**300DVBS7 Direct Vent System**



**GLASS VIEWING AREA**

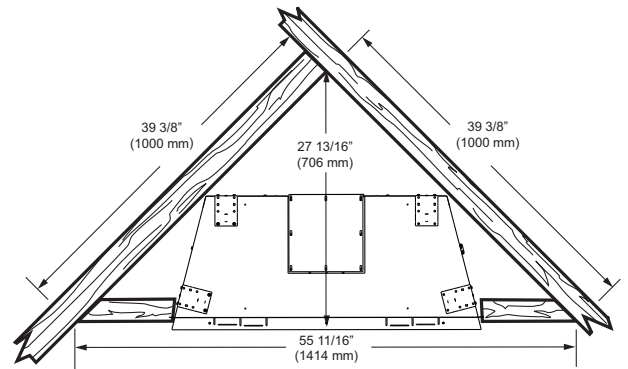
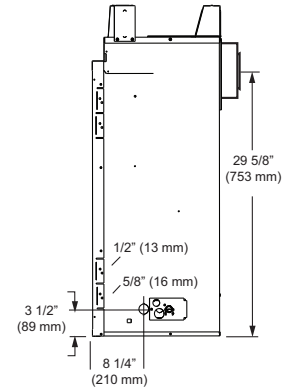
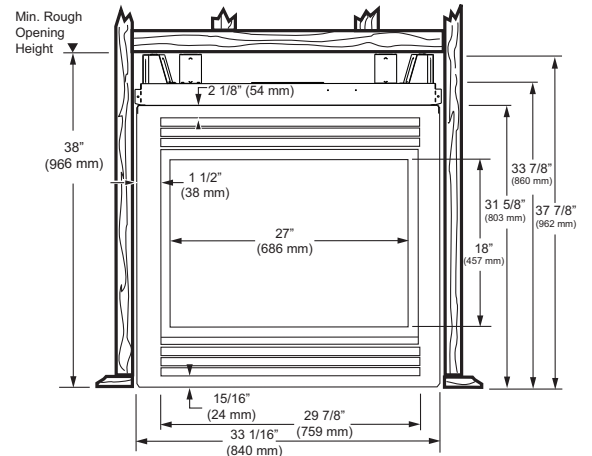
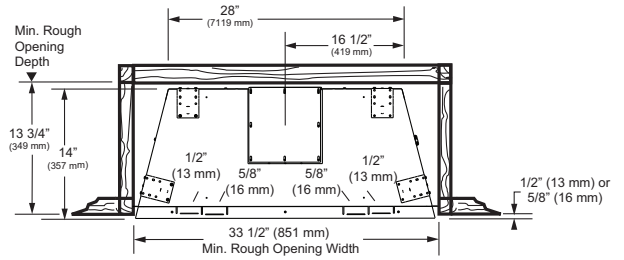
27"W x 18"H (486 sq. in.)  
 (686 mm x 457 mm, 3135 cm<sup>2</sup>)

**STANDARD FEATURES**

- Unitized black louver assembly
- Ember bed burner
- Ceramic Fiber logs
- Grate
- Junction box
- Deluxe control panel

**FIELD INSTALLED ACCESSORIES**

- Firebrick: Tavern Brown, Cottage Red
- Curved Trim: Black, Stainless Steel
- Medium Trim Kit: Black, Stainless Steel
- Manual Blower and Cord (160cfm): FK-12
- Thermostat Blower (160cfm): BLOT
- Signature Command Blower (160cfm): BLOTSC (requires purchase of SCSACM & TSFSC)
- Signature Command Remotes & Thermostats: RMSC, TSMSC, TSTSC, TSFSC, WT)
- Signature Command Accessories: A/C Accessory, Module and Command Center, Wall Mount Kits
- Mesh Screen Glass Cover
- Wood Cabinet Surrounds
- Designer Facings



# PRODUCT SPECIFICATIONS 300DVBS7 Direct Vent System

## TECHNICAL SPECIFICATIONS

BTU Input: 21,000 Max, 15,000 Min. (Nat)  
 Ignition System: Signature Command System (AC w/ battery back up)  
 Gas Type: Natural Gas or Liquid Propane  
 Flue Type: 4 x 7 Twist Lock, Flex Vent\*  
 Termination: Top/Rear Convertible  
 Design Certified: CSA

## CLEARANCE TO FLUE

Horizontal: 3" (26 mm) Top, 1" (25 mm) Bottom and sides\*\*  
 Vertical: 1" (25 mm) on all sides

## CLEARANCE TO COMBUSTIBLES

Fireplace: 0" Clearance to stand offs all sides  
 Floor of unit to Ceiling: 71" (1.8 m) to combustibles  
 Firebox Opening to Wall: 4" (102 mm) to combustibles  
 Hearth Requirement: 0" clearance

## EFFICIENCY DATA

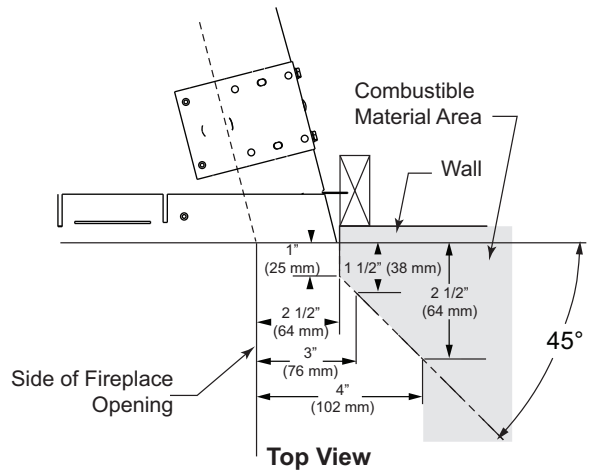
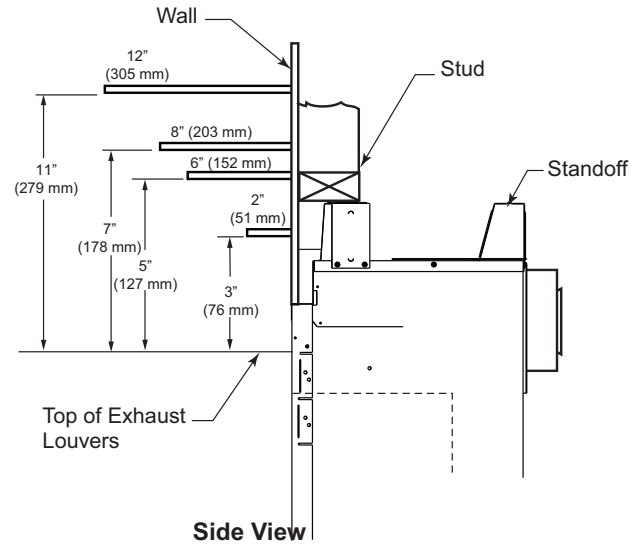
Thermal Efficiency: Up to 80% Nat / 80% LP  
 AFUE Efficiency: 63.1% Nat / 63.2% LP  
 P4 Canada Efficiency: 61.8% Nat / 55.7% LP

\*Simpson Dura-Vent, Selkirk Metalbestos and Metalfab are also approved for vent applications (requires adapter).

\*\*When vertical rise is 7-1/2 feet (2.29 m) or higher from base of unit, the horizontal vent clearance to combustibles is 1" (25 mm) all sides.

## MANTEL CLEARANCES

NOTE: The combustible area above the facing must not protrude more than 1/2" (19 mm) from the facing. If it does, it is considered a mantel and must meet the mantel requirements listed here.



# MAJESTIC



A Brand of Monessen Hearth Systems Co.  
 149 Cleveland Drive, Paris, Kentucky 40361  
[www.majesticproducts.com](http://www.majesticproducts.com)

To avoid personal injury or property damage, the product described by this brochure must be installed, operated and maintained in strict compliance with the instructions packaged with the product and all applicable building or fire codes. Contact local building or fire officials about restrictions and installation inspection requirements. All photographs and drawings on this brochure are for illustrative purposes only and are not intended for, nor should they be used as a substitute for the instructions packaged with the unit. Appearance and specifications of the product are subject to change without notice. 04/11 ver.2