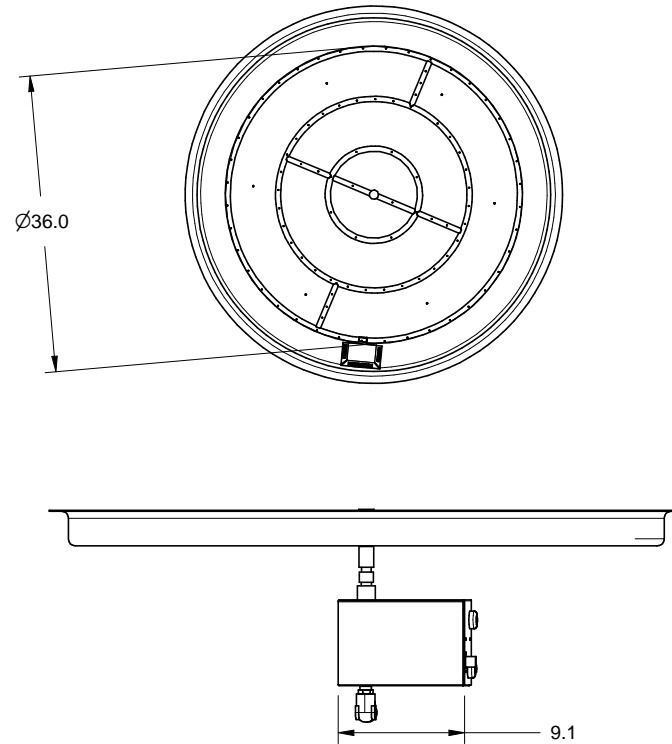
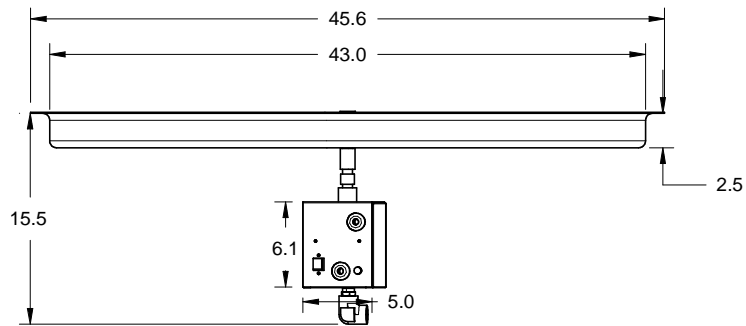



Click Image to View in 3D



REVISIONS				
ZONE	REV	DESCRIPTION	DATE	APPROVED

Materials: Pan, Burner, and Valve Box Are All 304 Stainless Steel Construction Overall Height +/- 2.0 Depending on Configuration	DRAWN Mike Adkins	DATE 1/5/2010	43SSHWI		
	CHECKED				
	QA		Hearth Products Controls Co		
	MFG		SIZE A	FSCM NO.	DWG NO. 43SSHWI
APPROVED			SCALE		SHEET