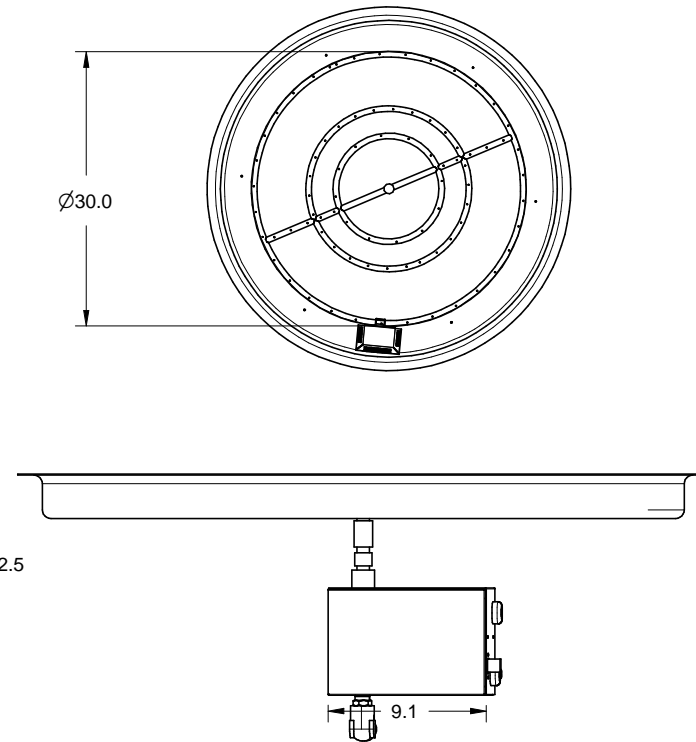
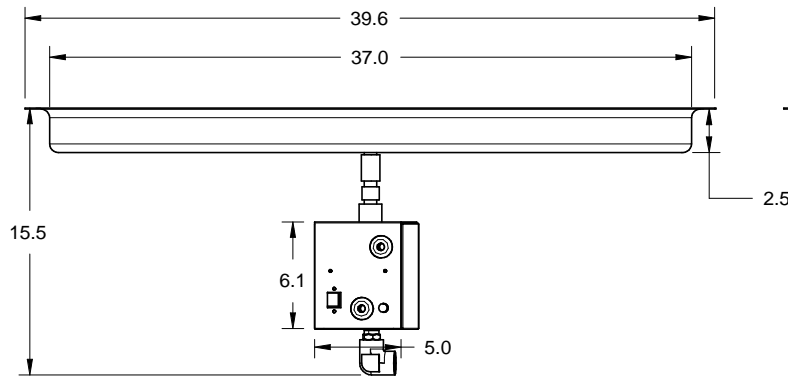



Click Image to View in 3D



REVISIONS				
ZONE	REV	DESCRIPTION	DATE	APPROVED

Materials: Pan, Burner, and Valve Box Are All 304 Stainless Steel Construction  Overall Height +- 2.0 Depending on Configuration	DRAWN	DATE	37SSHWI			
	Mike Adkins	1/5/2010				
	CHECKED		 <b>Hearth Products Controls Co</b>			
	QA					
	MFG					
	APPROVED		SIZE	FSCM NO.	DWG NO.	REV
			A		37SSHWI	
			SCALE			SHEET