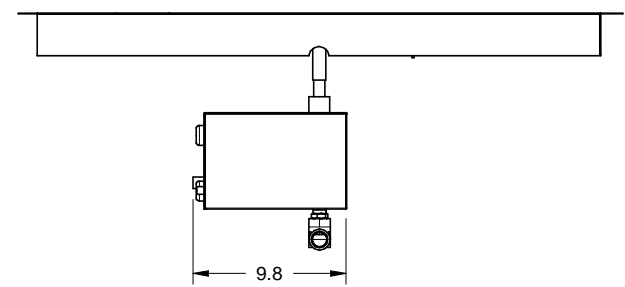
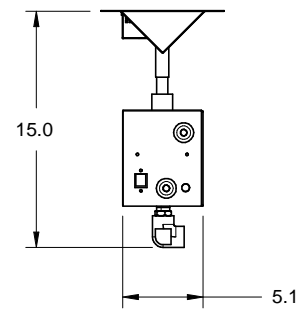
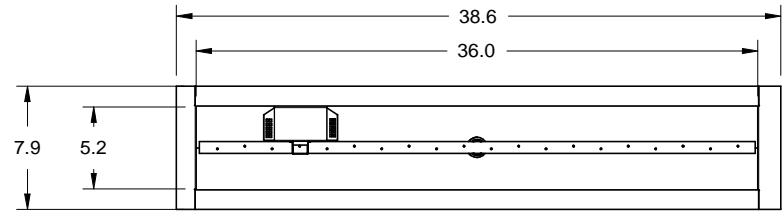



Click on Image to View in 3D



REVISIONS				
ZONE	REV	DESCRIPTION	DATE	APPROVED



Materials: Pan, Burner, and Valve Box Are All 304 Stainless Steel Construction  Overall Height = +- 2.0 Depending on Configuration	DRAWN	DATE	<b>36LFPSSHWI</b>   <b>Hearth Products Controls Co</b>		
	Mike Adkins	1/8/2010			
	CHECKED		SIZE	FSCM NO.	DWG NO.
	QA		<b>A</b>		36LFPSSHWI
	MFG		SCALE		REV
	APPROVED				SHEET

