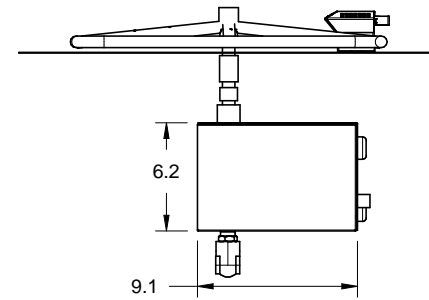
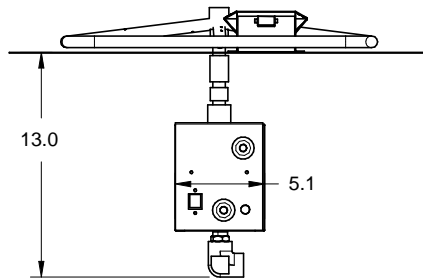
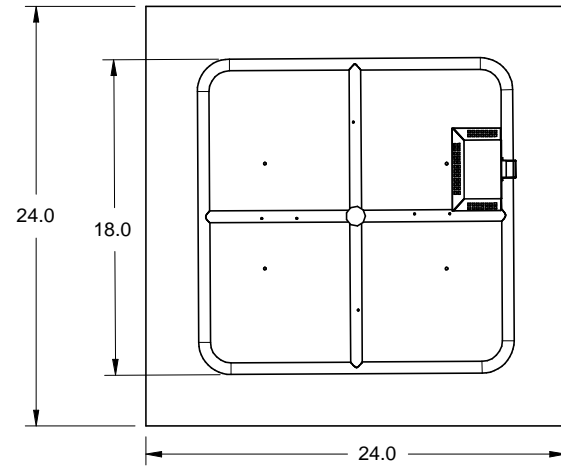



Click On Image To View In 3D



REVISIONS				
ZONE	REV	DESCRIPTION	DATE	APPROVED



Materials: Pan, Burner, and Valve Box Are All 304 Stainless Steel Construction Overall Height = +/- 2.0 Depending on Configuration	DRAWN	DATE	24FSSHWI SQ  Hearth Products Controls Co		
	Mike Adkins	11/3/2009			
	CHECKED		SIZE	FSCM NO.	DWG NO.
	QA		A		24FSSHWI SQ
	MFG		SCALE		REV
APPROVED				SHEET	

