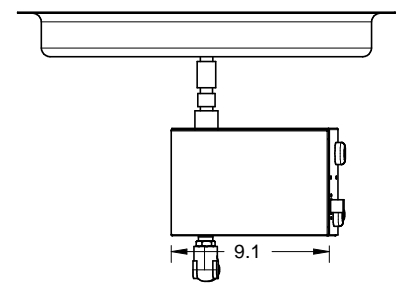
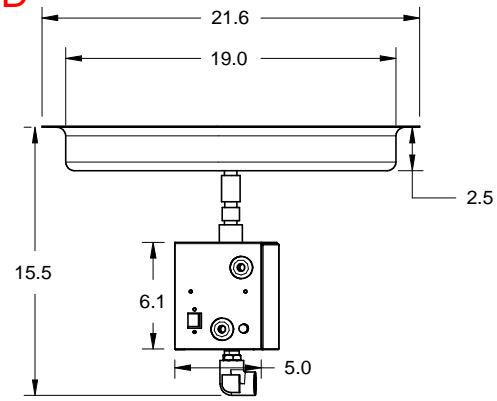
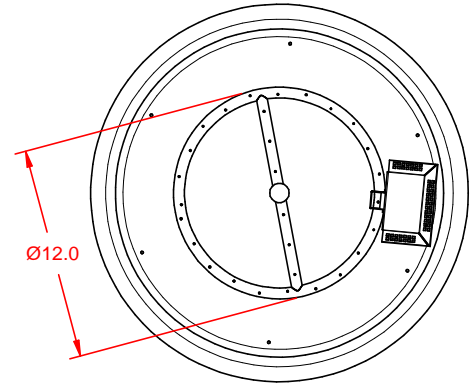


Click Image to View in 3D

↓

REVISIONS				
ZONE	REV	DESCRIPTION	DATE	APPROVED



<p>Materials: Pan, Burner, and Valve Box Are All 304 Stainless Steel Construction</p> <p>Overall Height +- 2.0 Depending on Configuration</p>	DRAWN	DATE	<h2 style="margin: 0;">19SSHWI</h2>		
	Mike Adkins	1/5/2010			
	CHECKED				
	QA		<b>Hearth Products Controls Co</b>		
	MFG		SIZE	FSCM NO.	DWG NO.
APPROVED		A		19SSHWI	
			SCALE		SHEET

