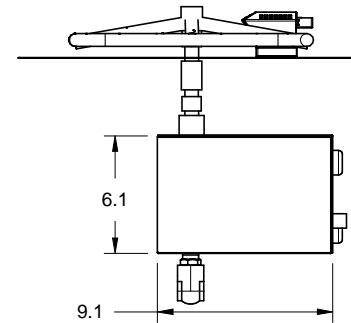
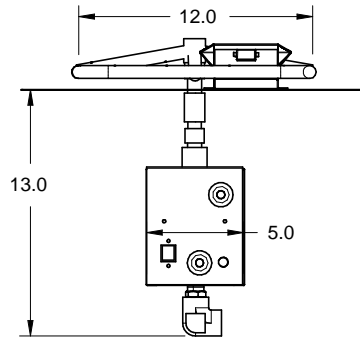
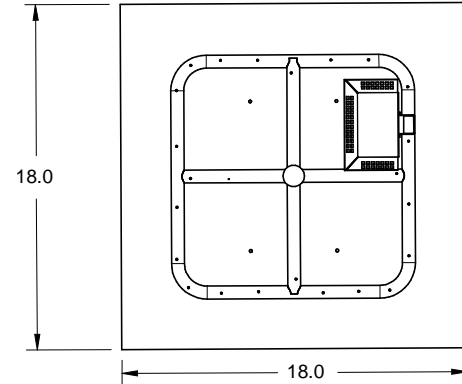



Click On Image To View In 3D

REVISIONS				
ZONE	REV	DESCRIPTION	DATE	APPROVED



Materials: Pan, Burner, and Valve Box Are All 304 Stainless Steel Construction Overall Height = +- 2.0 Depending on Configuration	DRAWN	DATE	18FSSH WI SQ			
	Mike Adkins	11/3/2009				
	CHECKED		 Hearth Products Controls Co			
	QA					
	MFG		SIZE	FSCM NO.	DWG NO.	REV
	APPROVED		A		18FSSH WI SQ	
			SCALE			SHEET