



WALL VENT HOOD

For Outdoor Use Only

36-VH, 42-VH, 48-VH and 60-VH series

INSTALLATION INSTRUCTIONS AND OWNER'S MANUAL



42-VH-6 model shown

This vent hood is for outdoor, wall mount installation only.

INSTALLER: Leave these instructions with consumer.
CONSUMER: Retain for future reference.

Important: READ THESE INSTRUCTIONS CAREFULLY BEFORE STARTING INSTALLATION OR USE.

WARNINGS AND SAFETY CODES

CAUTION:

- **This vent hood is for outdoor, wall mount installation only.**
- For General Ventilating Use Only. Do Not Use To Exhaust Hazardous Or Explosive Materials And Vapors!
- Observe all local codes and ordinances when installing this appliance. If no local codes are applicable, wire unit in accordance with the latest National Electrical Code, ANSI/NFPA 70, or the Canadian Electrical Code, CSA C22.1, whichever is applicable.

DANGER:

IF YOU SMELL GAS:

1. Shut off the gas to the grill this vent hood is installed above.
2. Extinguish any open flame.
3. Open the lid of the grill.
4. If odor continues, keep away from the appliances and **immediately** call your gas supplier or the fire department.

WARNING:

To avoid the risk of property damage and/or personal injury, installation work and electrical wiring must be performed by a qualified professional installer. This appliance must be installed in accordance with this instruction.

WARNING:

1. Do not store or use gasoline or other flammable vapors and liquids in the vicinity of the gas grill this vent hood is installed above, or any other appliance.
2. An LP cylinder not connected for use shall not be stored in the vicinity of the gas grill this vent hood is installed above, or any other appliance.

WARNING:

Improper installation, adjustment, alteration, service, or maintenance can cause injury or property damage. For proper installation, refer to the installation instructions. For assistance or additional information, consult a qualified professional installer or service agency.

All electrical outlets in the vicinity of the grill and vent hood must be properly grounded in accordance with local codes, or, in the absence of local codes, with the *National Electrical Code, ANSI/NFPA 70*, or the *Canadian Electrical Code, CSA C22.1*, whichever is applicable.

Keep all electrical-supply cords and fuel-supply hoses away from any heated surface.



Certified to: **ANSI Z21.58b-2012**
CSA 1.6b-2012



INSTRUCTIONS D'INSTALLATION ET MANUEL DU PROPRIÉTAIRE

CAPOT DE PASSAGE DE MUR Pour l'usage extérieur seulement 36-VH, 42-VH, 48-VH, and 60-VH série

IMPORTANT: LISEZ CES INSTRUCTIONS SOI-
GNEUSEMENT AVANT DE COMMENCER
L'INSTALLATION OU L'UTILISATION

INSTALLATEUR: Laissez ces instructions avec
le consommateur.
CONSOMMATEUR: Maintenez pour la future
référence.

**Ce capot de passage est pour extérieur,
installation de bâti de mur seulement.**

AVERTISSEMENTS ET CODES DE SÛRETÉ

⚠ ATTENTION:

- **Ce capot de passage est pour extérieur, installation de bâti de mur seulement.**
- Pour l'usage de aération général seulement. N'employez pas pour épuiser les matériaux dangereux ou explosifs et les vapeurs!
- Observez tous les codes locaux et ordonnances en installant cet appareil. Si aucun code local ne s'applique, unité de fil selon le plus défunt code électrique national, ANSI/NFPA 70, ou le code électrique canadien, CSA C22.1, celui qui s'applique.

⚠ AVERTISSEMENT:

1. Ne stockez pas ou employer l'essence ou d'autres vapeurs et liquides inflammables à proximité du gaz grillez ce capot de passage est installé ci-dessus, ou n'importe quel autre appareil.
2. Un cylindre de LP non relié pour l'usage ne sera stocké à proximité du gril de gaz que ce capot de passage est installé ci-dessus, ou d'aucun autre appareil.

⚠ DANGER:

SI VOUS SENTEZ LE GAZ:

1. Coupez le gaz au gril que ce capot de passage est installé ci-dessus.
2. Éteignez-vous n'importe quelle flamme nue.
3. Ouvrez le couvercle du gril.
4. Si l'odeur continue, gardez à partir des appareils et appelez immédiatement votre fournisseur de gaz ou les corps de sapeurs-pompiers supplier or the fire department.

⚠ AVERTISSEMENT:

Pour éviter le risque de dégâts matériels et/ou de dommage corporel, le travail d'installation et le câblage électrique doivent être exécutés par un installateur professionnel qualifié. Cet appareil doit être installé selon cette instruction.

⚠ AVERTISSEMENT:

L'installation, l'ajustement, le changement, le service, ou l'entretien inexact peuvent causer des dommages ou des dégâts matériels. Pour l'installation appropriée, référez-vous aux instructions d'installation. Pour l'aide ou les informations supplémentaires, consultez un installateur ou une agence de service professionnel qualifié.

Toutes les sorties électriques à proximité du capot de gril et de passage doivent être correctement fondues selon des codes locaux, ou, en l'absence des codes locaux, avec le code électrique national, ANSI/NFPA 70, ou le code électrique canadien, CSA C22.1, celui qui s'applique.

Maintenez tout électrique-fournissent des cordes et carburant-fournissent des tuyaux à partir de n'importe quelle surface heated.



Certified to: **ANSI Z21.58b-2012**
CSA 1.6b-2012

GETTING STARTED

IMPORTANT PRE-INSTALLATION AND SAFETY INFORMATION 5
REPLACEMENT PARTS LIST 6
SPECIFICATIONS AND DIMENSIONS 7
TOOLS REQUIRED 8
INSTALLATION REQUIREMENTS - FIRE MAGIC SPACER & DUCT COVER 9
INSTALLATION REQUIREMENTS - CUSTOM SPACER & SOFFIT 10

INSTALLATION

INSTALLATION 11
 SPACER 11
 TRANSITION 12
 WALL MOUNT BRACKET 13
 VENT HOOD 14
 VENT PIPING 15
 FAN ASSEMBLY 16
 WIRING CONNECTIONS 16
 BAFFLE 17
 GREASE FILTERS 17
 ELECTRICAL 18
 DUCT COVER / CUSTOM SOFFIT 18

USE, CARE, & SERVICE

OPERATION 20
 VENT HOOD FANS 20
 GRILL TOP LIGHTING 20
SERVICING AND CLEANING 22
 REMOVE FIRE MAGIC DUCT COVER (if applicable) 22
 STAINLESS STEEL CARE 22
 GREASE FILTERS 22
 FANS 22
 REPLACING HALOGEN BULBS 23
NOTES PAGE 24
TROUBLESHOOTING 25
WARRANTY 26



AVERTISSEMENT!

1. **Lisez toutes les instructions.**
2. **CE CAPOT DE PASSAGE EST POUR EXTÉRIEUR, INSTALLATION DE BÂTI DE MUR SEULEMENT.** Extérieur est défini comme secteur qui a l'air illimité, s'ouvrent aux éléments à tout moment. Un mur est défini comme côté d'un plancher et d'un toit se reliant de bâtiment.
3. **L'installation, le service, et la réparation doivent être faits par un technicien qualifié de service professionnel.**
4. Le capot de passage et le grill de gaz ne sont pas prévus pour être installés dans ou sur des bateaux ou des camping-cars.
5. Pour se protéger contre la décharge électrique, n'immergez pas la corde ou ne branchez pas l'eau ou tout autre liquide.
6. Débranchez de la sortie si non utilisable et avant le nettoyage. Laissez se refroidir avant de mettre dessus ou enlever des pièces.
7. N'actionnez aucun appareil avec une corde endommagée, prise, ou après les défauts de fonctionnement d'appareils ou avez été endommagé de toute façon. Entrez en contact avec le fabricant pour la réparation.
8. Ne laissez pas la corde toucher les surfaces chaudes.
9. N'employez pas un appareil à gaz à cuire extérieur pour des buts autres que prévu.
10. En se reliant, reliez d'abord la prise à l'appareil à gaz à cuire extérieur branchent alors l'appareil à la sortie.
11. Cet appareil doit être fondu. En cas d'un court-circuit électrique, fondre réduit le risque de décharge électrique en fournissant un fil d'évasion pour le courant électrique. Cet appareil équipé avec une corde ayant un fil fondu avec une prise fondante. La prise doit être branchée à une sortie qui est correctement installée et fondue.
12. Utilisez seulement un circuit protégé au sol de l'interrupteur de défaut (GFI) avec cet appareil à gaz à cuire extérieur.
13. N'enlevez jamais la prise fondante ou l'employez avec un adaptateur de 2 fourches.
14. Ne pas utiliser une rallonge. Si le cordon d'alimentation est trop court, demandez à un électricien qualifié d'installer une prise près de l'appareil.
15. Quand la coupure ou le forage dans un mur ou un plafond, n'endommagent pas le câblage électrique et d'autres utilités cachées.
16. Des ventilateurs canalisés doivent toujours être exhalés à l'extérieur.
17. **AVERTISSEMENT** : Pour réduire le risque du feu, employez seulement la canalisation en métal.
18. **AVERTISSEMENT** : Pour réduire le risque d'un dessus de gamme graissez le feu:
 - a. Ne laissez jamais les unités extérieures sans surveillance aux arrangements élevés. Tabagisme de cause de Boilovers et débordements graisseux qui peuvent mettre à feu. Chauffez les huiles lentement sur de bas ou moyens arrangements.
 - b. Toujours mettre la hotte au réglage HI lors de la cuisson à feu vif ou que vous cuisinez des mets flambés.
 - c. Nettoyez les ventilateurs d'aération fréquemment. On ne devrait pas permettre à la graisse de s'accumuler sur le ventilateur ou le filtre.
 - d. Employez la taille appropriée de casserole. Employez toujours le cookware approprié pour la taille de la surface à cuire.
19. **N'EMPLOYEZ PAS LES COUDES 90° POUR CETTE INSTALLATION. N'UTILISEZ PAS UNE PAC RESTRICTIVE D'ARRÊT POUR CETTE INSTALLATION.** La tuyauterie de passage devrait être installée aussi directement comme possible d'empêcher la contre-pression sur les ventilateurs. Mettez en référence la section SIFFLANTE de PASSAGE de ce manuel pour des détails.

SAUF CES INSTRUCTIONS



WARNING!

1. Read all instructions.
2. **THIS VENT HOOD IS FOR OUTDOOR, WALL MOUNT INSTALLATION ONLY. Outdoor is defined as an area that has unconfined air, open to the elements at all times. A wall is defined as a side of a building connecting floor and roof.**
3. **Installation, service, and repair must be done by a qualified professional service technician.**
4. The vent hood and the gas grill are not intended to be installed in or on boats or recreational vehicles.
5. To protect against electric shock, do not immerse cord or plugs in water or other liquid.
6. Unplug from the outlet when not in use and before cleaning. Allow to cool before putting on or taking off parts.
7. Do not operate any appliance with a damaged cord, plug, or after the appliance malfunctions or has been damaged in any manner. Contact the manufacturer for repair.
8. Do not let the cord touch hot surfaces.
9. Do not use an outdoor cooking gas appliance for purposes other than intended.
10. When connecting, first connect plug to the outdoor cooking gas appliance, then plug appliance into the outlet.
11. This appliance must be grounded. In the event of an electrical short circuit, grounding reduces the risk of electric shock by providing an escape wire for the electric current. This appliance is equipped with a cord having a grounded wire with a grounding plug. The plug must be plugged into an outlet that is properly installed and grounded.
12. Use only a Ground Fault Interrupter (GFI) protected circuit with an outdoor cooking gas appliance.
13. Never remove the grounding plug or use with an adapter of 2 prongs.
14. Do not use an extension cord. If the power cord is too short, have a qualified electrician install an outlet near the appliance.
15. When cutting or drilling into a wall or roof, do not damage electrical wiring and other hidden utilities.
16. Ducted fans must always be vented to the outdoors.
17. **WARNING:** To reduce the risk of fire, use only metal ductwork.
18. **WARNING:** To reduce the risk of a range top grease fire:
 - a. Never leave surface units unattended at high settings. Boilovers cause smoking and greasy spillovers that may ignite. Heat oils slowly on low or medium settings.
 - b. Always turn hood to HI Setting when cooking at high heat or when cooking flaming foods.
 - c. Clean ventilating fans frequently. Grease should not be allowed to accumulate on fan or filter.
 - d. Use proper pan size. Always use cookware appropriate for the size of the cooking surface.
19. **DO NOT USE 90° ELBOWS FOR THIS INSTALLATION. DO NOT USE A RESTRICTIVE TERMINATION CAP FOR THIS INSTALLATION. Vent piping should be installed as straight as possible to prevent back-pressure on the fans. Reference the VENT PIPING section of this manual for details.**

SAVE THESE INSTRUCTIONS

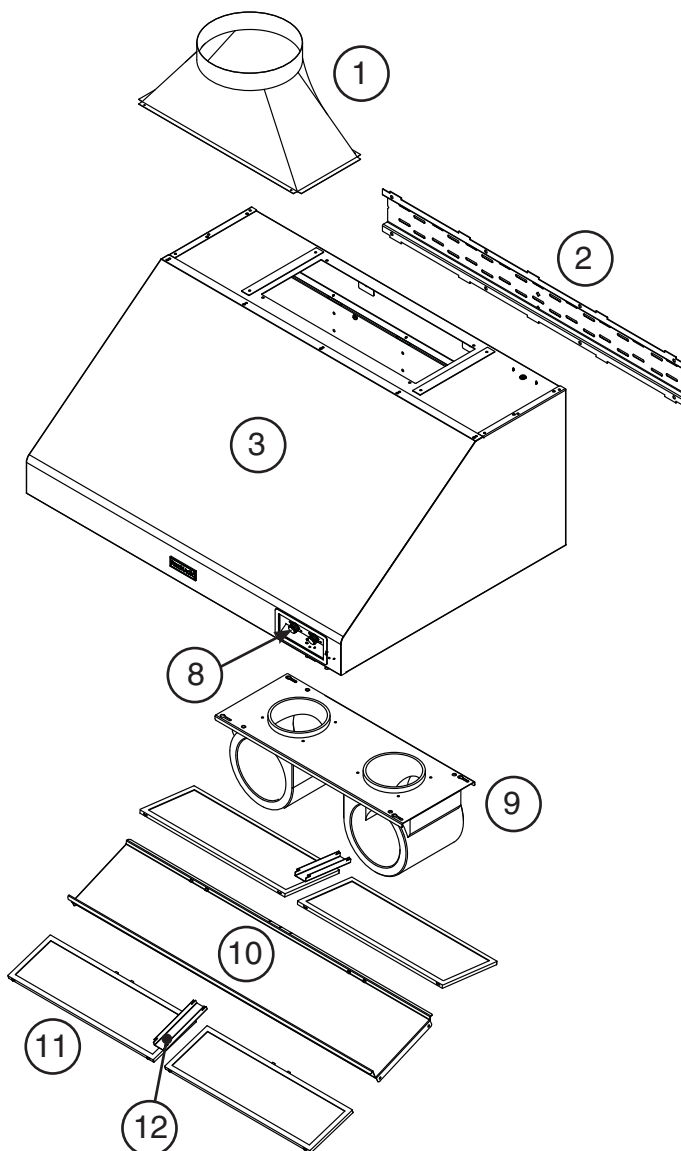
REPLACEMENT PARTS LIST

Item	Description	36-VH-6		42-VH-6		48-VH-6		60-VH-6	
		Part No.	Qty.	Part No.	Qty.	Part No.	Qty.	Part No.	Qty.
1.	Transition	VH-11	1	VH-11	1	VH-11	1	VH-11	1
2.	Wall mount bracket	VH-17-6	1	VH-19-6	1	VH-22-6	1	VH-21-6	1
3.	Complete vent hood assembly	VH-36-01-6	1	VH-42-01-6	1	VH-48-01-6	1	VH-60-01-6	1
4.	Light assembly*	VH-12-6	2	VH-12-6	2	VH-12-6	2	VH-12-6	2
5.	120V / 50 watt halogen light bulb*	VH-23	2	VH-23	2	VH-23	2	VH-23	2
6.	Light lens*	VH-24	2	VH-24	2	VH-24	2	VH-24	2
7.	Control switch*	VH-25	2	VH-25	2	VH-25	2	VH-25	2
8.	Control knob	VH-26	2	VH-26	2	VH-26	2	VH-26	2
9.	Complete fan assembly	VHF-1200-6	1	VHF-1200-6	1	VHF-1200-6	1	VHF-1200-6	1
10.	Baffle	VH-36-04	1	VH-42-04	1	VH-48-04	1	VH-60-04	1
11.	Grease filter	VH-16	4	VH-18	4	VH-15	4	VH-18	6
12.	Filter spacer (42" models only)	n/a	n/a	VH-42-03-06	2	n/a	n/a	n/a	n/a
13.	Vent hood wire harness*	VH-27	1	VH-27	1	VH-27	1	VH-27	1
14.	Thermal switch*	VH-28	1	VH-28	1	VH-28	1	VH-28	1

* Not shown

Replacement parts can be ordered from your local Fire Magic® dealer.

42-VH-6 model shown



IMPORTANT

Remove all packing material (including any protective coatings) and discard prior to use.

SPECIFICATIONS AND DIMENSIONS

Specification	36-VH series Value	42-VH series Value	48-VH series Value	60-VH series Value
Unit height *	18"	18"	18"	18"
Unit width	36"	42"	48"	60"
Unit depth	30"	30"	30"	30"

* Height is of vent hood only (not accounting for transition).

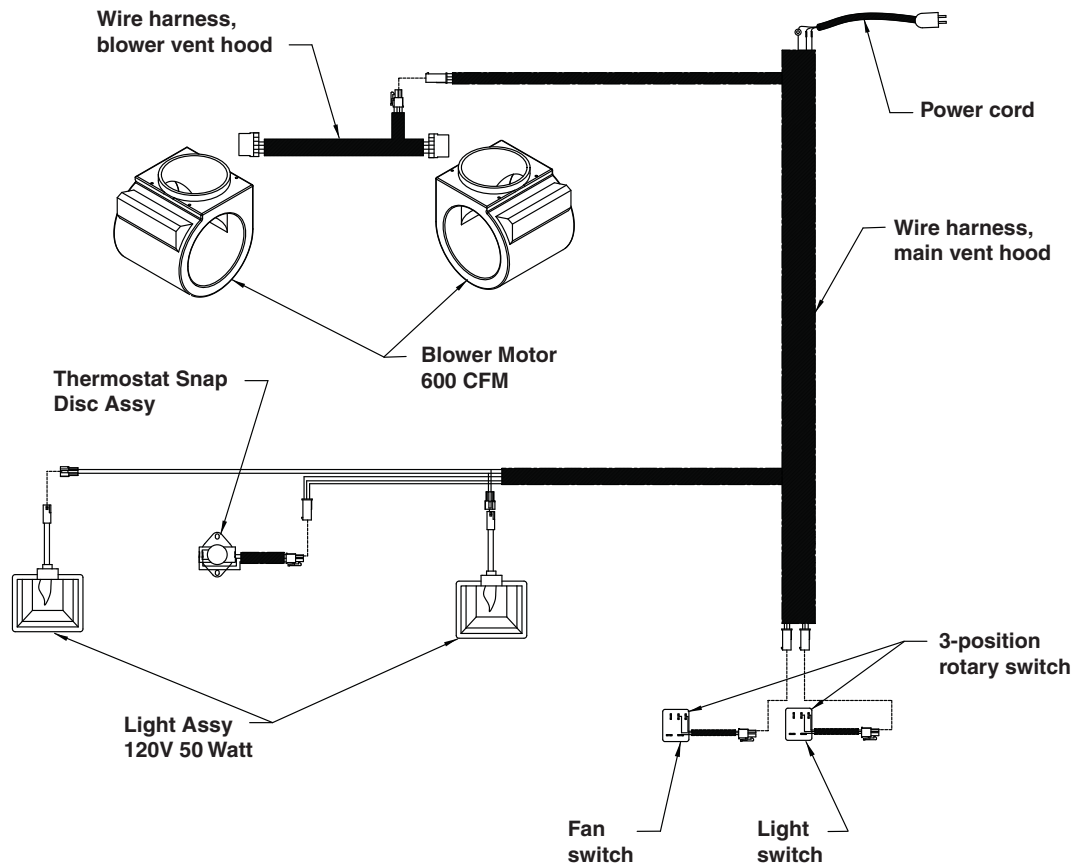
Specification	36-VH series Value	42-VH series Value	48-VH series Value	60-VH series Value
Transition height	10"	10"	10"	10"

Specification	Value
Electrical requirements	120 volts, 60 hertz, 20 amp; GFI outlet.
Fans	120 volts, 1200 CFM High Pressure Output
Power consumption	1,010 watts

Vent Hood Model	Designed For Use With Grills:
36-VH series	up to A540
42-VH series	up to (A,E)660
48-VH series	up to (A,E)790
60-VH series	up to E1060

Table 1 - Specifications Table

WIRING DIAGRAM



TOOLS REQUIRED

The following are the minimum tools required for the installation of your vent hood components. Additional tools may be required for your individual installation.

- Proper personal safety equipment
- Power drill
- Drill bit - Phillips head
- Medium Philips screwdriver
- 3/8" nut driver
- 1/4" nut driver *or* 1/4" hex driver (drill bit)
- Measuring tape
- Level
- Duct tape
- Silicone sealant

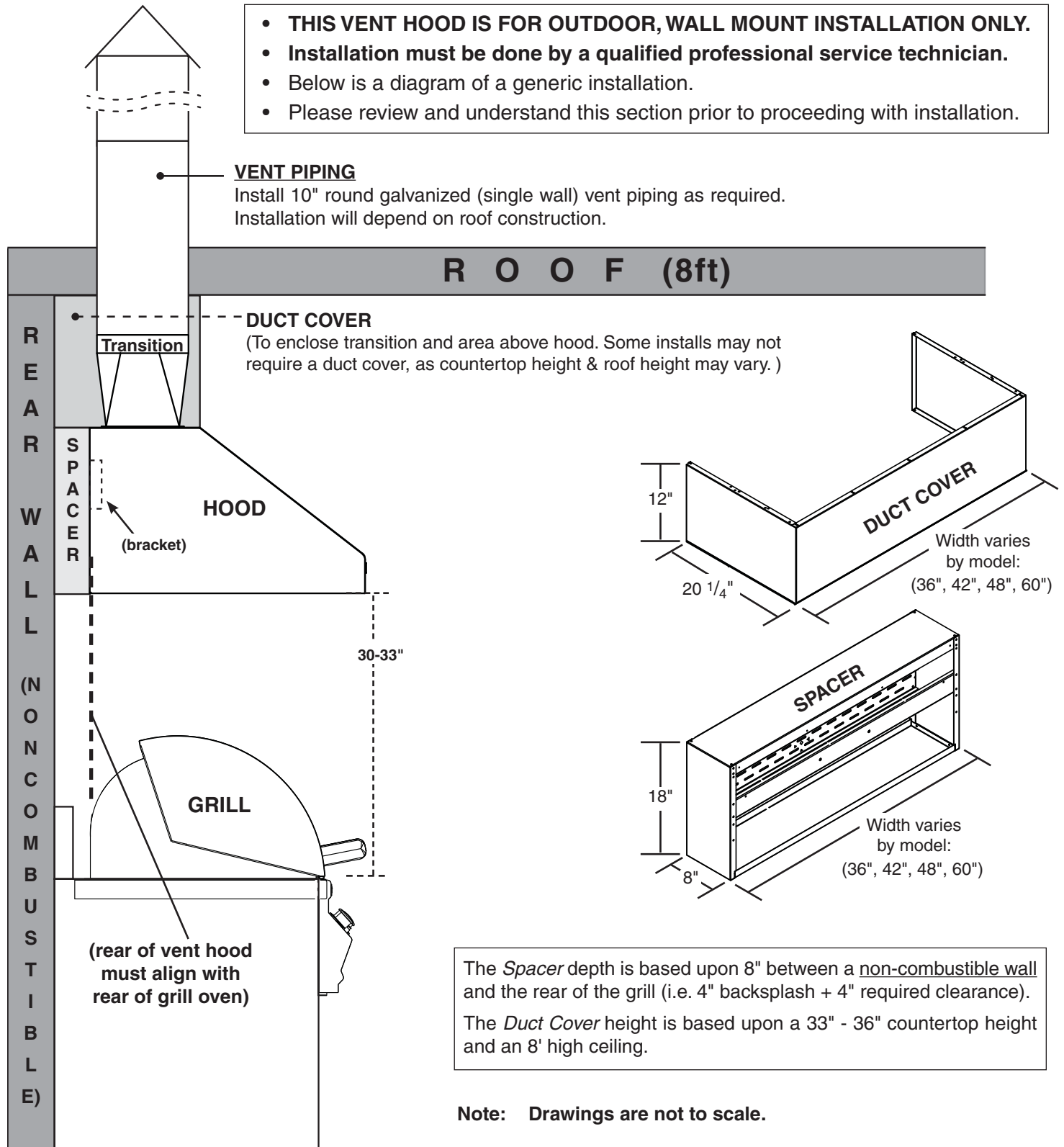
INSTALLATION REQUIREMENTS - FIRE MAGIC SPACER & DUCT COVER

Fire Magic offers a spacer and duct cover specifically designed for your vent hood. Reference the information below for an overall orientation. (Contact your dealer for ordering information.)

In order to use these prefabricated components, ensure the component dimensions allow for an appropriate install as addressed below (as individual setups may vary).

Alternatively, a custom spacer and soffit can be constructed that is appropriate for your individual setup. See the following page for details.

- THIS VENT HOOD IS FOR OUTDOOR, WALL MOUNT INSTALLATION ONLY.
- Installation must be done by a qualified professional service technician.
- Below is a diagram of a generic installation.
- Please review and understand this section prior to proceeding with installation.

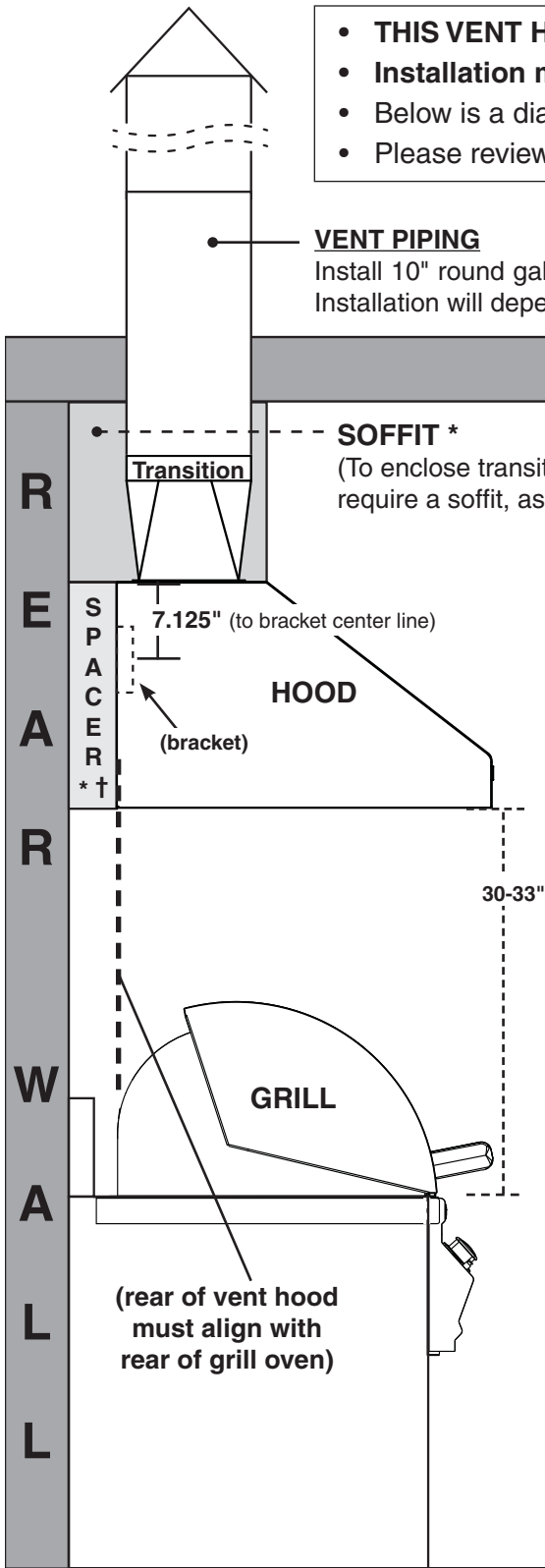


REFER TO INSTALLATION SECTION FOR COMPLETE DETAILS REGARDING ALL INFORMATION FOUND ON THIS PAGE.

INSTALLATION REQUIREMENTS - CUSTOM SPACER & SOFFIT

When constructing a custom spacer and soffit, reference the information below for an overall orientation.

- **THIS VENT HOOD IS FOR OUTDOOR, WALL MOUNT INSTALLATION ONLY.**
- **Installation must be done by a qualified professional service technician.**
- Below is a diagram of a generic installation.
- Please review and understand this section prior to proceeding with installation.



VENT PIPING

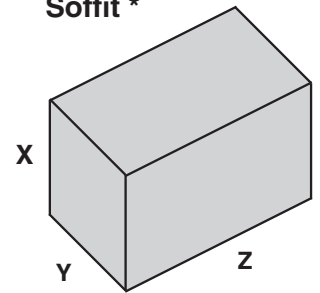
Install 10" round galvanized (single wall) vent piping as required. Installation will depend on roof construction.

SOFFIT *

(To enclose transition and area above hood. Some installs may not require a soffit, as countertop height & roof height may vary.)

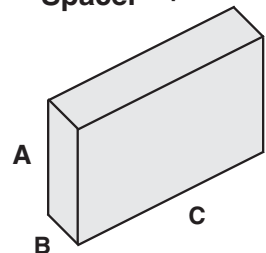
Custom Soffit Detail *			
Model	X	Y	Z
36-VH	distance from top of vent hood to roof	B dimension of spacer + 12"	36"
42-VH	distance from top of vent hood to roof	B dimension of spacer + 12"	42"
48-VH	distance from top of vent hood to roof	B dimension of spacer + 12"	48"
60-VH	distance from top of vent hood to roof	B dimension of spacer + 12"	60"

Soffit *



Custom Spacer Detail * †			
Model	A	B	C
36-VH	18"	distance from rear wall to rear of grill oven	36"
42-VH	18"	distance from rear wall to rear of grill oven	42"
48-VH	18"	distance from rear wall to rear of grill oven	48"
60-VH	18"	distance from rear wall to rear of grill oven	60"

Spacer * †



Note: Drawings are not to scale.

* Spacer/soffit may be constructed of wood, metal framing, etc. Upon install completion; the exposed sides of the spacer/soffit may be finished with drywall or other appropriate materials. Dimensions provided here include any finishing substrate.

† The front of the spacer (that is exposed to the rear of the vent hood); must include a solid wall to allow for the vent hood to be properly secured into it. The soffit must allow permanent interior access (i.e. access panel/door).

REFER TO INSTALLATION SECTION FOR COMPLETE DETAILS REGARDING ALL INFORMATION FOUND ON THIS PAGE.

INSTALLATION

THIS VENT HOOD IS FOR OUTDOOR, WALL MOUNT INSTALLATION ONLY.

To ensure safety and proper performance; the vent hood installation must be done by a qualified professional service technician. Reference the **INSTALLATION REQUIREMENTS** section during the course of the install for dimensions and overall orientation.

If possible, the grill should be removed for ease of installation and to prevent damage to the grill.

Important: Prior to starting installation, the baffle (inside of vent hood) and the wall mount bracket (rear of vent hood) must be removed. Be sure to retain all hardware removed. See Fig. 11-1 and 11-2.

SPACER

Fire Magic offers a spacer specifically designed for your vent hood. Contact your dealer for ordering information. Alternatively, a custom spacer can be constructed for your setup. Follow the appropriate section for your spacer type.

Fire Magic Spacer:

The Fire Magic spacer comes ready to be mounted. **It should be installed 30-33" above the grill, centered, and level.** See Fig. 11-3.

Important: Be sure to allow for the proper clearance above the spacer for the soffit / duct cover that is to be installed at a later time.

1. Locate and mark the REAR WALL studs.
2. Determine the install location of the spacer (30-33" above the grill). Locate the "left-to-right" center, and pencil a vertical line on the rear wall. Then pencil a horizontal line 7.5" up from the bottom of the spacer (see Fig. 11-4, A-C).
3. Place the spacer over the two lines. Use the alignment notches found on spacer's center-rear bracket to aid in proper location and leveling (see Fig. 11-4, D).
4. Using appropriate mounting hardware for the rear wall construction; secure the spacer (via the center-rear bracket) into the rear wall (see Fig. 11-4, E).
5. Next use additional mounting hardware, and the support plates (supplied with spacer), to secure the top-rear of the spacer into the rear wall (see Fig. 11-4, F).

Important: THE SPACER MUST BE SECURED INTO MULTIPLE WALL STUDS, USING THE APPROPRIATE HARDWARE, TO ENSURE PROPER SUPPORT. METAL FRAMEWORK WILL REQUIRE ADDITIONAL WALL STUDS AND SCREWS FOR PROPER SUPPORT. CONSULT A PROFESSIONAL CONTRACTOR FOR YOUR INDIVIDUAL SETUP.

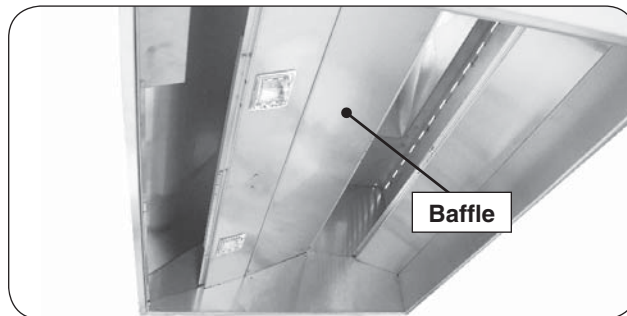


Fig. 11-1 Remove baffle

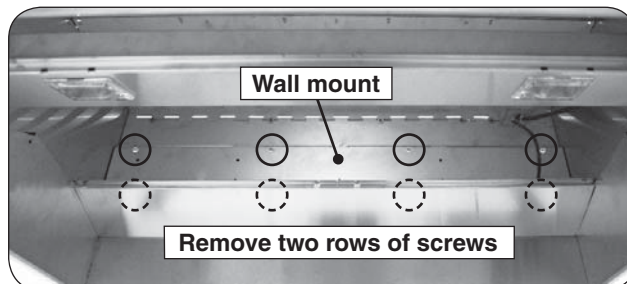


Fig. 11-2 Remove wall mount bracket

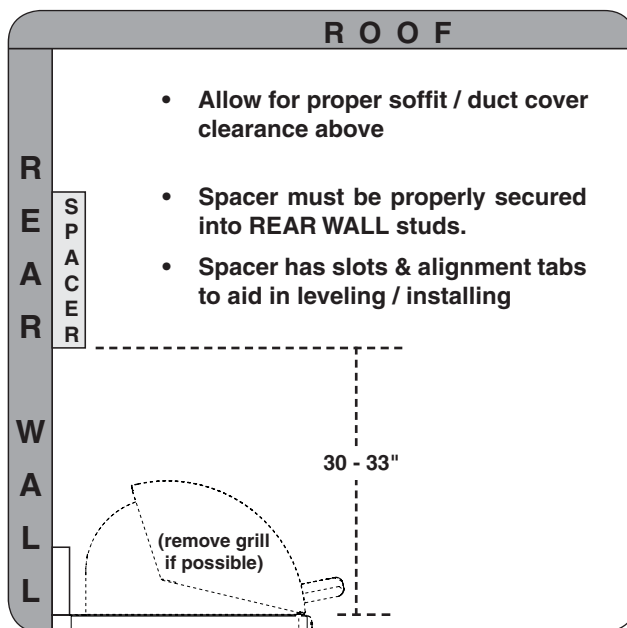


Fig. 11-3 Fire Magic spacer orientation

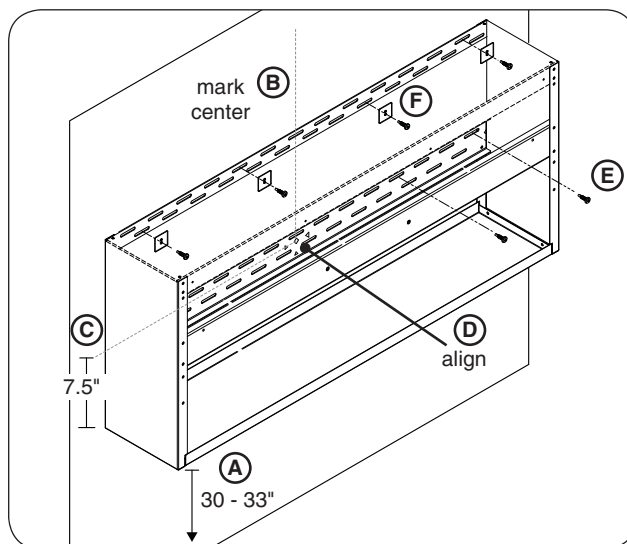


Fig. 11-4 Install Fire Magic spacer (36" shown)

Custom Spacer:

Construct the spacer frame according to your individual install preference, while following the guidelines found in the INSTALLATION REQUIREMENTS section. The front of the spacer (that is exposed to the rear of the vent hood); must include a solid wall to allow for the vent hood to be properly secured into it.

When designing the spacer; account for the thickness of your finishing substrate so that overall dimensions are flush with the vent hood.

The spacer should be installed 30-33" above the grill, centered, and level. See Fig. 12-1.

Important: Be sure to allow for the proper clearance above the spacer for the soffit / duct cover that is to be installed at a later time.

1. Locate and mark the REAR WALL studs.
2. Determine the install location of the spacer (30-33" above the grill).
3. Using appropriate mounting hardware for the spacer and rear wall construction; secure it into the rear wall.

Important: THE SPACER MUST BE SECURED INTO MULTIPLE WALL STUDS, USING THE APPROPRIATE HARDWARE, TO ENSURE PROPER SUPPORT. METAL FRAMEWORK WILL REQUIRE ADDITIONAL WALL STUDS AND SCREWS FOR PROPER SUPPORT. CONSULT A PROFESSIONAL CONTRACTOR FOR YOUR INDIVIDUAL SETUP.

4. Install finishing substrate to left and right sides, and bottom of spacer as appropriate.

TRANSITION

1. Rest the vent hood on its rear panel.
2. Apply a bead of silicone along the bottom of the mounting flange of the transition before installation (see Fig. 12-2, A).
3. Position the transition in place and secure using a power drill with a 1/4" hex driver (or a 1/4" nut driver) and the (4) supplied #6 x 3/8" hex head screws. Reach into and fasten the screws from inside the vent hood. (An additional person should hold the transition in place while it is being fastened.) See Fig. 12-2, B-C.

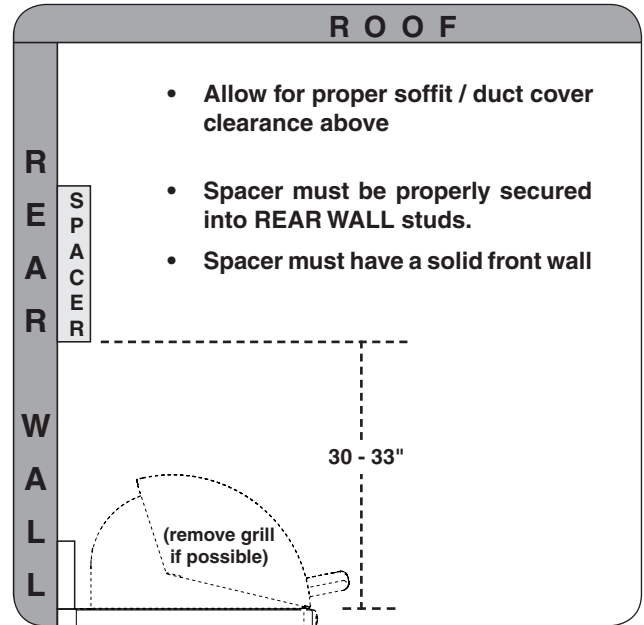


Fig. 12-1 Custom spacer orientation

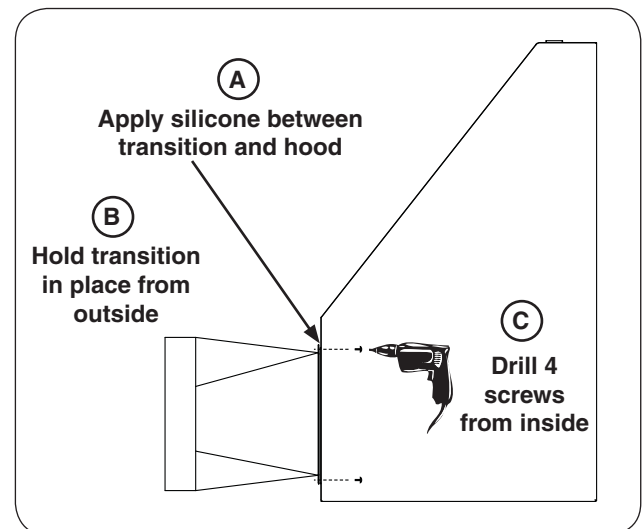


Fig. 12-2 Install transition

WALL MOUNT BRACKET

The wall mount bracket must be installed into the spacer to assist in supporting the vent hood.

To install wall mount bracket to Fire Magic Spacer:

Fire Magic spacers are designed with pre-drilled holes and include screws for ease of bracket installation.

1. Center the bracket (from left-to-right) over the channel located on the front center of the Fire Magic Spacer.
2. Using a medium Phillips screwdriver and the large 1/4-20 screws supplied with the spacer, secure the bracket in place. The spacer has pre-drilled holes. See Fig. 13-1.

To install wall mount bracket to custom spacer:

The bracket should be centered from left to right on the spacer. The horizontal position of the bracket center must be 7.125" down from the top of the vent hood/spacer. Alignment notches are provided on the top, bottom, center, and sides of the bracket to aid in proper location and leveling.

1. Locate the "left-to-right" center of the spacer and pencil a vertical line. Then pencil a horizontal line 7.125" down from the top of the spacer (see Fig. 13-2, A-B).
2. Place the bracket over the two lines. Use the alignment notches in the top, bottom, center, and sides of the bracket to properly locate and assist in leveling (see Fig. 13-2, C).
3. Using appropriate mounting hardware for the spacer construction; secure the bracket onto the spacer (see Fig. 13-2, D).

Important: THE BRACKET MUST BE SECURED INTO THE SPACER STUDS TO ENSURE PROPER SUPPORT. A MINIMUM OF 4 SCREWS WITH FENDER WASHERS MUST BE EVENLY DISTRIBUTED AND FASTENED INTO TWO STUDS. ADDITIONAL SCREWS WILL BE REQUIRED ACROSS THE BRACKET INTO THE SPACER WALL, FOR COMPLETE SUPPORT.

To ensure a properly installed bracket, first hand-tighten all screws. Reposition the bracket as needed, then fully tighten.

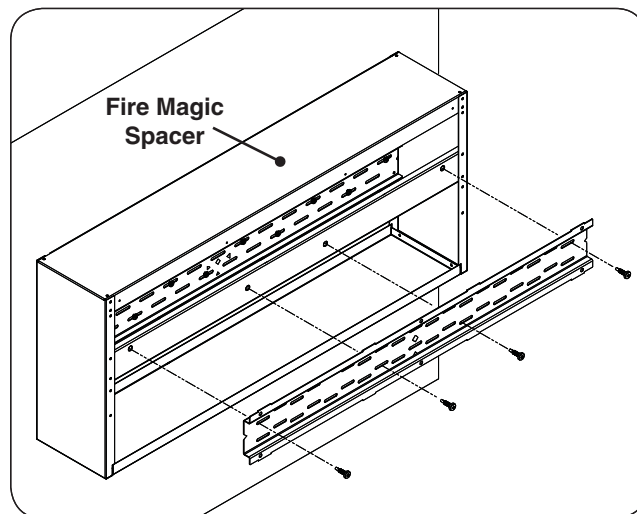


Fig. 13-1 Install wall bracket to F.M. Spacer

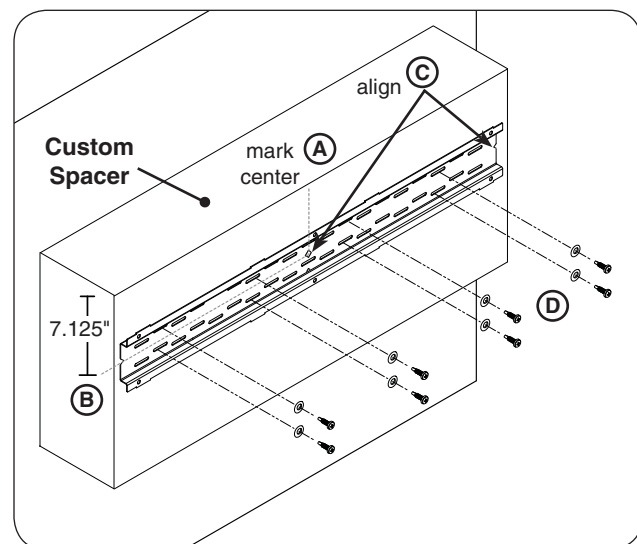


Fig. 13-2 Install wall bracket to custom spacer

VENT HOOD

1. Rest the vent hood onto the wall mount bracket, being sure that the tabs on the bracket engage the slots on the rear of the hood for proper support. See Fig. 14-1.
2. Ensure the sides, top, and bottom of the vent hood sit flush with the spacer (see Fig. 14-2). (The spacer will already be finished with any applicable substrate, to allow for the vent hood to rest flush.)
3. From the inside of the vent hood; fasten the hood to the bracket using a medium Phillips screwdriver and the 1/4-20 screws supplied with the vent hood (that were originally removed at beginning of installation). See Fig. 14-2, Detail A.
4. From the inside of the vent hood, using appropriate mounting hardware for the spacer construction; secure the top portion of the hood directly into the spacer. Use the supplied support plates when fastening, see Fig. 14-2, Detail B.

Fire Magic spacers include these screws (#10 x 3/4").

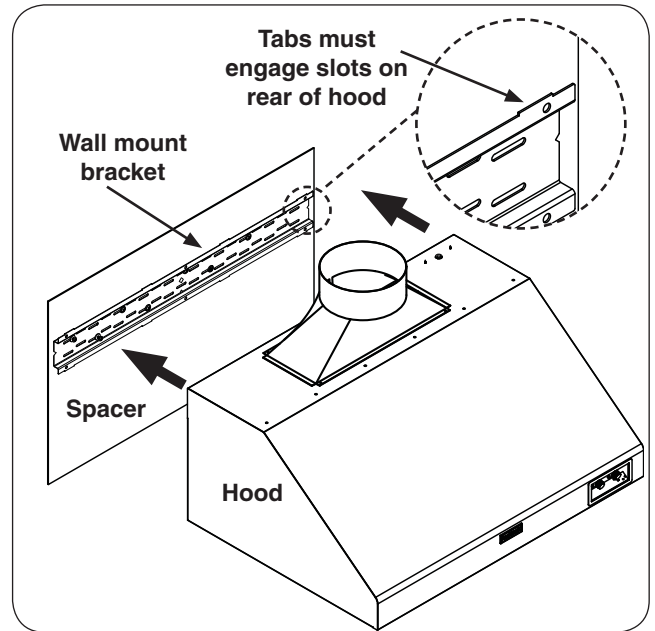


Fig. 14-1 Rest vent hood in place

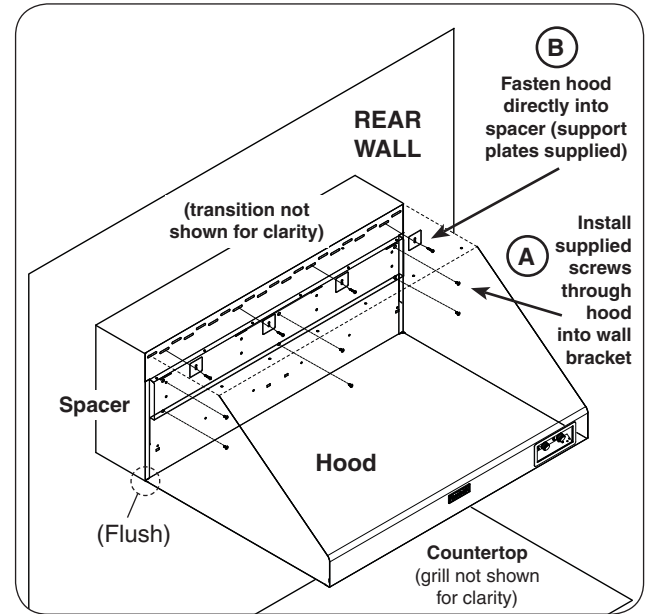


Fig. 14-2 Secure vent hood (42" shown)

INSTALLATION (cont.)

VENT PIPING

A cutout will need to be made in the roof to route the piping through; and must be sealed with silicone to prevent leaks.

1. Install 10" round galvanized rigid (single wall) vent piping from the transition on, as required. All joints must be sealed using duct tape.

Important: Vent piping should be installed as straight as possible to prevent back-pressure on the fans.

Important: If an offset is required for your installation, a maximum of two 45° elbows may be used. **Do not use 90° elbows for this installation.** See Fig. 15-2.

2. Using duct tape and the appropriate hardware; install a termination cap on top of the vent piping to prevent water and debris from entering the vent hood.

Important: A non-restrictive termination cap must be used. **Do not use a restrictive cap for this installation.** See Fig. 15-2.

Installation will depend on roof construction and individual setup.

Exceeding a 20 foot total vent piping length will reduce the effectiveness of your exhaust system.

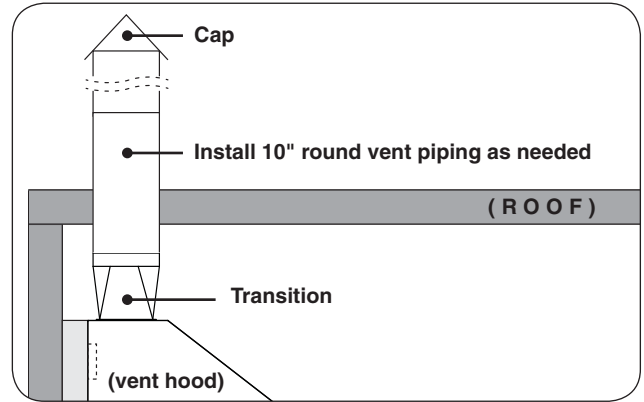


Fig. 15-1 Common Installation

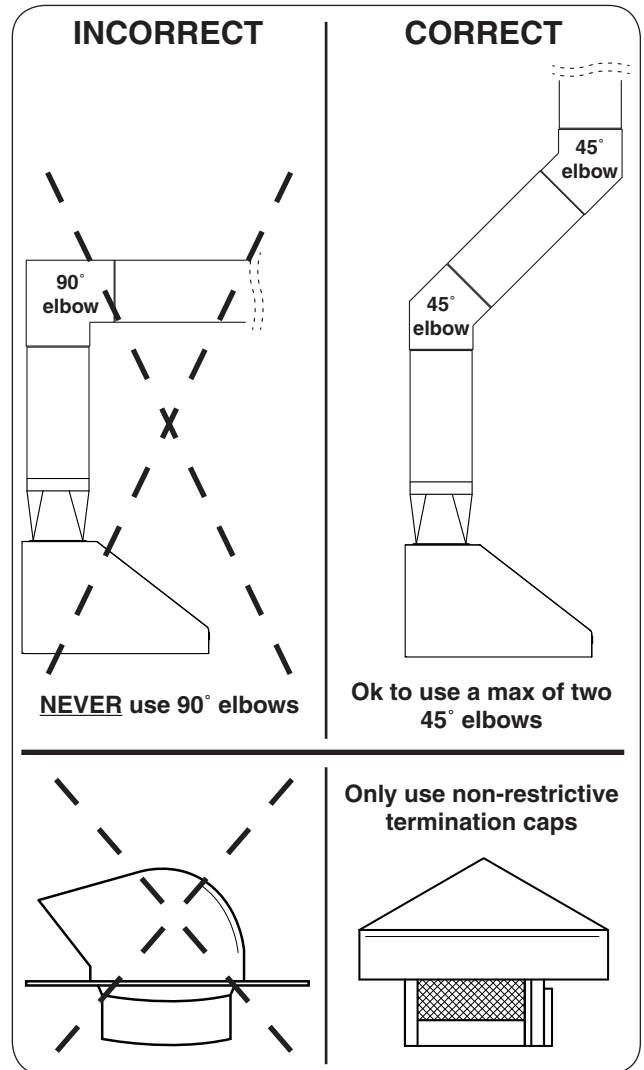


Fig. 15-2 Incorrect/Correct Piping Examples

FAN ASSEMBLY

1. Locate the (4) nuts pre-installed to the ceiling of the vent hood, and using a $\frac{3}{8}$ " nut driver, loosen (but do not remove) to allow for the fan assembly to be inserted. See Fig. 16-1.
2. With the open ends of the fans facing the front of the vent hood, carefully position the fan assembly, aligning the keyholes to the loosened nuts. See Fig. 16-1, A.
3. Mount the fan assembly flush against the vent hood ceiling ensuring the nuts protrude through the keyholes, then slide the assembly to the left so that it hangs from the nuts. See Fig. 16-1, A and B.

CAUTION: TO PREVENT INJURY OR DAMAGE TO THE FAN ASSEMBLY, THE FAN MUST BE SUPPORTED UNTIL IT IS PROPERLY SECURED IN PLACE.

4. Fasten the (4) nuts to secure the fan assembly in place (see Fig. 16-2, C).

WIRING CONNECTIONS

1. A wire connection exists toward the right rear of the fan assembly. This is to be connected to the wire harness coming out the right rear of the vent hood. See Fig. 16-3, D.

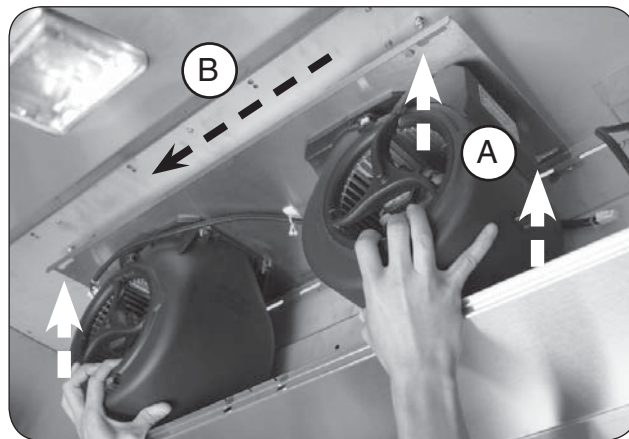


Fig. 16-1 Insert fan assembly

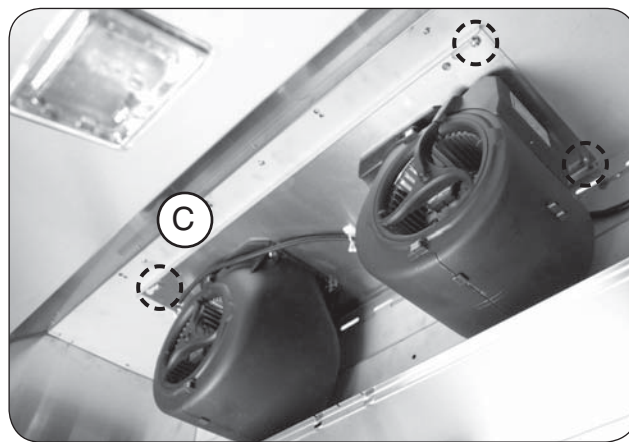


Fig. 16-2 Fasten (4) nuts to secure

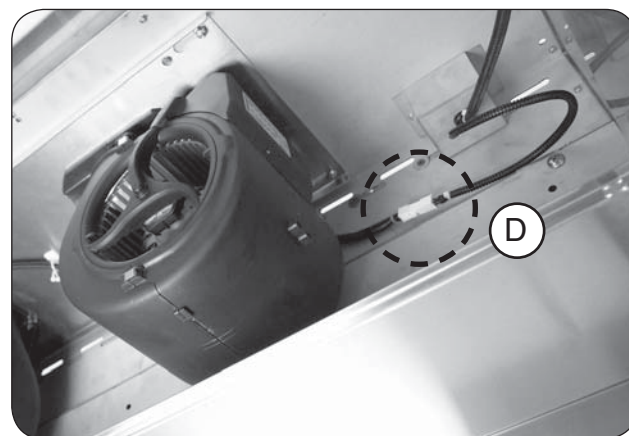


Fig. 16-3 Connect fan assembly wire

BAFFLE

1. Carefully raise the baffle up into the vent hood. You will first need to slide one side in at a slight angle, until the baffle edge aligns above the inner wall (see Fig. 17-1). Then raise the opposite side of the baffle until it also aligns. Drop the baffle into place.
2. Align the 4 screw holes (2 on each side), then secure the baffle in place using a medium Phillips screwdriver and the supplied 8-32 x 3/8" screws (that were originally removed at beginning of installation). See Fig. 17-2.

Important: To prevent cross-threading the screws they should be installed with a manual screwdriver and a small amount of household grease.

GREASE FILTERS

1. Install the filter spacer (if applicable, 42" models only). See Fig. 17-3. Repeat for other side.
2. Install a filter into the vent hood by first pressing in the lever, then aligning the tabs found on the filter into the notches found in the interior of the hood. The filters will secure in place. Repeat for all filters. See Fig. 17-4.

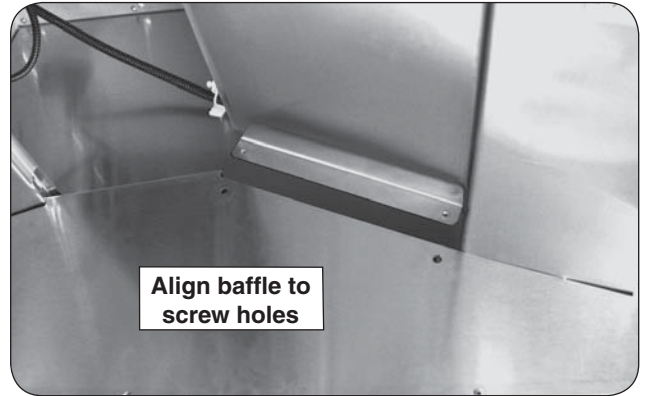


Fig. 17-1 Align baffle

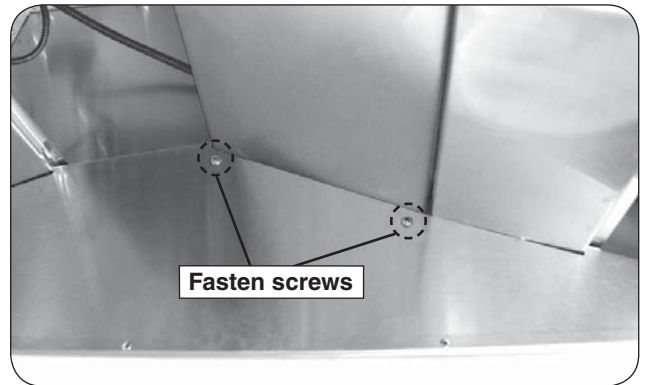


Fig. 17-2 Secure baffle

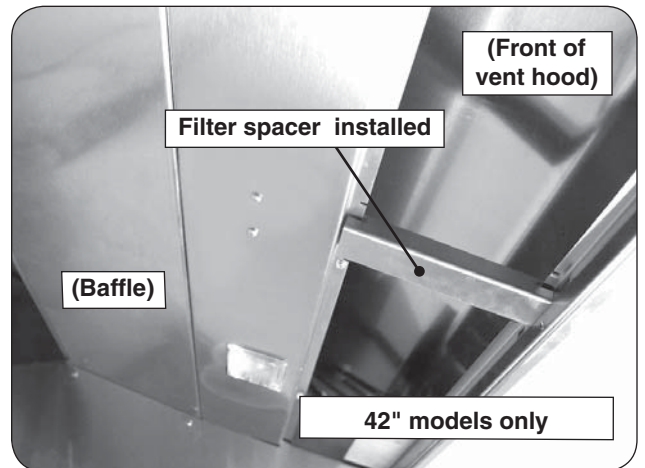


Fig. 17-3 Install filter spacer (if applicable)

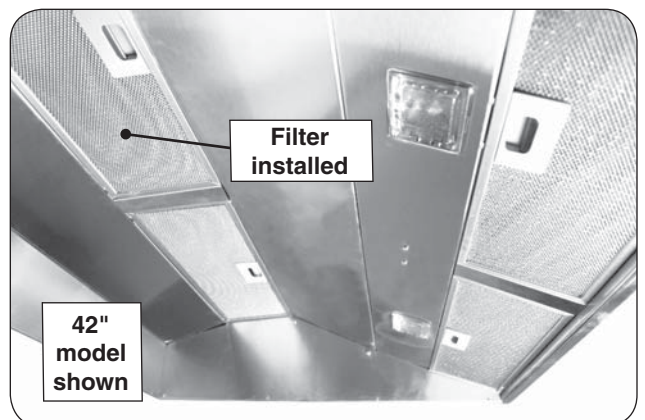


Fig. 17-4 Install filters

ELECTRICAL

This vent hood will require electrical work, and includes a power cord. The install will need a dedicated GFI receptacle installed near the vent hood to allow for the power cord to be plugged into. The area above the vent hood that the soffit / duct cover will enclose is an ideal location (reference Fig. 18-1).

1. Install GFI receptacle accordingly. Observe all codes.
2. Plug the power cord into the GFI receptacle.

Note: The power cord must be plugged in when operating the vent hood.

DUCT COVER / CUSTOM SOFFIT

Note: Some installs may not require a duct cover / soffit, as island height & roof height may vary.

Fire Magic offers a duct cover specifically designed for your vent hood. Contact your dealer for ordering information. Alternatively, a custom soffit can be constructed for your setup. Follow the appropriate section for your spacer type.

Fire Magic Duct Cover:

The Fire Magic duct cover comes ready to be installed.

1. Carefully slide the duct cover into the area above the already installed spacer and vent hood. Ensure the bottom perimeter of the duct cover rests flush with the spacer and vent hood. See Fig. 18-2.
2. From beneath the vent hood, use a medium Phillips screwdriver and the 8-32 x 3/8" screws supplied with the duct cover to secure it to the vent hood. (The screws are to be fastened through the pilot holes found on top of the vent hood and into the duct cover above.) See Fig. 18-2.

Important: To prevent cross-threading the screws they should be installed with a manual screwdriver and a small amount of household grease.

Note: The rear of the duct cover does not need to be secured to the rear wall.

Important: DO NOT apply sealant to the duct cover as it must be removable for servicing and for access to the electrical connection.

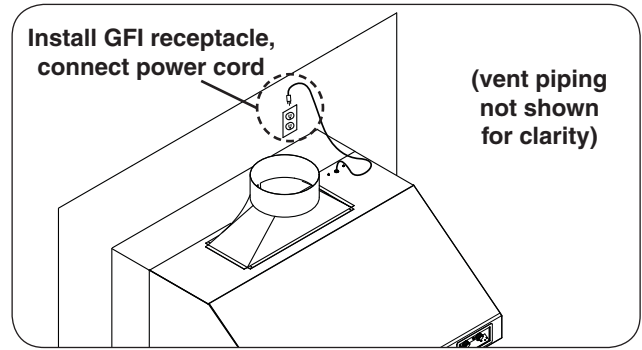


Fig. 18-1 Install GFI receptacle, connect power cord

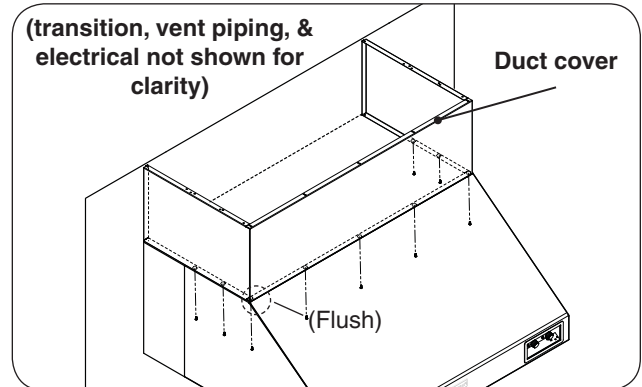


Fig. 18-2 Install Fire Magic Duct Cover

Custom Soffit:

Construct the soffit frame according to your individual install preference, while following the guidelines found in the INSTALLATION REQUIREMENTS section.

When designing the soffit, account for the thickness of your finishing substrate so that overall dimensions are flush with the vent hood and spacer below. The soffit must allow permanent interior access (i.e. access panel/door).

1. Locate and mark the REAR WALL studs.
2. Using appropriate mounting hardware for the soffit and rear wall construction; secure it into the rear wall. The soffit will rest directly above the spacer and vent hood.

Important: THE SOFFIT MUST BE SECURED INTO MULTIPLE WALL STUDS, USING THE APPROPRIATE HARDWARE, TO ENSURE PROPER SUPPORT. METAL FRAMEWORK WILL REQUIRE ADDITIONAL WALL STUDS AND SCREWS FOR PROPER SUPPORT. CONSULT A PROFESSIONAL CONTRACTOR FOR YOUR INDIVIDUAL SETUP.

3. Install finishing substrate to left and right sides, and front of soffit as appropriate.

Important: The soffit must allow permanent interior access (i.e. access panel/door).

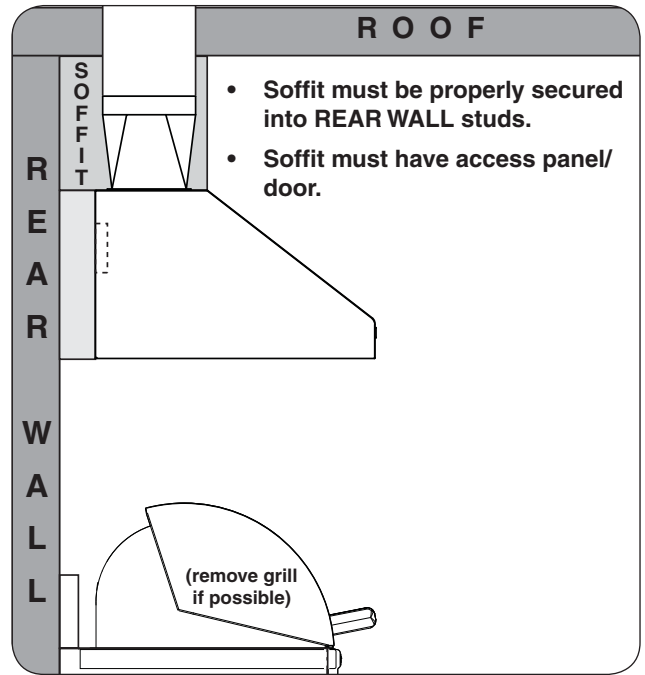


Fig. 19-1 Custom soffit orientation

VENT HOOD FANS

To operate the fans, simply turn the fan knob located on the front right of the vent hood to your desired setting. The fan knob is symbolized with a fan logo etched beside it. See Fig. 20-1.

Turn the knob to **OFF** position to turn the fans off.

Always turn the fans on before cooking to establish an air flow. Allow the fans to operate for few minutes after you turn the grill off, to clear the air out and keep the area smoke free.

Note: The vent hood is equipped with an internal thermal switch. When the surrounding area reaches temperature, the thermal switch will automatically turn on the vent hood fans. When the vent hood is operating on the **LO** setting, it will automatically switch to the **HI** setting to maintain a safe operating temperature. This feature is for convenience and prevents damage to the vent hood.

GRILL TOP LIGHTING

The halogen lights are controlled by turning the light knob located on the front right side of the vent hood to your desired setting. The light knob is symbolized with a light bulb logo etched beside it. See Fig. 20-1.

Turn the knob to **OFF** position to turn the lights off.

Clean the vent hood on a regular basis to ensure optimal performance. See the SERVICING AND CLEANING section for details.

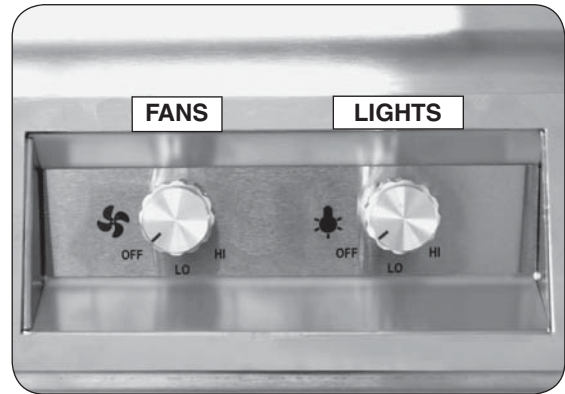


Fig. 20-1 Control knobs

VENTILATEUR DE CAPOT DE PASSAGE

Pour faire fonctionner les ventilateurs, il suffit de tourner le bouton du ventilateur situé à l'avant droit de la hotte au réglage désiré. Le bouton du ventilateur est symbolisé par un logo fan gravé à côté de lui. Voir la Fig. 21-1.

Tournez le bouton à la position **OFF** pour allumer les ventilateurs éteints.

Mettez toujours les fans avant de cuisson afin d'établir un flux d'air. Permettre aux ventilateurs de fonctionner pendant quelques minutes après que vous allumez le gril off, pour assainir l'air et d'en garder la zone sans fumée.

Note: La hotte d'aspiration est équipé d'un interrupteur thermique interne. Lorsque la zone environnante atteint la température, l'interrupteur thermique se met automatiquement sur les ventilateurs de la hotte de ventilation. Lorsque la hotte est en fonctionnement sur le réglage **LO**, il passera automatiquement au réglage de **HI** pour maintenir une température de fonctionnement. Cette fonction est une commodité et évite d'endommager la hotte.

ÉCLAIRAGE SUPÉRIEUR DE GRIL

Les lampes halogènes sont contrôlés en tournant le bouton de lumière situé sur le côté avant droit de la hotte au réglage désiré. Le bouton lumière est symbolisée par un logo d'ampoule gravé à côté de lui. Voir Fig. 21-1.

Tournez le bouton à la position **OFF** pour éteindre les lumières.

Nettoyer la hotte sur une base régulière pour assurer une performance optimale. Voir la section ENTRETIEN ET NETTOYAGE pour plus de détails.

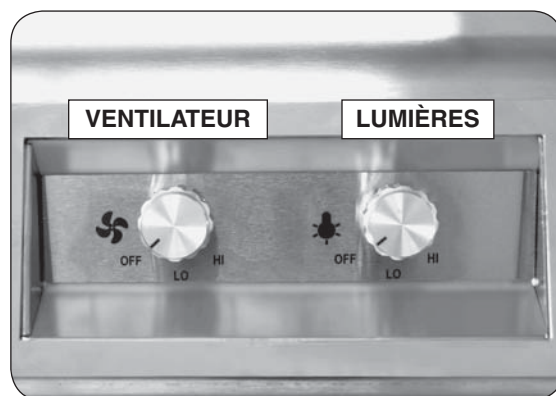


Fig. 21-1 Control Panel Detail

SERVICING AND CLEANING

The unit must be off and the power cord must be disconnected prior to beginning any service or cleaning. Any components removed during servicing/cleaning must be reinstalled, as previously instructed in this manual, prior to future operation. **CONTACT YOUR DEALER FOR REPLACEMENT PARTS.**

REMOVE FIRE MAGIC DUCT COVER (if applicable)

If a Fire Magic Duct Cover is installed, it must first be removed in order to access and disconnect the power cord. To remove, use a medium Phillips screwdriver to unfasten the screws found along the interior top perimeter of the vent hood. Store the screws for later re-installation (after service is complete).

STAINLESS STEEL CARE

Clean your vent hood by first using Fire Magic Barbecue and Grill Cleaner (part #3580-1) to remove grease and dirt. Always wipe with the grain (See Fig. 22-1). Next, use Fire Magic Stainless Steel Cleaner (3581-1) to restore the stainless steel color. Finish by wiping your vent hood down using Fire Magic Polish Wipes (3586-1).

Clean your vent hood at least once a month.

If your vent hood is installed in a seaside (salt air) or pool side (chlorine) location, it will be more susceptible to corrosion and must be maintained/cleaned more frequently. Do not store chemicals (such as chlorine or fertilizer) near your stainless steel appliance.

Due to the nature of stainless steel, surface iron oxide deposits may appear. Do not be alarmed – these deposits are removable with stainless-steel cleaner through prompt and periodic maintenance. If not attended to promptly, permanent pitting may occur.

GREASE FILTERS

Wash the filters frequently either in a detergent solution, or by placing them in your dishwasher. Cleaning the filters on a regular basis (depending on usage) will ensure optimal performance and longevity of the vent hood.

To remove a filter; simply press in the lever and pull it away from the vent hood (see Fig. 22-2).

Once the filters are clean, reinstall each into the vent hood by first pressing in the lever, then aligning the tabs found on the filter into the notches found in the interior of the hood. The filters will secure in place.

Important: If a filter becomes damaged or not cleanable; it must be replaced.

FANS

Clean the fans on a regular basis (depending on usage) with a damp towel to ensure optimal performance. (The grease filters and baffle will need to be removed to gain access.)

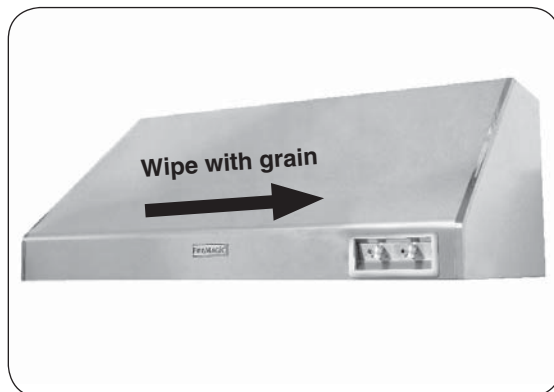


Fig. 22-1 Clean vent hood

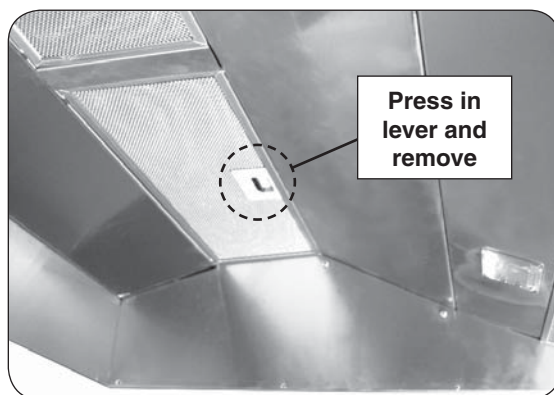


Fig. 22-2 Clean grease filters

REPLACING HALOGEN BULBS

Important: ONLY REPLACE WITH 120V / 50 WATT HALOGEN BULB(S).

Important: Wear gloves during this procedure for safety and to maintain bulb life.

1. Ensure the power cord has been disconnected.
2. With one hand directly below the light assembly, gently pry the glass lens out using a thin flat-head screwdriver. Slowly twist the screwdriver handle until the lens is removed.

Note: Replacement should only be done on a light assembly that is completely cool.

3. Clean the lens with a standard household window cleaner, dry completely, and set aside.
4. Gently remove the bulb from its socket.
5. Install a new **120V / 50 watt** halogen bulb into the socket, being sure that both pins are properly inserted.

Important: Bulb is halogen. DO NOT TOUCH with bare hands. Oils from hands drastically reduce bulb life.

6. Place the lens back into the fixture and snap it into place.

Note: The curved cutout of the lens should align over the bulb when replacing the lens.

7. Repeat as needed.
8. Reconnect the power cord and test.

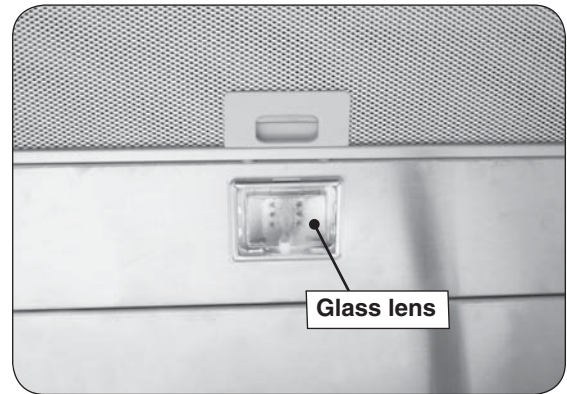


Fig. 23-1 Light orientation

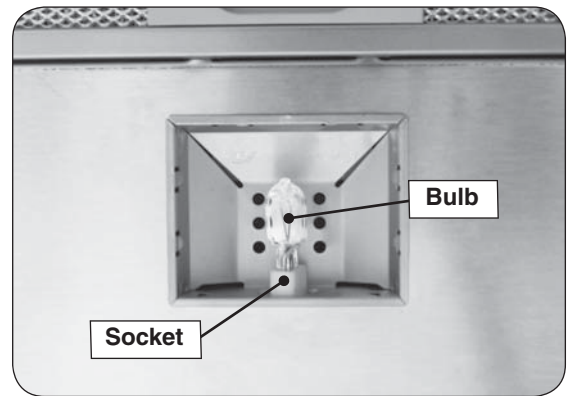


Fig. 23-2 Replace bulb

Please use this page to record any information that you may want to have at hand.

TROUBLESHOOTING

If you have trouble with this vent hood, please use this list to identify the problem. By trying one or more of the solutions to the possible cause, you should be able to solve the problem. If this list does not cover your present problem, or if you have other technical difficulties with the vent hood, please contact your local Fire Magic dealer or visit our web site at www.rhpeterson.com.

PROBLEM	POSSIBLE CAUSE	CORRECTION
Unit does not turn on	<ol style="list-style-type: none"> 1. No power to hood 2. Switch malfunction 	<ol style="list-style-type: none"> 1. Check if unit is plugged in. 2. Check or replace switch.
Loss of suction	<ol style="list-style-type: none"> 1. Grease filter(s) clogged 2. Fan(s) not operating 3. Fan(s) obstructed 	<ol style="list-style-type: none"> 1. Clean or replace filter(s). 2. Check or replace fan(s). 3. Check fan(s) for possible obstructions.
Switch malfunction	<ol style="list-style-type: none"> 1. Defective switch 2. Wire harness shorted/disconnected 	<ol style="list-style-type: none"> 1. Check or replace switch. 2. Check wire harness connection.
Fan malfunction	<ol style="list-style-type: none"> 1. Defective fan 2. Wire harness shorted/disconnected 3. Fan(s) obstructed 4. Defective switch 	<ol style="list-style-type: none"> 1. Check or replace fan. 2. Check wire harness connection. 3. Check fan(s) for possible obstructions. 4. Check or replace switch
Lights do not turn on	<ol style="list-style-type: none"> 1. Bulb burned out 2. Defective switch 	<ol style="list-style-type: none"> 1. Replace bulb 2. Check or replace switch

WARRANTY

PETERSON FIRE MAGIC GRILLS AND ACCESSORIES LIMITED WARRANTY

Robert H. Peterson Co. ("RHP") warrants your Fire Magic® grill to be free from defects in material and workmanship.

Fire Magic® cast stainless-steel burners, stainless-steel rod cooking grids, and stainless-steel housings are warranted for as long as you own your Fire Magic® grill -- **LIFETIME**. (Except as noted below.)

Fire Magic Choice stainless steel tubular burners are warranted for **TWENTY (20) YEARS**.

Fire Magic® cast brass burners, brass valves, inner liners, manifold assemblies, and backburner assemblies (except ignition parts) are warranted for **FIFTEEN (15) YEARS**.

Fire Magic® Electric Grills, including stainless steel grid, and housings are warranted for **TEN (10) YEARS**.

Fire Magic® Infra-red burners, flavor grids, Charcoal stainless steel grills, and Smokers are warranted for **FIVE (5) YEARS**; except for the charcoal pan, charcoal grid, wood pellet screen, thermometer, and ash tray; which are warranted for **ONE (1) YEAR**.

Fire Magic® sideburners and all other Fire Magic® grill components (except ignition and electronic parts) are warranted for **THREE (3) YEARS**.

Fire Magic® ignition systems (excluding batteries), electronic components (including lights and thermometers), and grill accessories are warranted for **ONE (1) YEAR**.

A COPY OF YOUR SALES SLIP FOR PROOF OF PURCHASE IS REQUIRED

This warranty applies to the original purchaser for products installed in the United States or Canada and operated and maintained as intended for single family residential usage. It commences on the date of purchase and is valid only with proof of purchase.

This warranty **does not** cover components becoming defective through negligence, misuse, use not in compliance with the Installation & Owner's Manual, accidental damage, improper handling, improper storage, improper installation, lack of required routine maintenance (as specified in the Installation & Owner's Manual), electrical damage, local gas impurities or failure to protect against combustibles. Product must be installed (and gas must be connected) as specified in the Installation & Owner's Manual by a **qualified professional installer**. Modifications which are not specifically authorized will void this warranty. Accessories, parts, valves, remotes, etc when used must be Peterson product or warranty is void. Warrantied items will be repaired or replaced at Peterson's sole discretion.

This warranty **does not** apply to rust, corrosion, oxidation, or discoloration unless the affected component becomes inoperable. This warranty **does not** cover labor or labor related charges.

This warranty specifically excludes liability for **indirect, incidental**, or consequential damages. Some states and provinces do not allow the exclusion or limitation of incidental or consequential damages, so the above exclusion may not apply to you. This warranty gives you specified legal rights, and you may have other rights that vary from state to state or province.

For additional information regarding this warranty, or to place a warranty claim, contact the R. H. Peterson dealer where the product was purchased.

**TO REGISTER YOUR PRODUCT ONLINE GO TO: WWW.RHPETERSON.COM,
AND CLICK ON PRODUCT REGISTRATION. THANK YOU FOR YOUR PURCHASE.**

Quality Check	Date: _____
Electrical Leak Test: _____	Model#: _____
Operational Test: _____	Serial#: _____
Inspector: _____	