

FIREMAGIC



Front view of charcoal grill slide-in unit with Smoker hood and warming rack.

GOURMET STAINLESS STEEL CHARCOAL GRILL w/ SMOKER HOOD
12 & 14 BUILT-IN SERIES
22 & 24 PORTABLE SERIES

COVERS MODEL NO.'S:	
12-SCOXX-XA	22-SCOX-61
14-SCOXX-XA	24-SCOX-61
22-SCOXX-11	



Front view of charcoal grill cart unit with Gourmet hood and warming rack.

FOR YOUR SAFETY

1. Do not store or use gasoline, or other flammable vapors and liquids, including propane cylinders, in the vicinity of this or any other appliance.

BRICK OPENING REQUIREMENTS
12 SERIES: 19 3/4" depth, 26 1/4" width, 12" height
14 SERIES: 19 3/4" depth, 32 1/4" width, 12" height

Simple to use, this elegant stainless steel charcoal grill has the added benefit of an adjustable charcoal pan to allow you to change the height of the charcoal while cooking, and it gives you the ability to add fuel without having to remove the cooking grids. This enables the outdoor chef to be in complete control of cooking heat at the grilling surface.

⚠ WARNING

Built-in models must be installed in masonry or other type of fireproof enclosure. The unit is not insulated and therefore must be installed with 18" of side and back clearance from unprotected combustible materials such as wood, plastic or stucco with wood framing.

Do not install this unit under unprotected flammable surfaces. Do not install or use this appliance inside a building, garage, or any other covered area, including recreational vehicles or boats.

Carefully unpack your grill and check the parts. If you have purchased a slide-in, simply slide the unit into your grill opening. Next, fit the crank handle into the hole on the front right side of the face. Aligning it carefully, screw it into the nut on the frame (see Fig. 1-1). After fitting, crank the handle to ensure the charcoal lifter moves up and down freely.

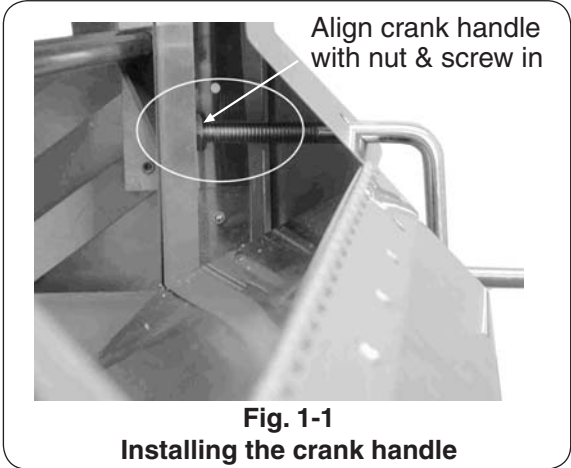


Fig. 1-1
Installing the crank handle

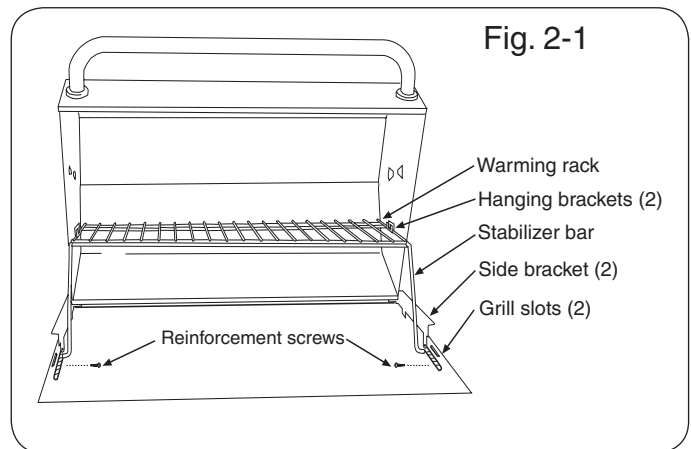
⚠ WARNING

Improper installation, adjustment, alteration, service, or maintenance can cause injury or property damage. Refer to this manual. For assistance or additional information, consult a qualified, professional installer, or service agency.

SMOKER HOOD

When it's not protecting your Fire Magic® gas grill from the elements, your new smoker hood will greatly expand your grilling repertoire. Now you will be able to roast, bake, and smoke foods, adding the special flavor and tenderness that only slow cooking in a closed oven can produce (see below for installation information).

Installation of your gourmet smoker hood on your Fire Magic® grill couldn't be simpler. First, remove the cooking grids from the grill. Then place the oven in the grill without the grids, making sure that the left and right side brackets slide into the slots on both sides of the grill. Next insert the reinforcement screws into the bracket on either side of the grill to secure the smoker hood to the unit. Now place the rear portion of the warming rack into the warming rack hanging brackets and slide the stabilizer bar into the allotted space adjacent to the screws used to secure the unit. Finally replace the grids inside the oven. You're done!

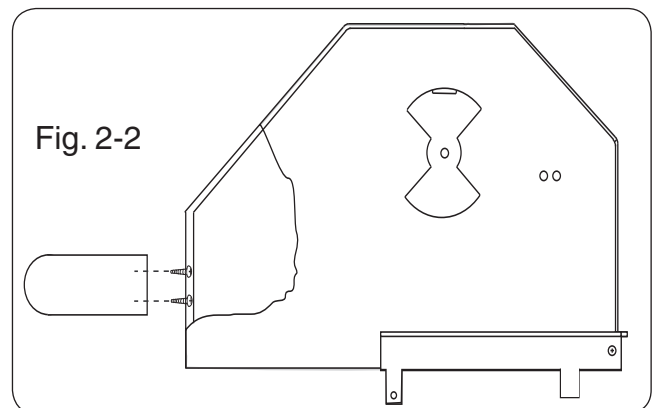


Maintenance of the gourmet stainless steel charcoal grill w/smoker hood is just as simple. Occasionally apply a few drops of light household oil to the hinges to keep them working smoothly.

Clean all surfaces with **Fire Magic® foaming grill and grill cleaner** or any household oven cleaner, following the manufacturer's instructions for porcelain or stainless steel. Never use acid chemicals to clean porcelain or glass surfaces.

For thorough cleaning, the oven handle assembly may be removed (see Fig. 2-2).

For stainless steel restoration and finish maintenance, see the instructions enclosed with Fire Magic® products for stainless steel.



USING THE GOURMET STAINLESS STEEL CHARCOAL GRILL w/SMOKER HOOD

1. Remove the cooking grids and pile your charcoal on the charcoal pan(s). Avoid spillage.
2. Follow the instructions supplied with your charcoal/fuel for lighting.
3. Use the access door to add or spread out your coals while cooking.
4. Turning the crank handle raises or lowers the pan to increase or decrease the grilling heat as you desire.

WARNING

All surfaces of the charcoal unit become HOT during use. Exercise caution when using this unit, especially when adding charcoal or cranking the charcoal pan up or down.

EXHAUST REMOVAL

If installed under a patio roof, the grill area should be fully covered by a non-combustible chimney and exhaust hood. An exhaust fan with a rating of 1,000 CFM or more is necessary to efficiently remove smoke and other cooking by-products from the covered area.

Installation in a fully covered area of any kind is not recommended.

FIRE MAGIC® STAINLESS-STEEL CHARCOAL GRILL LIMITED WARRANTY

FIVE-YEAR WARRANTY - Fire Magic® stainless steel charcoal grills (excluding the charcoal pan and ash tray) are warranted for five (5) years from the date of purchase of your Fire Magic® charcoal grill.

ONE-YEAR WARRANTY - Fire Magic® charcoal pan and ash trays are each warranted for one (1) year from the date of purchase of your Fire Magic® charcoal grill.

PLEASE KEEP A COPY OF YOUR SALES SLIP FOR PROOF OF PURCHASE

This warranty applies to the original purchaser and to single family residential use only. It commences from date of purchase, and is valid only with proof of purchase.

This warranty does not cover parts becoming defective through misuse, accidental damage, electrical damage, improper handling, storage, and/or installation. Product must be installed (and gas must be connected) as specified in the instructions or operator's manual, by a **qualified professional installer**. Accessories, parts, valves, remotes, etc., when used must be Peterson Co. product.

This warranty **does not** apply to rust, corrosion, oxidation, or discoloration, unless the affected component becomes inoperable. It **does not** cover labor or labor-related charges.

This warranty specifically excludes liability for **indirect, incidental**, or consequential damages. Some states do not allow the exclusion or limitation of incidental or consequential damages, so the above exclusion may not apply to you. This warranty gives you specified legal rights, and you may have other rights that may vary from state to state.

For additional information regarding this warranty, or to place a warranty claim, contact the R.H. Peterson dealer where the product was purchased.

ROBERT H. PETERSON CO.

Quality Check

Date: _____

Model #: _____

Serial #: _____

Inspector: _____