

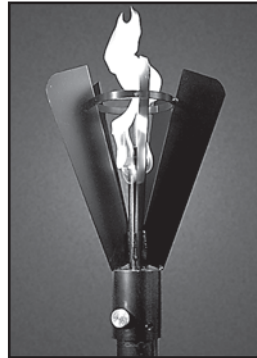
Owner Manual/Assembly Instructions

Red Dragon Patio Lights



NOTE: Unpack and inspect for damage. Retain this information sheet for future reference.

Check with local natural gas or propane supplier for ordinances, requirements, etc. prior to installation of your new Patio Light. Check all gas connections prior to lightup, ensuring a safe and operative unit.



Cylinder not included!

FOR YOUR SAFETY...

DO NOT use this Patio Light in areas where gasoline or other flammable liquids are stored or used. Intended for outdoor use only.

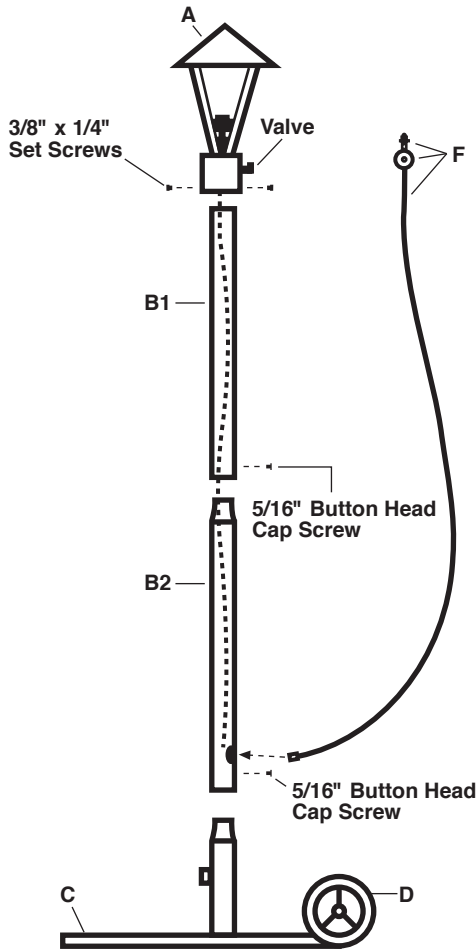
WARNING

Temperatures near Patio Light Head will ignite combustible materials. Use only on level and stable surfaces. Keep Patio Lite Head at least 6' away from any combustible materials.

ALWAYS

- Visually inspect Patio Light prior to each use. Ask a qualified service person to inspect hose assembly annually for evidence of abrasion, wear or cuts. Replace hose assembly if any of these conditions are present.
- Read all instructions and warnings contained in this manual.
- Follow procedures step by step.

ASSEMBLY INSTRUCTIONS FOR PORTABLE PATIO LIGHTS



Part Numbers

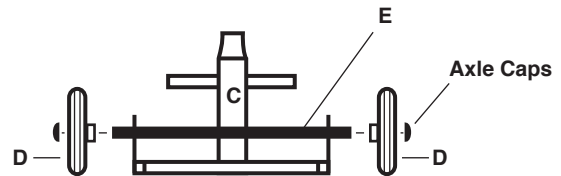
PT 300-6 C
 PT 301-6 C
 PT 302-6 C
 PT 311-6 C
 PT 411-6 C

Parts List

A. Patio Light Head w/ valve
 B1. Upper Post Section
 B2. Lower Post Section w/ Cuff
 C. Cart Frame
 D. Cart Wheels (2)
 E. Axle
 F. Hose, Regulator and POL

Package Includes: Owner Manual/Assembly Instructions, Cylinder Strap, Axle Caps (2), 3/8 inch x 1/4 inch long set screws (2), 5/16 inch button head cap screws (2) and allen wrench.

You will need: Hammer & an adjustable end wrench.



Cart Rear View

allen wrench. Place assembled post and head into post cuff of cart frame (C). Be sure to align the set screw hole. Gently pull hose through exit hole to prevent kinking. Insert button head cap screw and tighten with allen wrench.

1. Remove parts from carton and check against parts list. If all parts are not located please call our toll free number - 1-800-255-2469.
2. Assemble axle (E) and both wheels (D) on cart frame (C). Be sure extended side or hub of wheel (D) is toward cart frame (C). Place axle caps on outside of wheels. Firmly tap axle caps with hammer.
3. Feed the 3/8 inch female flare fitting of hose through the hole in the side of the lower post section (B2) and on through the upper post section (B1). Connect 3/8 inch female flare fitting to the 3/8 inch male flare fitting located on the Patio Light head (A). Tighten the connection with a wrench (no need for tape or pipe compound).
4. Insert upper post section (B1) into Patio Light head collar. Insert 3/8 inch x 1/4 inch set screws (2) tighten securely with allen wrench. Insert lower post section (B2) into upper post section (B1) making sure to align set screw hole. Insert 5/16 inch button head cap screw and tighten with
5. Position cylinder on cart frame (C) and secure with enclosed strap. Attach inlet fitting (P.O.L.) to cylinder. This is a left handed fitting and requires no pipe compound. **CLOSE HEAD VALVE.** Head valve must be turned clockwise to be in an off position. Using soapy water, open cylinder valve slowly and check all connections for gas leaks. Correct any leaks before using. This testing procedure should be done once a month.

LIGHTING INSTRUCTIONS

Turn all valves to an off position. Head valve must be turned clockwise to be in an off position. Open source/cylinder valve slowly, open head valve *slightly* and light with a long grill or fireplace lighter. Adjust to desired flame using head valve. **DO NOT LEAVE UNATTENDED.** When Patio Light is not in use, be sure source/cylinder valve is closed.

ASSEMBLY INSTRUCTIONS FOR PERMANENT PATIO LIGHTS

Part Numbers

PT 300-6 PM
 PT 301-6 PM
 PT 302-6 PM
 PT 311-6 PM
 PT 411-6 PM

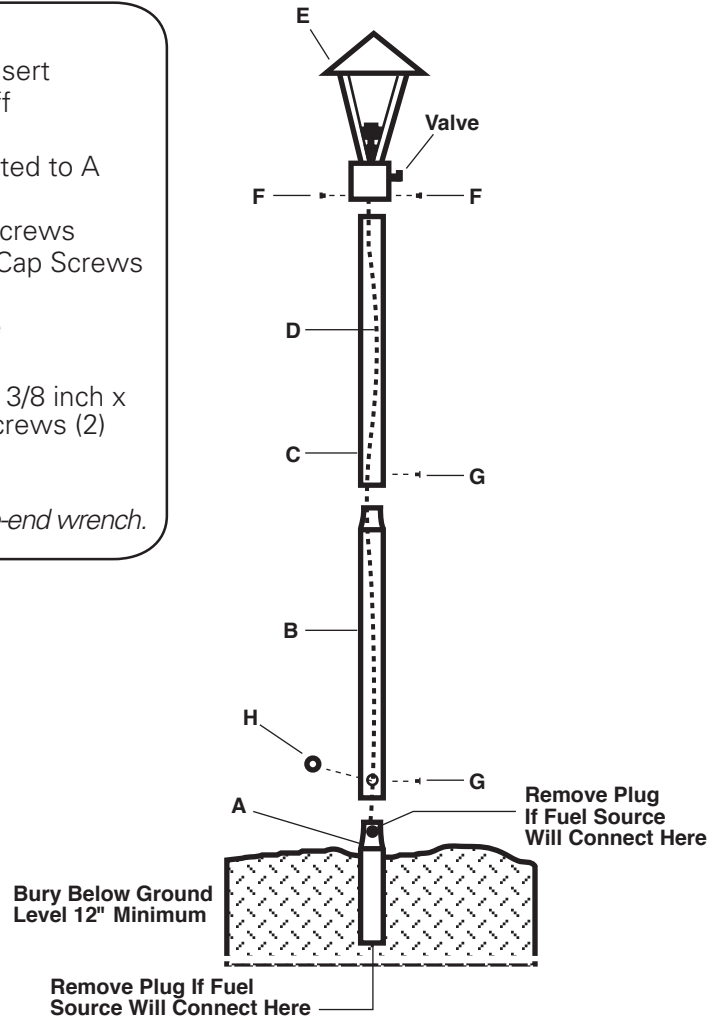
Parts List

A. Patio Light Base w/ Pipe Insert
 B. Lower Post Section w/ Cuff
 C. Upper Post Section
 D. Fuel Supply Hose - connected to A
 E. Patio Light Head w/valve
 F. (2) 3/8 inch x 1/4 inch Set Screws
 G. (2) 5/16 inch Button Head Cap Screws
 H. Rubber Grommet
 I. (2) Pipe Compound Capsule

Package Includes: Owner Manual/Assembly Instructions, 3/8 inch x 1/4 inch long set screws (2), 5/16 inch button head cap screws (2) and allen wrench.

A 3/16 inch allen wrench is provided. You will need an adjustable-end wrench.

1. Remove all parts from carton and check against parts list. If all parts are not located please call our toll free number - 1-800-255-2469.
2. The Patio Light base (A) is manufactured with two supply line inlets. Please choose either the side or bottom supply line as your fuel inlet and remove the plug accordingly in order to connect to gas supply. The rubber grommet (H) provided, will protect the fuel line should you decide to use the side supply inlet. Be certain to use thread compound provided on gas supply connection. Section (A) should be set in concrete a minimum of 12 inches for maximum stability. Please allow sufficient time for concrete to set and cure.
3. When concrete is dry and the base section (A) is secure, proceed with Patio Lite assembly. Feed fuel supply hose (D) through lower post section (B). Connect lower post section (B) to base section (A) and tighten with 5/16 inch button head cap screw (G) provided.
4. Feed fuel supply hose (D) through upper post section (C). Insert lower post section (B) into upper post section (C) making sure to align the set screw hole. Insert 5/16 inch button head cap screw (G) and tighten with allen wrench provided.
5. Connect fuel supply hose (D) to Patio Light head (E). No pipe compound is necessary on this connection as this is a flare fitting. Tighten with wrench.
6. Insert upper post section (C) into Patio Light head collar (E). Insert the 3/8 inch x 1/4 inch set screws (F) and tighten with allen wrench provided.



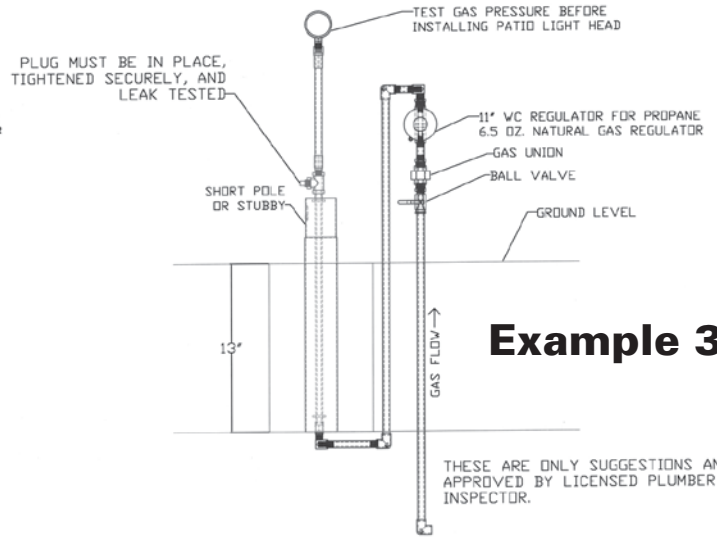
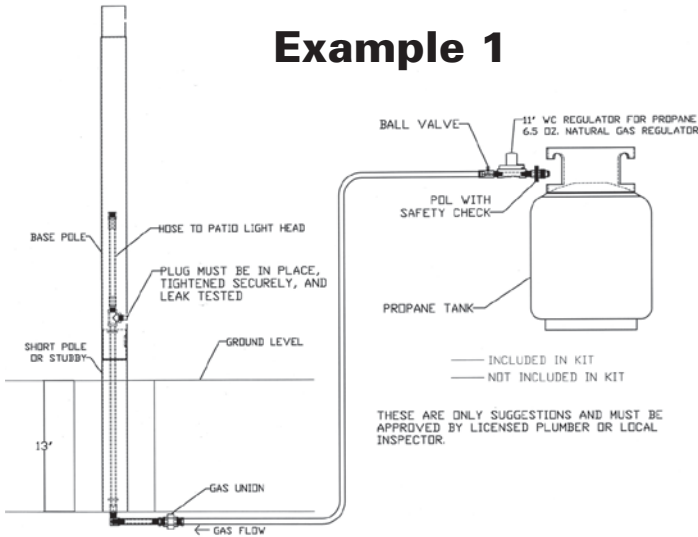
7. When installation is complete, open gas supply valve and test all gas connections with soapy water before lighting. Do not use a match or open flame to check for leaks. Correct all leaks and test with soapy water before lighting. **SEE THE BACK PAGE FOR INSTALLATION PLUMBING EXAMPLES.**

LIGHTING INSTRUCTIONS

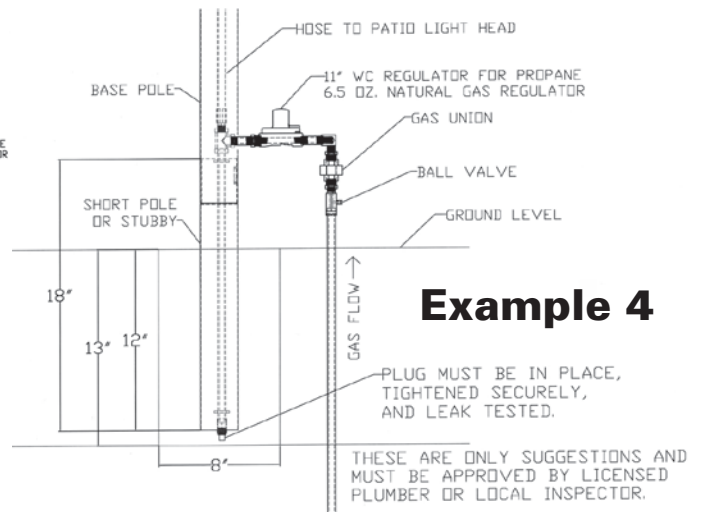
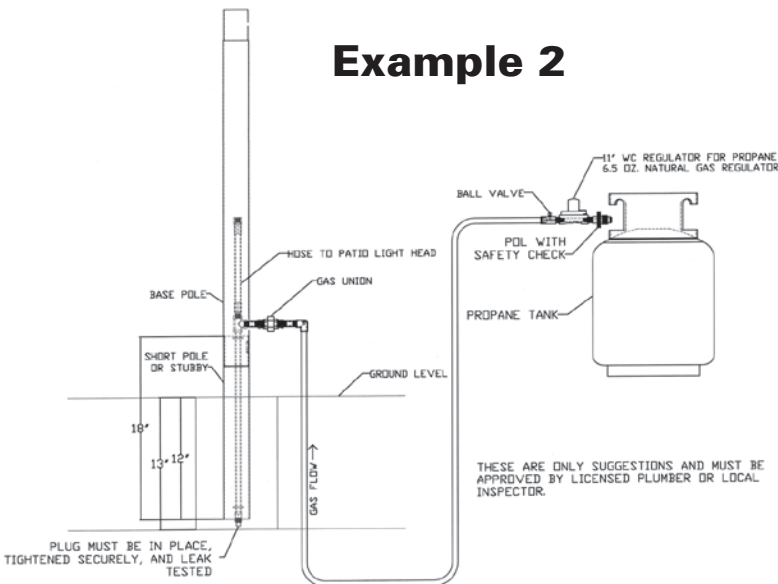
Turn all valves to an off position. Head valve must be turned clockwise to be in an off position. Open source/cylinder valve slowly, open head valve *slightly* and light with a long grill or fireplace lighter. Adjust to desired flame using head valve. **DO NOT LEAVE UNATTENDED.** When Patio Light is not in use, be sure source/cylinder valve is closed.

PERMANENT PATIO LIGHTS INSTALLATION SUGGESTIONS:

Example 1



Example 2



ALWAYS

- This Patio Light is designed and intended for outdoor use only.
- **DO NOT** place under a covered or enclosed patio or the eaves of your home.
- **DO NOT** place under low hanging trees or close to evergreens or shrubs.
- **DO NOT** move, handle or service Patio Light while it is in operation or hot.
- **DO NOT** allow children to play on or around the Patio Light. It could cause a fire or bodily burns. Place in a low traffic area.
- **DO NOT** leave unattended. Close gas valves when unattended or not in use.
- Installation must comply with all applicable codes.
- Patio Light must be set level and comply with minimum clearance of 6' from all sides.
- Using soapy water, check all gas connections for leaks and test function of all moving parts. Perform these checks and tests prior to initial use and after periodic use.
- Follow safety, maintenance and operating instructions contained in this owner manual.



8-2010