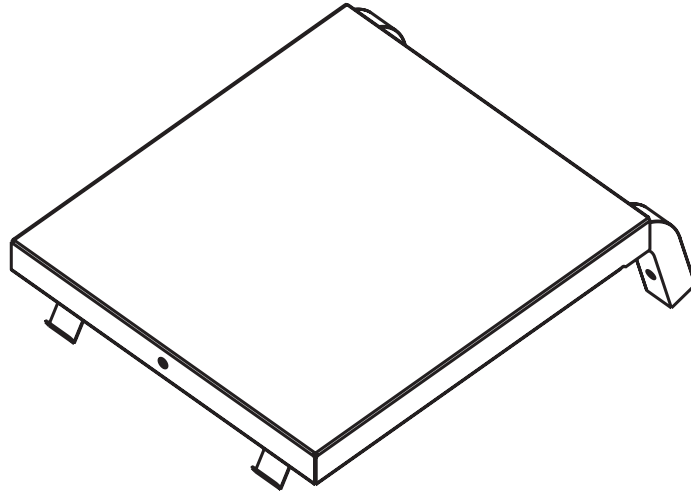




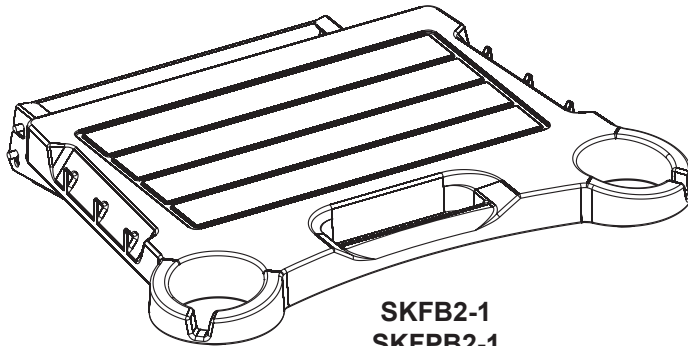
BROILMASTER[®] **PREMIUM GAS GRILLS**

STATIONARY SIDE SHELF KIT



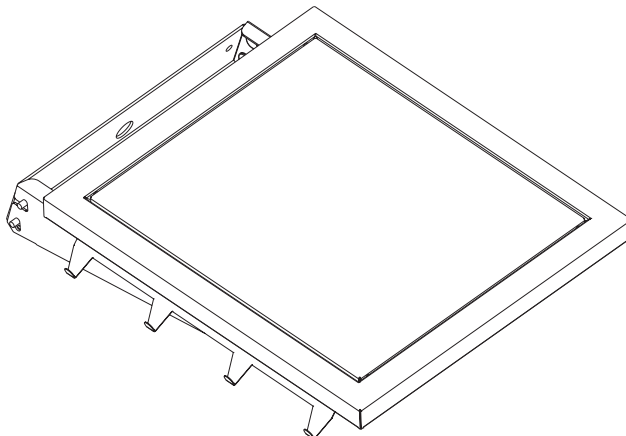
SKSS2-1

SOLID SURFACE DROP-DOWN SHELF KIT



SKFB2-1
SKFPB2-1

STAINLESS STEEL DROP-DOWN SHELF KIT



DPA153-1

RETAIN OWNER'S MANUAL FOR FUTURE REFERENCE.

IMPORTANT INFORMATION

Thank you for choosing a Broilmaster Premium Gas Grill. This shelf kit has been designed to fit perfectly and function flawlessly – to provide years of service.

Please read the entire manual and compare the parts list to the parts provided with this kit before you begin the installation. If this shelf kit is missing any parts, contact your Broilmaster dealer. Keep this manual in a safe place to help you identify and order repair parts if they are ever required.

This manual covers the SKSS2 stationary shelf the SKFPB2, SKFB2 and DPA153 folding shelves. Refer to the illustration for your shelf, and follow the instructions carefully.

NOTE: These side shelves are designed to support approximately 25 pounds. Exceeding this weight limit may cause damage and void the warranty.

CAUTION: Parts may have sharp edges. Wear leather work gloves and handle parts carefully.

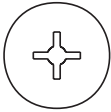
To order repair parts, contact your Broilmaster dealer. See the dealer locator at www.broilmaster.com. When ordering parts, please have the following information available: Grill Model Number, Shelf Model Number, Part Number and Description, and Quantity or Parts needed.

Tools Required

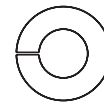
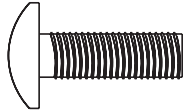
- Phillips Screwdriver
- 7/16-inch Socket and Ratchet or 7/16-inch Nut Driver

HARDWARE PACKAGES

SKSS2-1 HARDWARE PACKAGE CONTENTS



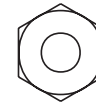
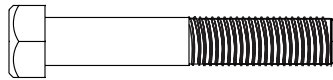
PHILLIPS TRUSS HEAD SCREW 1/4-20 X 3/4 - QTY 1



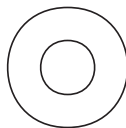
1/4 ID X 1/2 OD LOCK WASHER - QTY 2



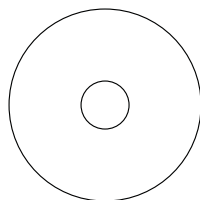
HEX HEAD SCREW 1/4-20 X 1 1/2 - QTY 2



1/4-20 HEX NUT - QTY 2



1/4 ID X 5/8 OD FLAT WASHER - QTY 2



1/4 ID X 1 OD FLAT WASHER - QTY 2

HARDWARE PACKAGES

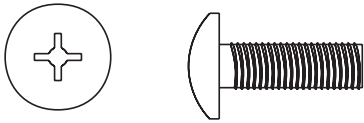
SKFB2-1 & SKFBP2-1 HARDWARE PACKAGE CONTENTS



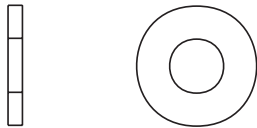
PHILLIPS SCREW 10-16 X 3/4 - QTY 4



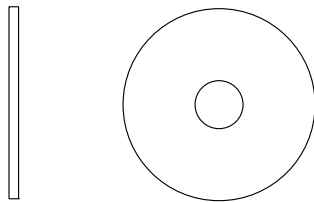
PHILLIPS SCREW 10-16 X 1/2 SELF DRILL - QTY 2



PHILLIPS TRUSS HEAD SCREW 1/4-20 X 3/4 - QTY 2



1/4 ID X 5/8 OD FLAT WASHER - QTY 2



1/4 ID X 1 OD FLAT WASHER - QTY 2



1/4 ID X 1/2 OD LOCK WASHER - QTY 2



1/4-20 HEX NUT - QTY 2

DPA153 HARDWARE PACKAGE CONTENTS



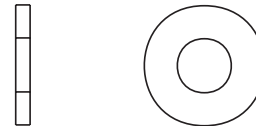
PHILLIPS SCREW 1/4-20 X 1/2 SELF DRILL - QTY 4



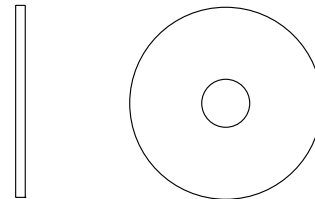
PHILLIPS SCREW 10-16 X 1/2 SELF DRILL - QTY 4



PHILLIPS TRUSS HEAD SCREW 1/4-20 X 3/4 - QTY 2



1/4 ID X 5/8 OD FLAT WASHER - QTY 2



1/4 ID X 1 OD FLAT WASHER - QTY 2



1/4 ID X 1/2 OD LOCK WASHER - QTY 2



1/4-20 HEX NUT - QTY 2

STATIONARY SIDE SHELF INSTALLATION

Stainless Steel Side Shelf

1. Remove the cooking grids, briquets and briquet rack from the grill.
2. Insert two 1/4-20 x 1 1/2 Hex Head Screws and two 1/4 x 5/8 Flat Washers through the Handle Shelf Bracket and into the two holes on the side of the grill. Do not overtighten.
3. Use two 1/4 X 1 washer, two 1/4 x 1/2 lock washers and two 1/4 x 20 Hex Nuts on the inside of the grill to secure the Handle Shelf Bracket to the grill.
4. Remove the protective plastic from the Tool Hook Bar and the Side Shelf.
5. Slide the Tool Hook Bar into the slot on the Side Shelf. Ensure the hooks on the bar face out.
6. Slide Side Shelf onto Handle Shelf Bracket. Secure with one 1/4-20 x 3/4 Phillips Truss Head Screw through the holes on the Side Shelf, Tool Hook Bar and Handle Shelf Bracket. Do not overtighten.

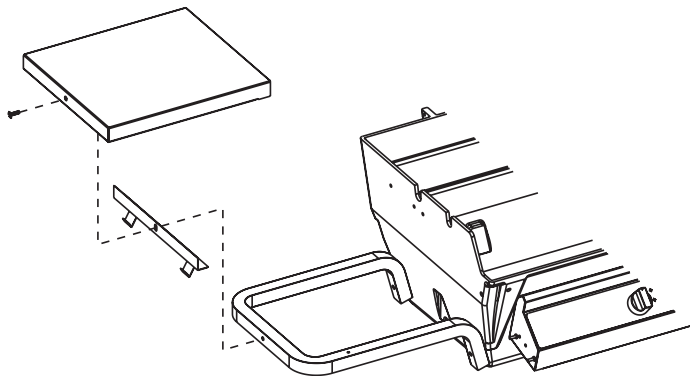
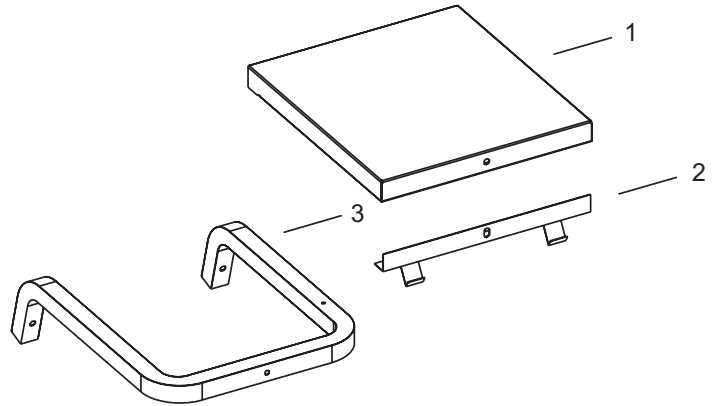


Figure 1



Index No.	Part No.	Description
1	B076727	SIDE SHELF
2	B073971	TOOL HOOK BAR
3	B101405	HANDLE SHELF BRACKET
NS	B101661	HARDWARE PACKAGE

NS - Not Shown

Figure 2

All repair part orders should be placed through your local Broilmaster dealer. To locate a dealer in your area, contact Broilmaster Customer Service • www.broilmaster.com. To ensure prompt and accurate service, please provide the following information when placing a repair part order: Model Number of your grill, Part Name, Part Number, and Quantity of parts needed.

SOLID SURFACE DROP-DOWN SIDE SHELF INSTALLATION

Solid Surface Drop-Down Side Shelf

1. Remove the cooking grids, briquets and briquet rack from the grill.
2. Attach the Bracket Attach Assembly to the grill using two 1/4-20 x 3/4" Phillips Truss Head Screws and two 1/4 x 5/8" Flat Washers to the side of the grill. From the inside of the grill, secure the Attach Bracket Assembly with two 1/4 x 1" Flat Washers, two 1/4 x 1/2" Lock-Washers and two 1/4 x 20 Hex Nuts. Note: Ensure that the Bracket Attach Assembly is installed so that the match light access hole is on the bottom. See Figure 2.

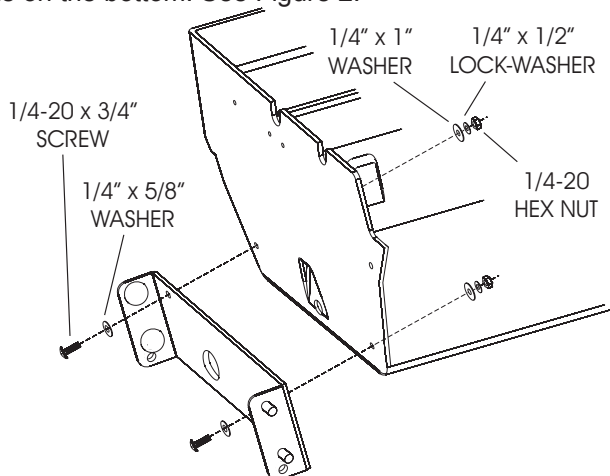
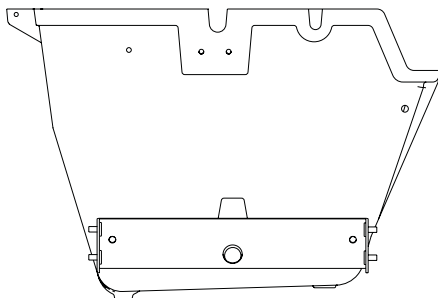
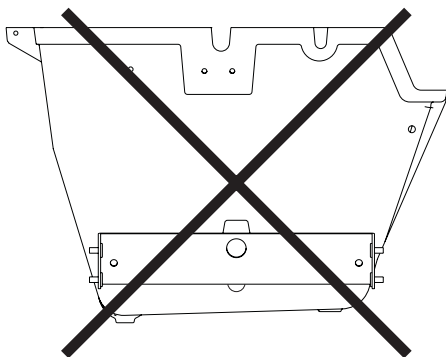


Figure 1



Correct Bracket Alignment



Incorrect Bracket Alignment

Figure 2

3. Remove protective plastic from the two support Brackets.
4. Secure the Support Brackets to the bottom of the side shelf with four 10-16 x 3/4" Phillips screws.

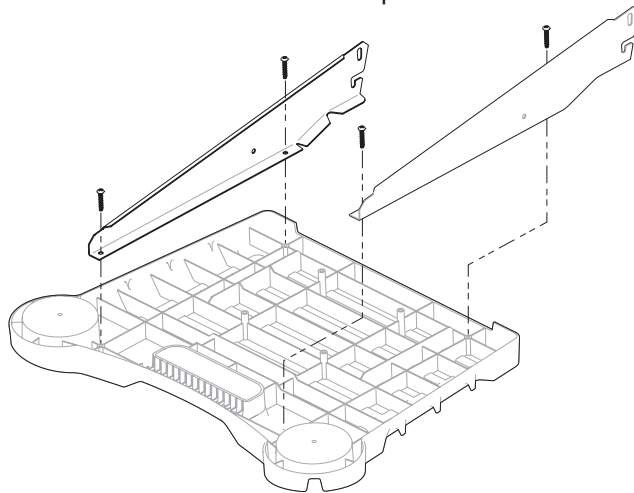


Figure 3

5. Place shelf support stiffener between the two support brackets. Secure with two 10-16 x 1/2" Phillips Self Drill Screws. Do not tighten screws at this time.

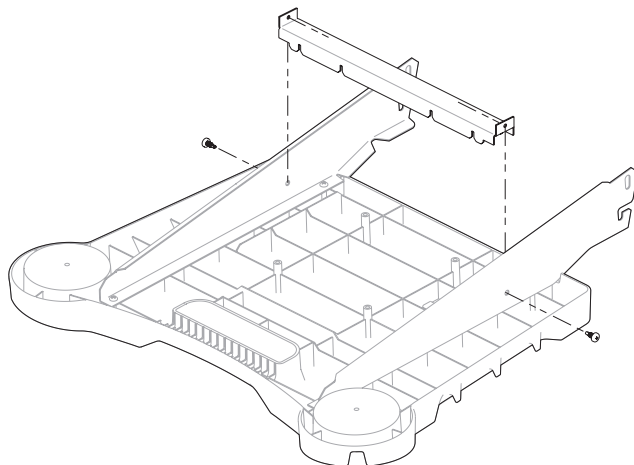


Figure 4

6. Hang the side brackets on the lower pins of the Bracket Attach Assembly. Tighten the two 10-16 x 1/2" phillips screws from step 5. See Figure 4.

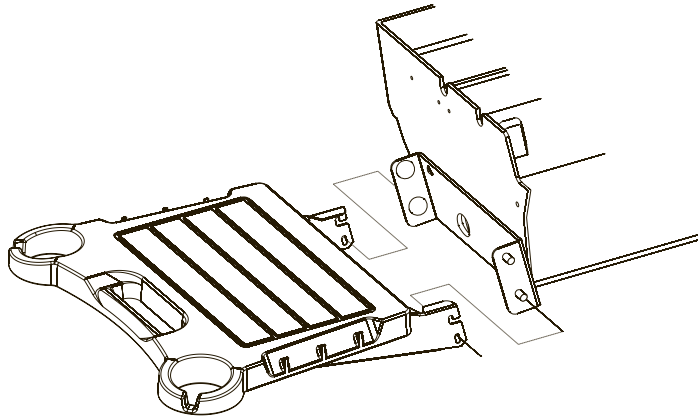
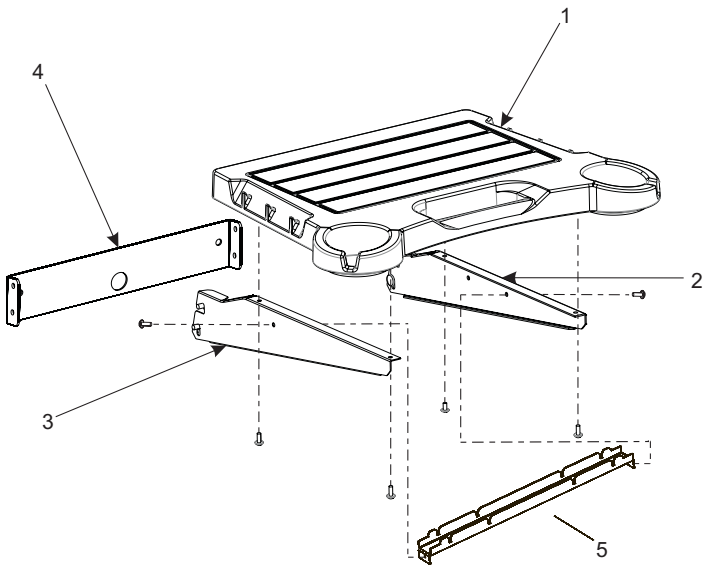


Figure 5

SOLID SURFACE DROP-DOWN SIDE SHELF INSTALLATION



Index No.	Part No.	Description
1	B100561	Side Shelf
2	B100568	Support Bracket Front - Stainless Steel
2	B100559	Support Bracket Front - Black
3	B100569	Support Bracket Back - Stainless Steel
3	B100560	Support Bracket - Back - Black
4	B101968	Bracket Attach Assembly
5	B100993	Shelf Support Stiffener
NS	B101658	Hardware Pack

NS - Not Shown

All repair part orders should be placed through your local Broilmaster® dealer. To locate a dealer in your area, contact Broilmaster Customer Service • www.broilmaster.com. To ensure prompt and accurate service, please provide the following information when placing a repair part order: Model Number of your grill, Part Name, Part Number, and Quantity of parts needed.

STAINLESS STEEL DROP-DOWN SIDE SHELF INSTALLATION

Stainless Steel Drop-Down Side Shelf

1. Remove the cooking grids, briquets and briquet rack from the grill.
2. Attach the Bracket Attach Assembly to the grill using two 1/4-20 x 3/4" Phillips Truss Head Screws and two 1/4 x 5/8" Flat Washers to the side of the grill. From the inside of the grill, secure the Attach Bracket Assembly with two 1/4 x 1" Flat Washers, two 1/4 x 1/2" Lock-Washers and two 1/4 x 20 Hex Nuts. Note: Ensure that the Bracket Attach Assembly is installed so that the match light access hole is on the bottom. See Figure 7.

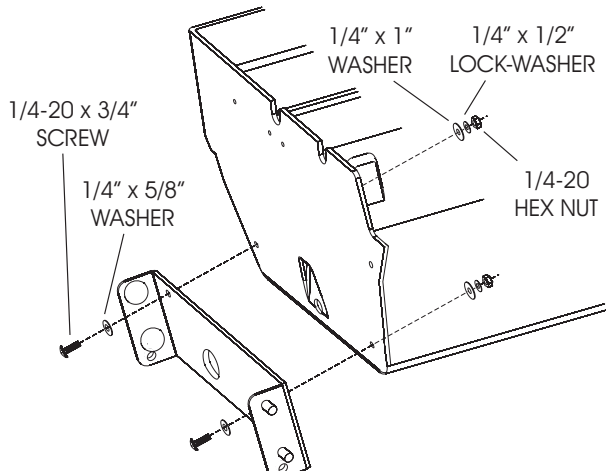
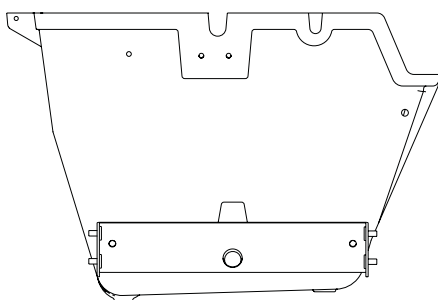
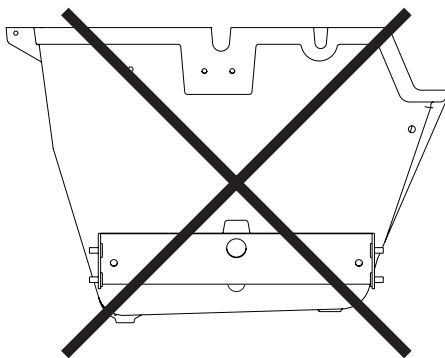


Figure 6



Correct Bracket Alignment



Incorrect Bracket Alignment

Figure 7

3. Remove protective plastic from the two support brackets, frame and center shelf.
4. Secure the two support brackets to the bottom of the side shelf frame with four 1/4-20 x 1/2" screws. Leave the two front screws loose. See Figure 8.
5. Insert the tool hook bar in front between the frame and the support brackets as shown in Figure 8. Tighten the remaining two screws from step 4.

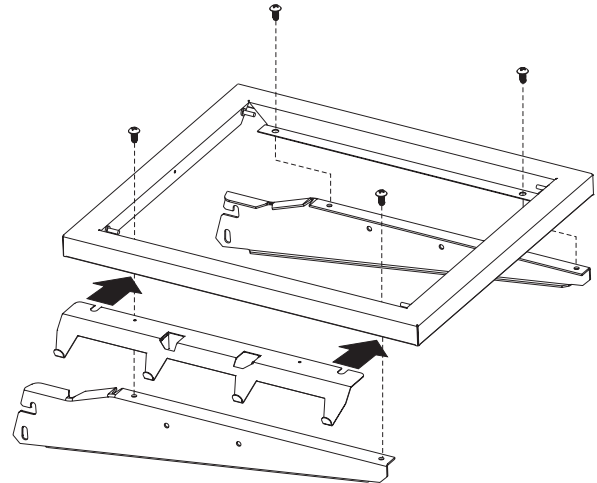


Figure 8

6. From the top side insert the shelf lid on the four pins in the center of the shelf frame. From the bottom side secure with two 10-16 x 1/2" Phillips self drill screws. See Figure 9.
7. Place the shelf support stiffener between the two support brackets. Secure with two 10-16 x 1/2" Phillips self drill screws. Do not tighten at this time. See Figure 9.
8. Hang the side shelf support brackets on the lower pins of the bracket attach assembly. Tighten the two 10-16 x 1/2" Phillips self drill screws from step 7. See Figure 9.

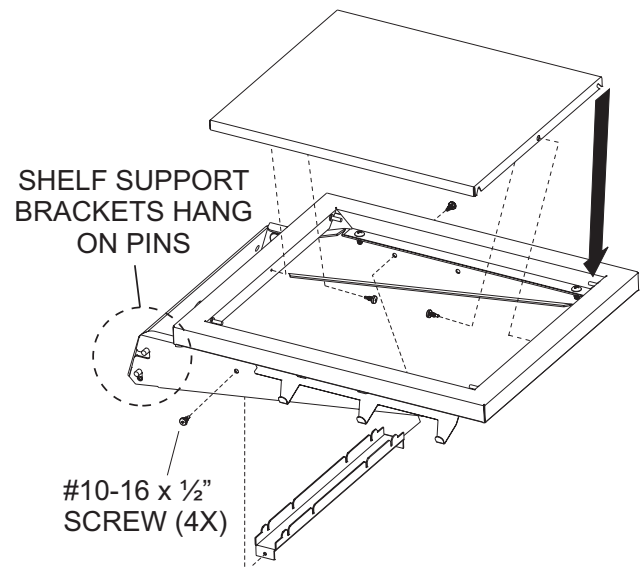
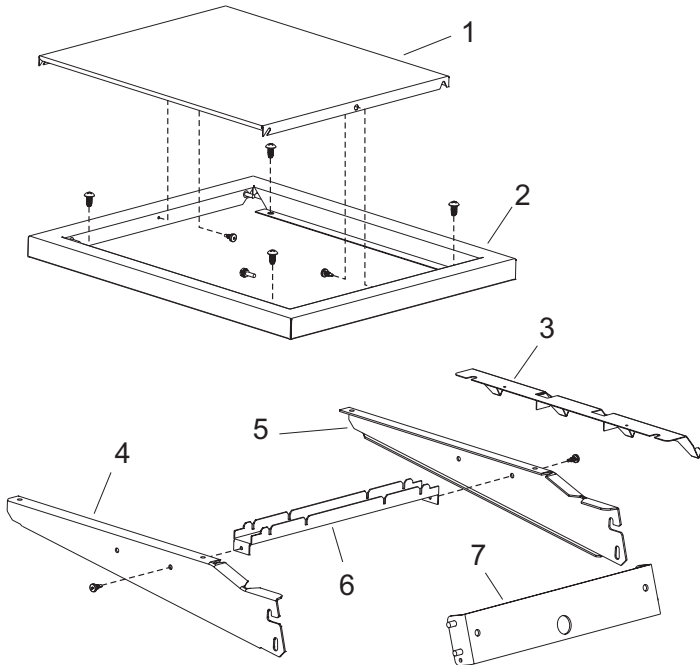


Figure 9

STAINLESS STEEL DROP-DOWN SIDE SHELF INSTALLATION



Index No.	Part No.	Description
1	B101929	Shelf Lid
2	B101930	Shelf Frame
3	B101925	Tool Hook Bracket
4	B100568	Support Bracket - Front
5	B100569	Support Bracket - Back
6	B100993	Shelf Stiffener
7	B101968	Bracket Attach Assembly
NS	B101974	Hardware Pack

NS - Not Shown

All repair part orders should be placed through your local Broilmaster® dealer. To locate a dealer in your area, contact Broilmaster Customer Service • www.broilmaster.com. To ensure prompt and accurate service, please provide the following information when placing a repair part order: Model Number of your grill, Part Name, Part Number, and Quantity of parts needed.



BROILMASTER®

A Division of Empire Comfort Systems, Inc.

918 Freeburg Ave.

Belleville, Illinois 62220

VISIT OUR WEB SITE AT www.broilmaster.com

If you have a general question about our products, please e-mail us at info@empirecomfort.com.

If you have a service or repair question, please contact your dealer.