

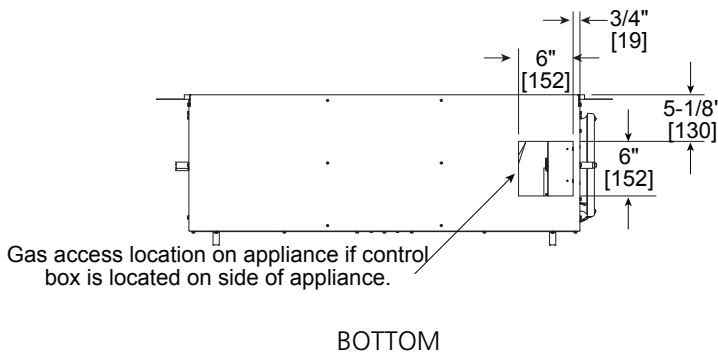
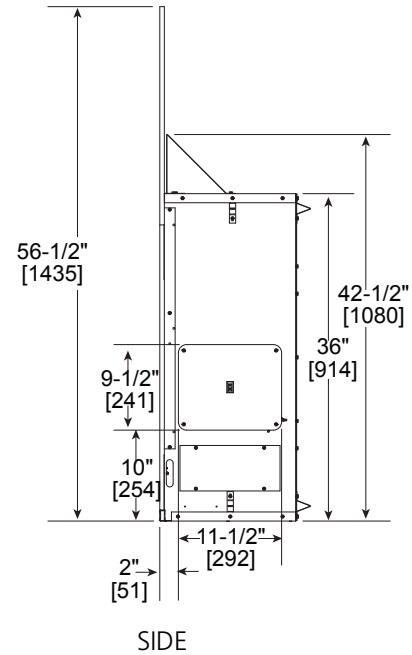
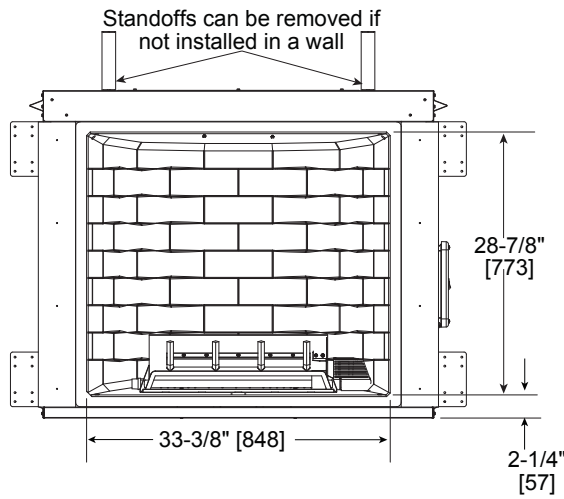
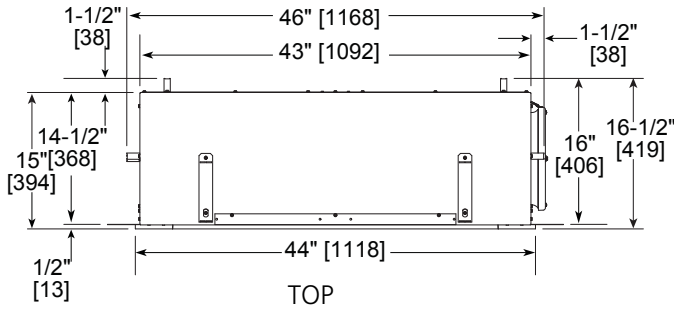


Please consult the manufacturer's installation manual for all details and requirements before making a final design layout decision.

Carolina 36

Outdoor Gas Fireplace

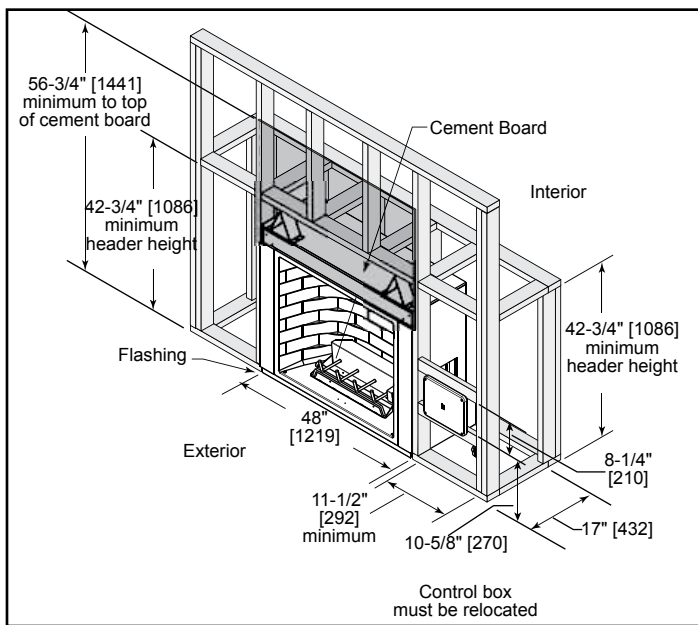
MODEL	FRONT WIDTH		BACK WIDTH		HEIGHT Inside Fireplace		DEPTH		VIEWING AREA
	Actual	Framing	Actual	Framing	Actual	Framing	Actual	Framing	
CARODG36I-B	44	48	43	48	42-1/2	42-3/4	16-1/2	17	33-3/8 x 28-7/8



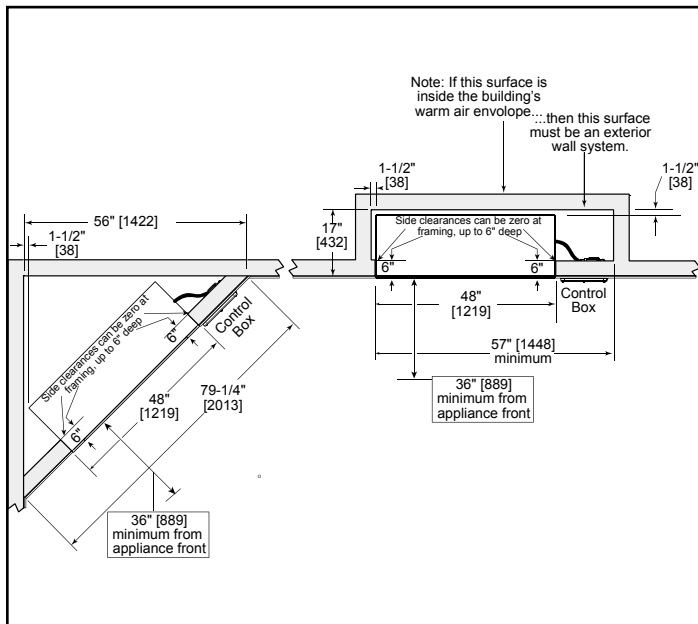
MINIMUM FIREPLACE CLEARANCES

AREA	TO COMBUSTIBLES (in inches)
CLEARANCE TO CEILING	82
COMBUSTIBLE/NON-COMBUSTIBLE FLOOR	0
FRONT OF APPLIANCE	36

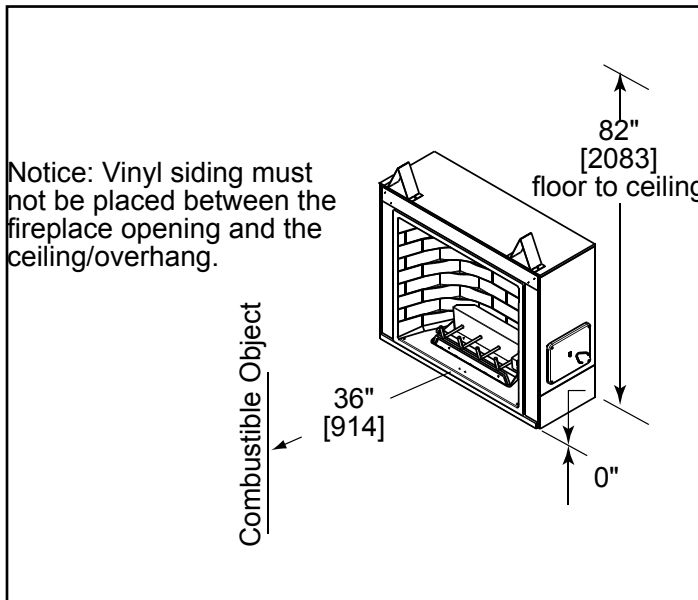
FRAMING DIMENSIONS



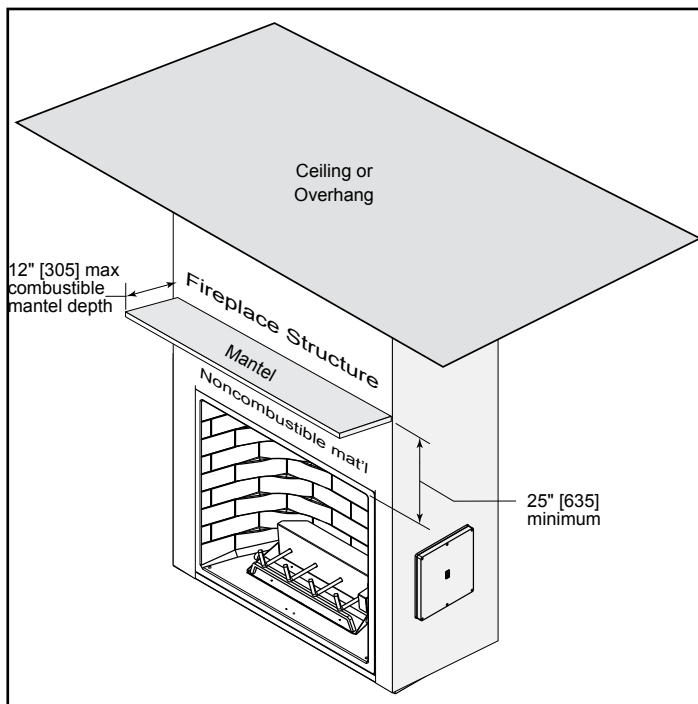
APPLIANCE LOCATION



CLEARANCES TO COMBUSTIBLES



MANTEL PROJECTIONS



PRODUCT LISTING CODES	
US	ANSI Z21.97-2008

Product information provided is not complete and is subject to change without notice. Product installation must adhere strictly to instructions accompanying product to avoid risk of fire and potential injury.

Additional information can be found online at www.fireplaces.com