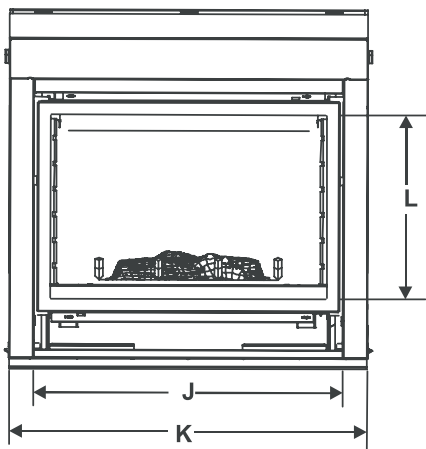
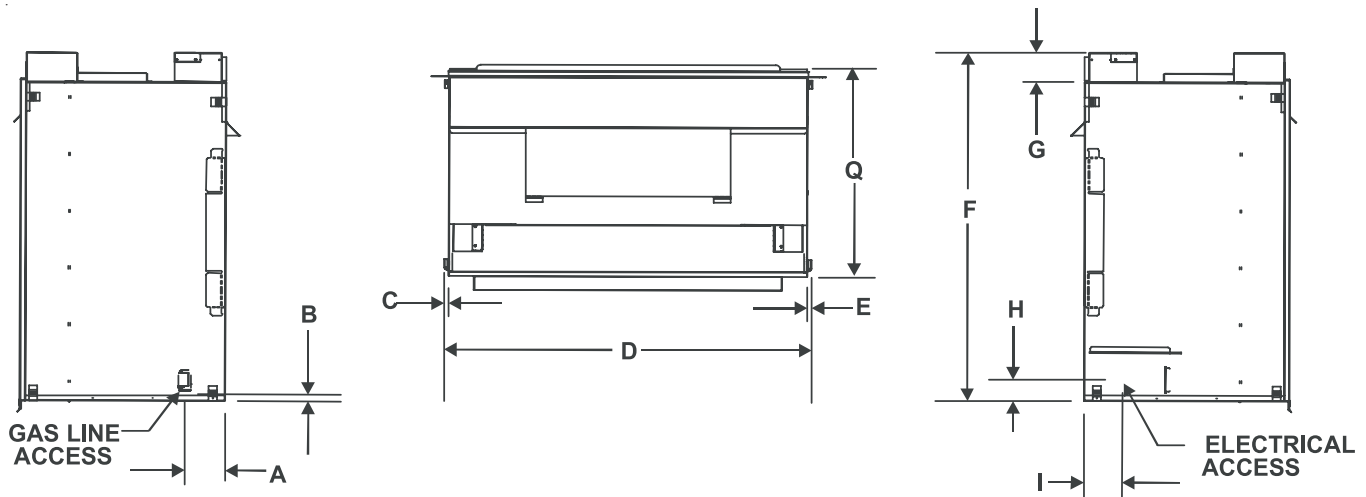


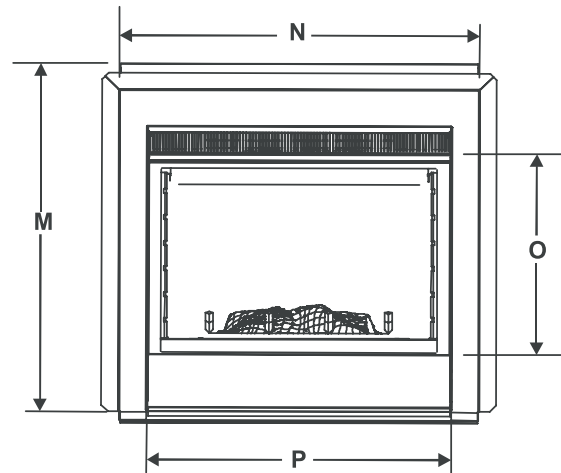
# TWILIGHT II

## INDOOR/OUTDOOR SEALED COMBUSTION SEE-THRU GAS FIREPLACE

\*Must be Installed on an Exterior Wall



INDOOR VIEW



OUTDOOR VIEW

Location	Inches	Millimeter	Location	Inches	Millimeter
A	4-3/4	121	J	36-1/4	919
B	3/4	20	K	41-7/8	1062
C	1/2	13	L	21-1/2	547
D	43	1091	M	40-3/4	1036
E	1/2	13	N	42-1/8	1070
F	40-3/4	1035	O	23-1/2	597
G	3-3/8	86	P	35-5/8	904
H	2-1/2	64	Q	24	610
I	4-1/2	114			